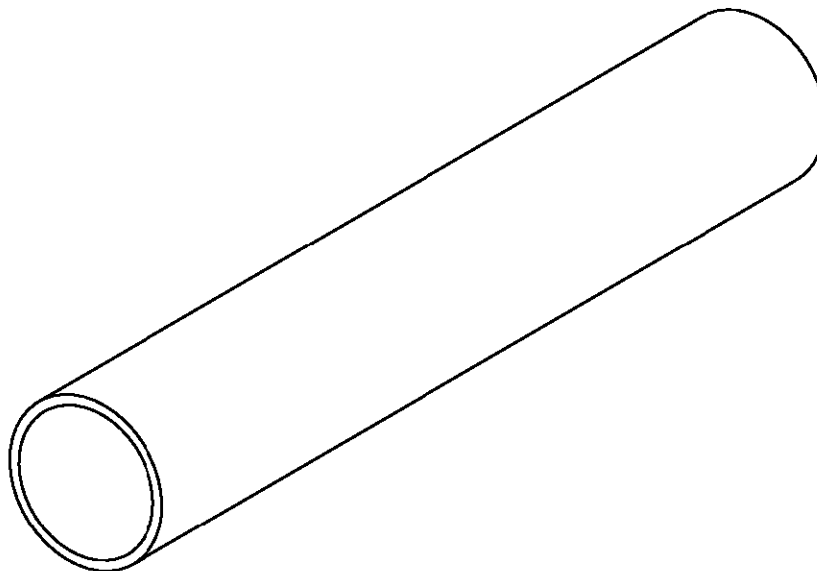


LOC	DIST	REVISIONS					
A1	-	P	LTR	DESCRIPTION	DATE	DWN	APVD
			A	EGCO-0137-03	19MAY03	ZA	-




FOR TOOL 539764-1

2003

RELEASED FOR PUBLICATION

THIS DRAWING IS UNPUBLISHED.

© COPYRIGHT 2003 BY TYCO ELECTRONICS CORPORATION. ALL RIGHTS RESERVED.

DIMENSIONS: mm	DWN	J. ZAJICEK	23MAR2004	MATERIAL		FINISH	-
	CHK	-		 tyco Electronics AMP GmbH D - 64625 Bensheim			
TOLERANCES UNLESS OTHERWISE SPECIFIED:	APVD	-					
0 PLC ±	PRODUCT SPEC	-		SIZE	CAGE CODE	DRAWING NO	RESTRICTED TO
1 PLC ±	APPLICATION SPEC	-		A 4	00779	C=5-1579007-9	-
2 PLC ±	WEIGHT	-		CUSTOMER DRAWING			
3 PLC ±				SCALE	5:1	SHEET	1 OF 1
4 PLC ±				REV A			
ANGLES ±°							