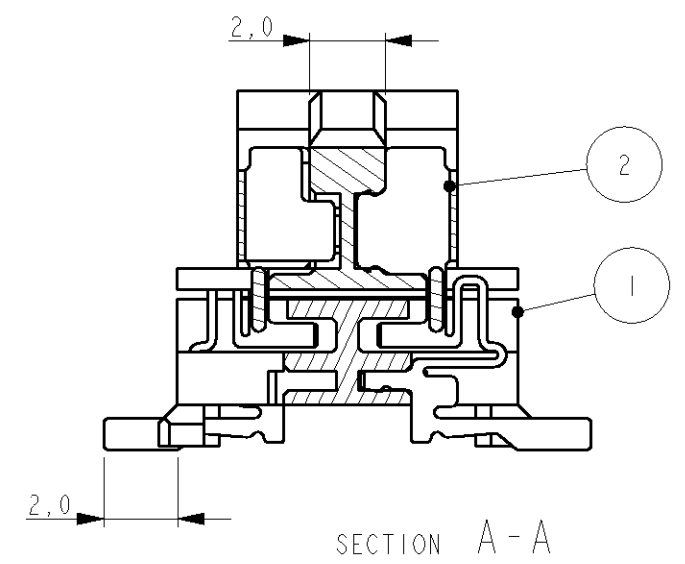
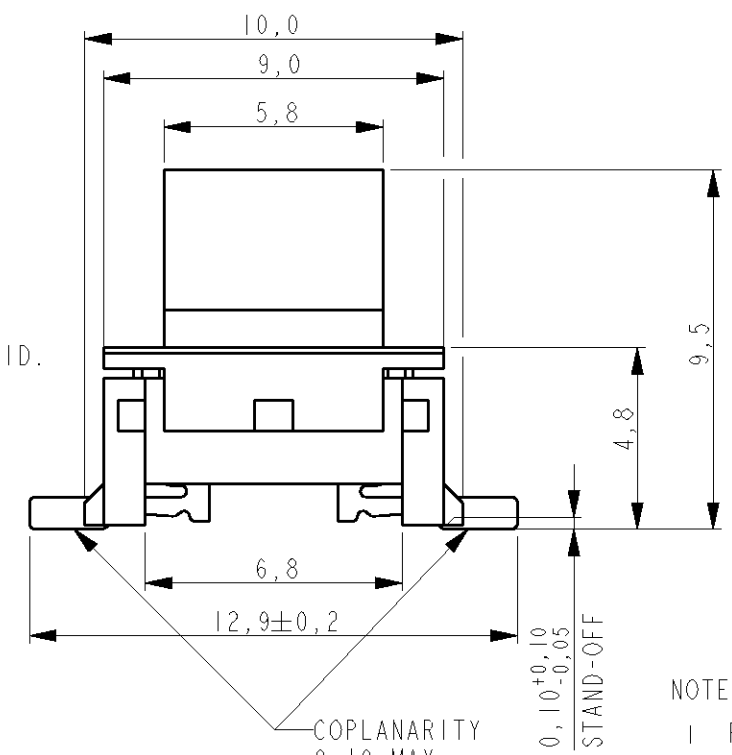
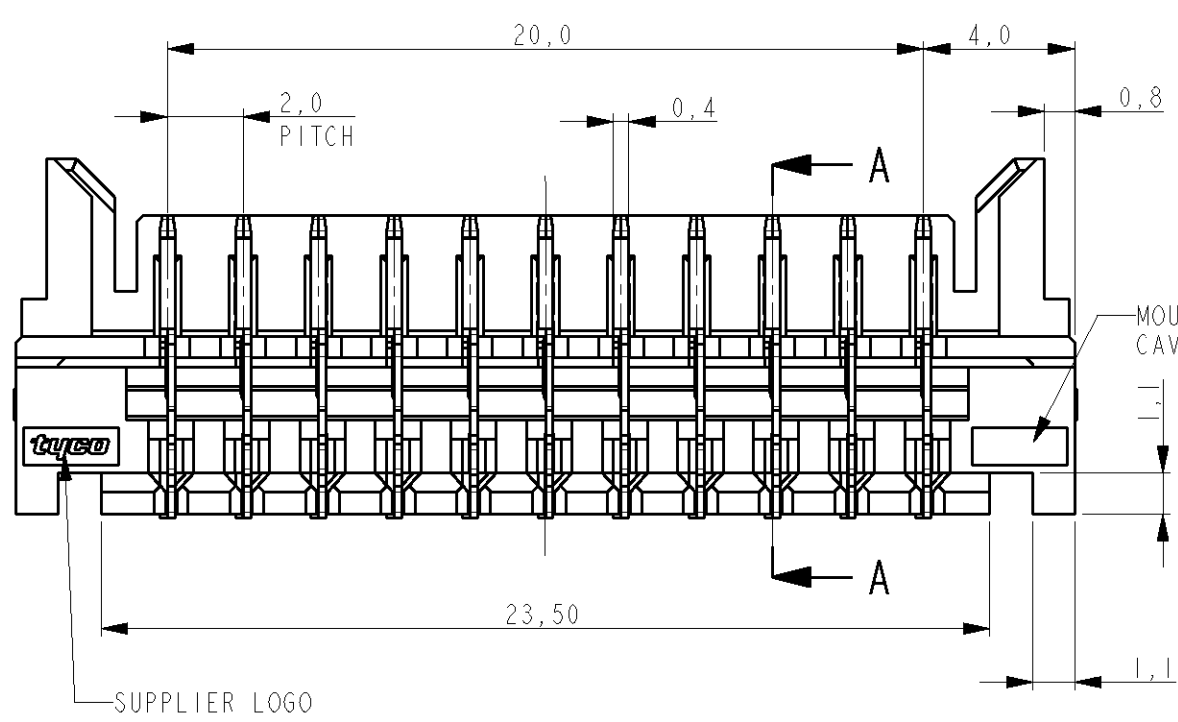
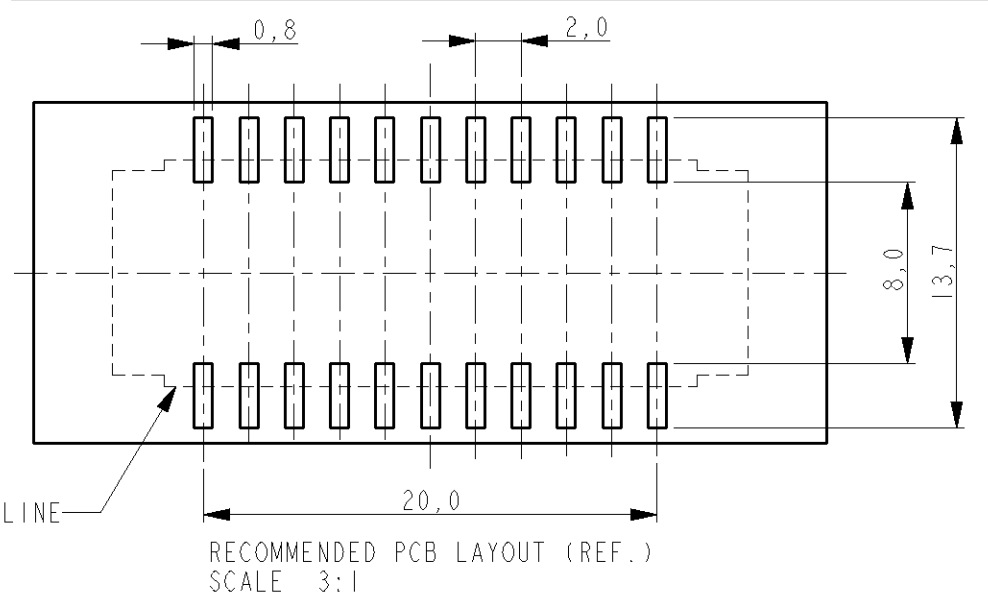
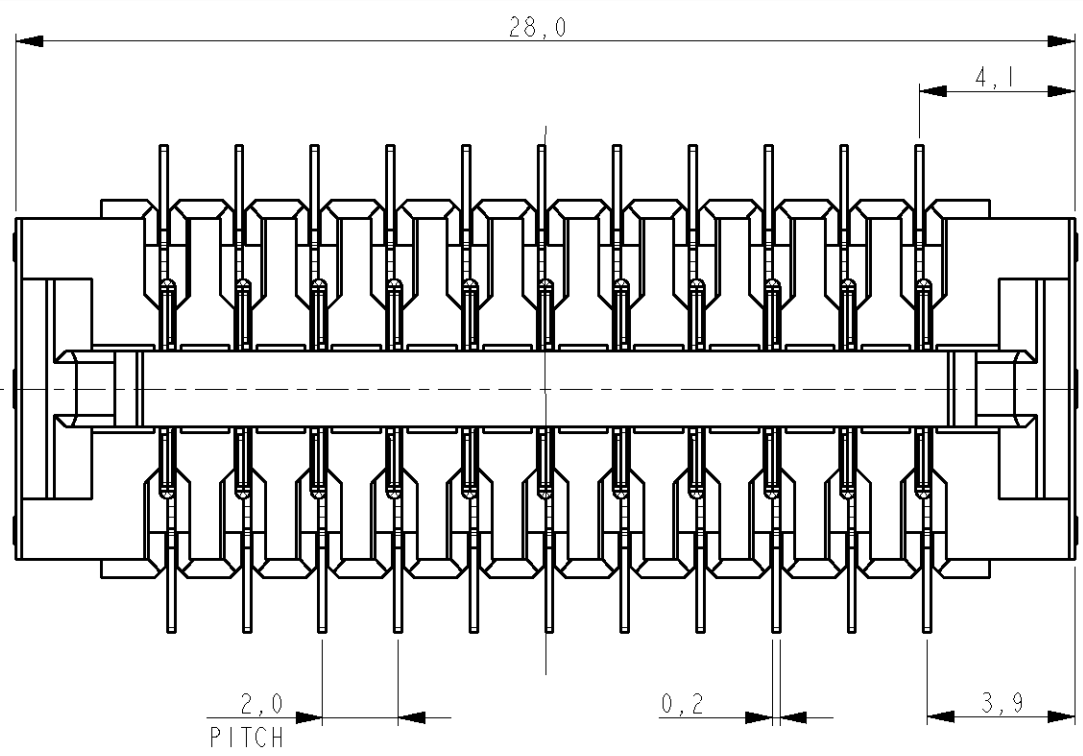
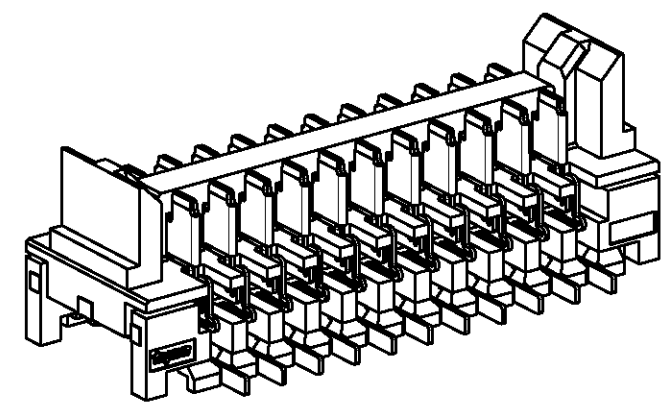


THIS DRAWING IS UNPUBLISHED. RELEASED FOR PUBLICATION
 © COPYRIGHT - BY TYCO ELECTRONICS CORPORATION. ALL RIGHTS RESERVED.

LOC	DIST	REVISIONS				
P	LTR	DESCRIPTION	DATE	DWN	APVD	
H	-	A	RELEASED FOR PRODUCTION	13DEC2006	WJ	RL
		B	ECR-07-019590	17AUG2007	JV	RL



NOTES:
 1 PACKAGING IN EMBOSS TAPE AND REEL ACCORDING EIA STANDARD 481-B.



SCALE 3:1

1857567-1 AS SHOWN

THIS DRAWING IS A CONTROLLED DOCUMENT FOR TYCO ELECTRONICS CORPORATION
 IT IS SUBJECT TO CHANGE AND THE CONTROLLING ENGINEERING ORGANIZATION
 SHOULD BE CONTACTED FOR THE LATEST REVISION.

DIMENSIONS:	TOLERANCES UNLESS OTHERWISE SPECIFIED:
mm	
0 PLC	±0,2
1 PLC	±0,1
2 PLC	±0,05
3 PLC	±0,025
4 PLC	±0,005
ANGLES	±2,0
MATERIAL	SEE TABLE
FINISH	-

ITEM NO.	DESCRIPTION	MATERIAL	FINISH
2	CONTACT	COPPER ALLOY (+/-0,2mm)	TIN PLATING
1	HOUSING	LIQUID CRISTAL POLYMER	BLACK

DWN	03-Mar-2006	Tyco Electronics Nederland BV 's-Hertogenbosch, The Netherlands	
CHK	03-Mar-2006		
APVD	03-Mar-2006		
	Jan Broeksteeg		
PRODUCT SPEC		NAME	2.0 A-F CONN. TAB ASSEMBLY SMD VERSION 22 POSITIONS
APPLICATION SPEC		SIZE	A3
WEIGHT		CAGE CODE	00779
CUSTOMER DRAWING		DRAWING NO	1857567
		RESTRICTED TO	-
		SCALE	5:1
		SHEET	1 OF 1
		REV	B