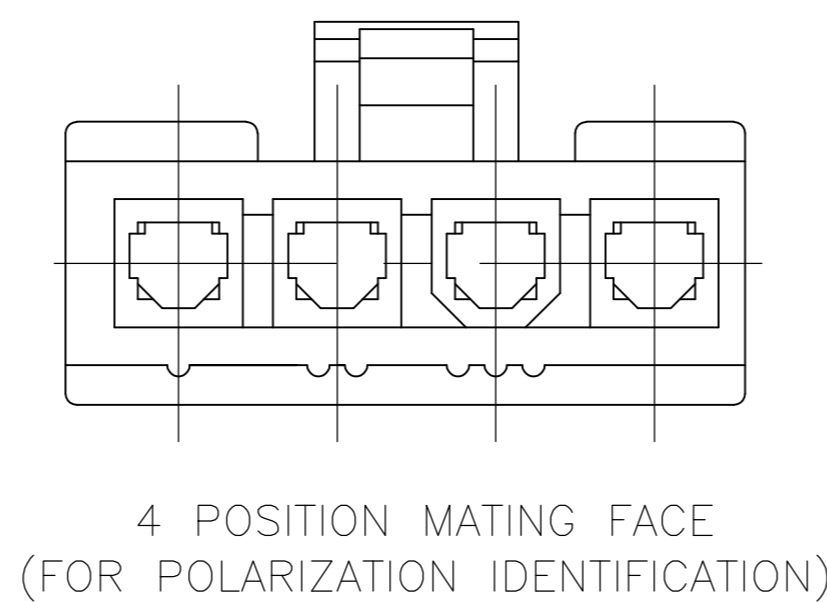
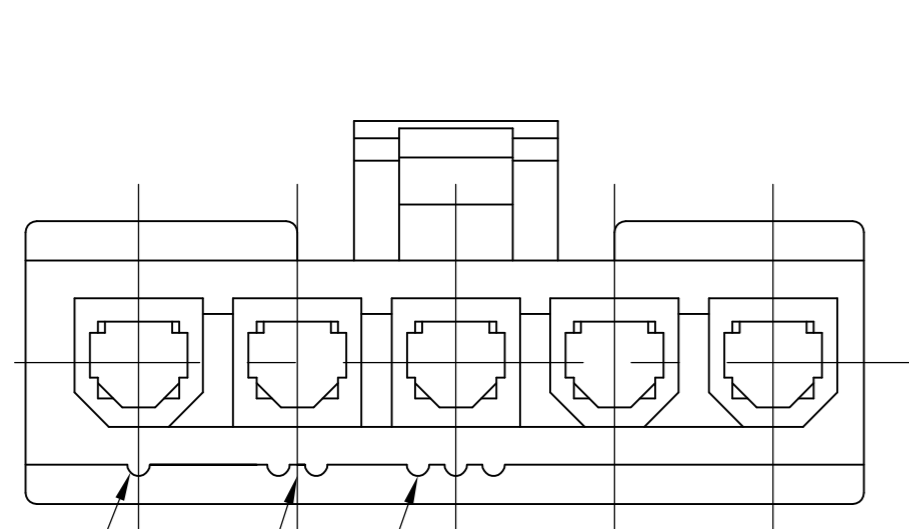
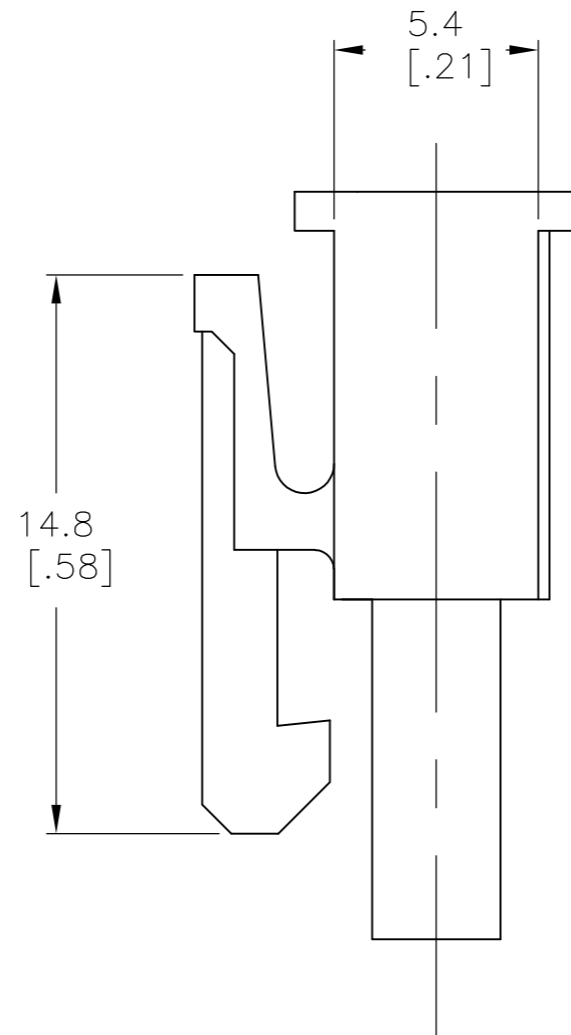
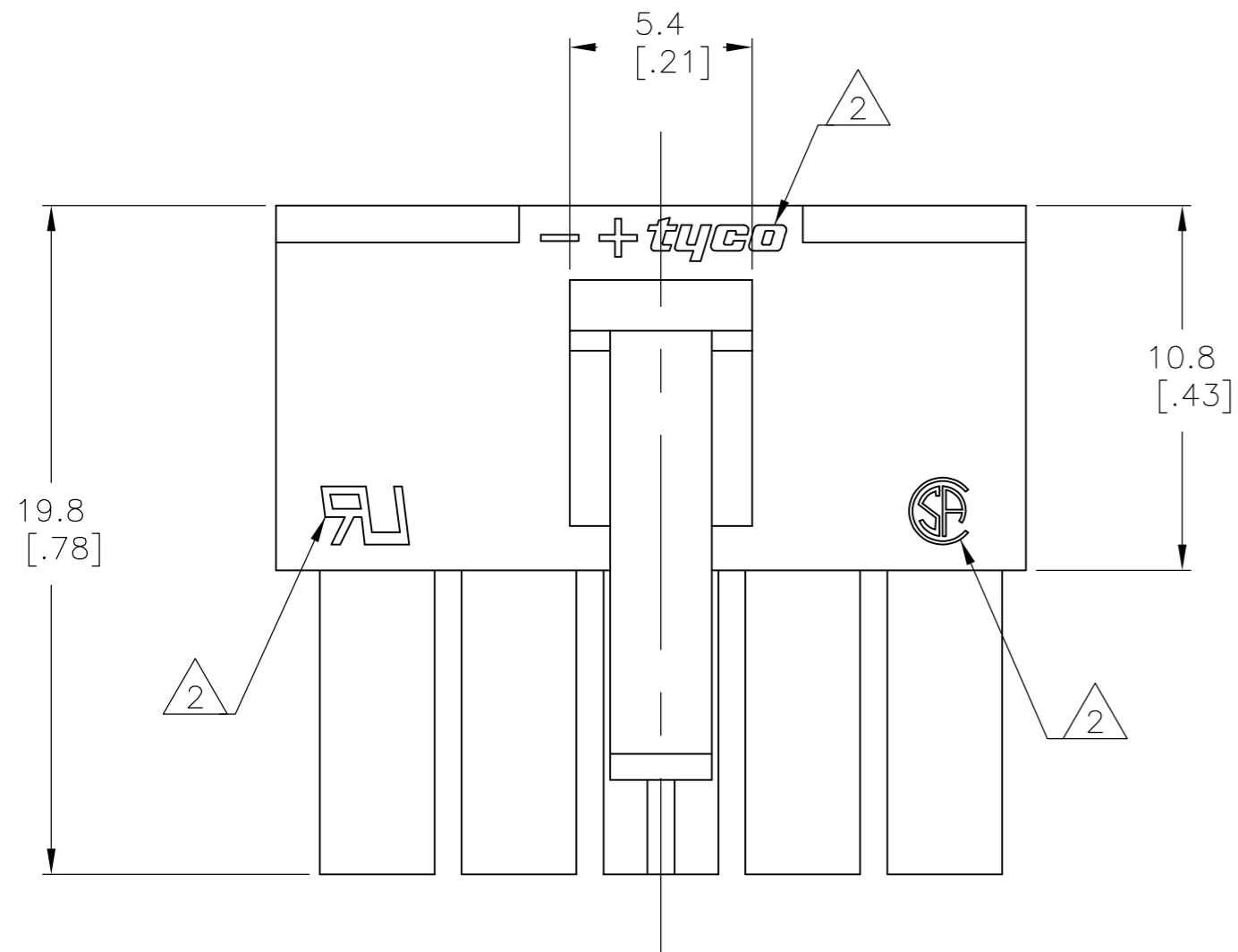
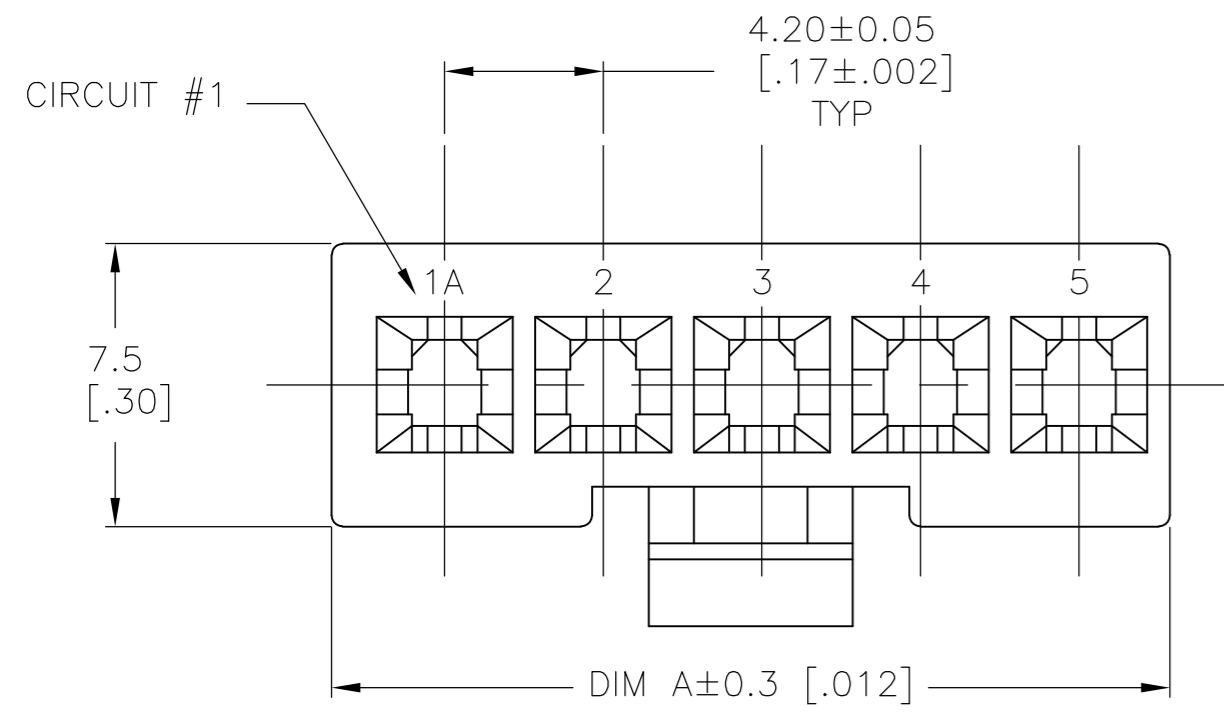


THIS DRAWING IS UNPUBLISHED. RELEASED FOR PUBLICATION
 © COPYRIGHT BY TYCO ELECTRONICS CORPORATION. ALL RIGHTS RESERVED.

LOC	DIST	REVISIONS					
CM	00	P	LTR	DESCRIPTION	DATE	DWN	APVD
		D		REVISED PER ECO-08-014350	10JUN08	HMR	CC



- 1 MATERIAL : NYLON 66 UL94V-2
- 2 TE LOGO, UL LOGO, AND CSA LOGO - SIZE, LOCATION, AND ORIENTATION OPTIONAL.

THIS DRAWING IS A CONTROLLED DOCUMENT.		DWN S. HOOVER 08SEP03	Tyco Electronics Corporation Harrisburg, PA 17105-3608	
DIMENSIONS: mm [INCHES]		CHK D. COLEY 08SEP03	NAME RECEPTACLE, SINGLE ROW, VAL-U-LOK(TM)	
TOLERANCES UNLESS OTHERWISE SPECIFIED:		APVD D. COLEY 08SEP03	SIZE A2	CAGE CODE 00779
0 PLC ± -	1 PLC ± 0.2 [.01]	PRODUCT SPEC -	DRAWING NO C=1586026	RESTRICTED TO -
2 PLC ± -	3 PLC ± -	APPLICATION SPEC -	SCALE 5:1	SHEET 1 of 1
4 PLC ± -	ANGLES ± -	WEIGHT -	CUSTOMER DRAWING	REV D
MATERIAL 1	FINISH -			

METRIC