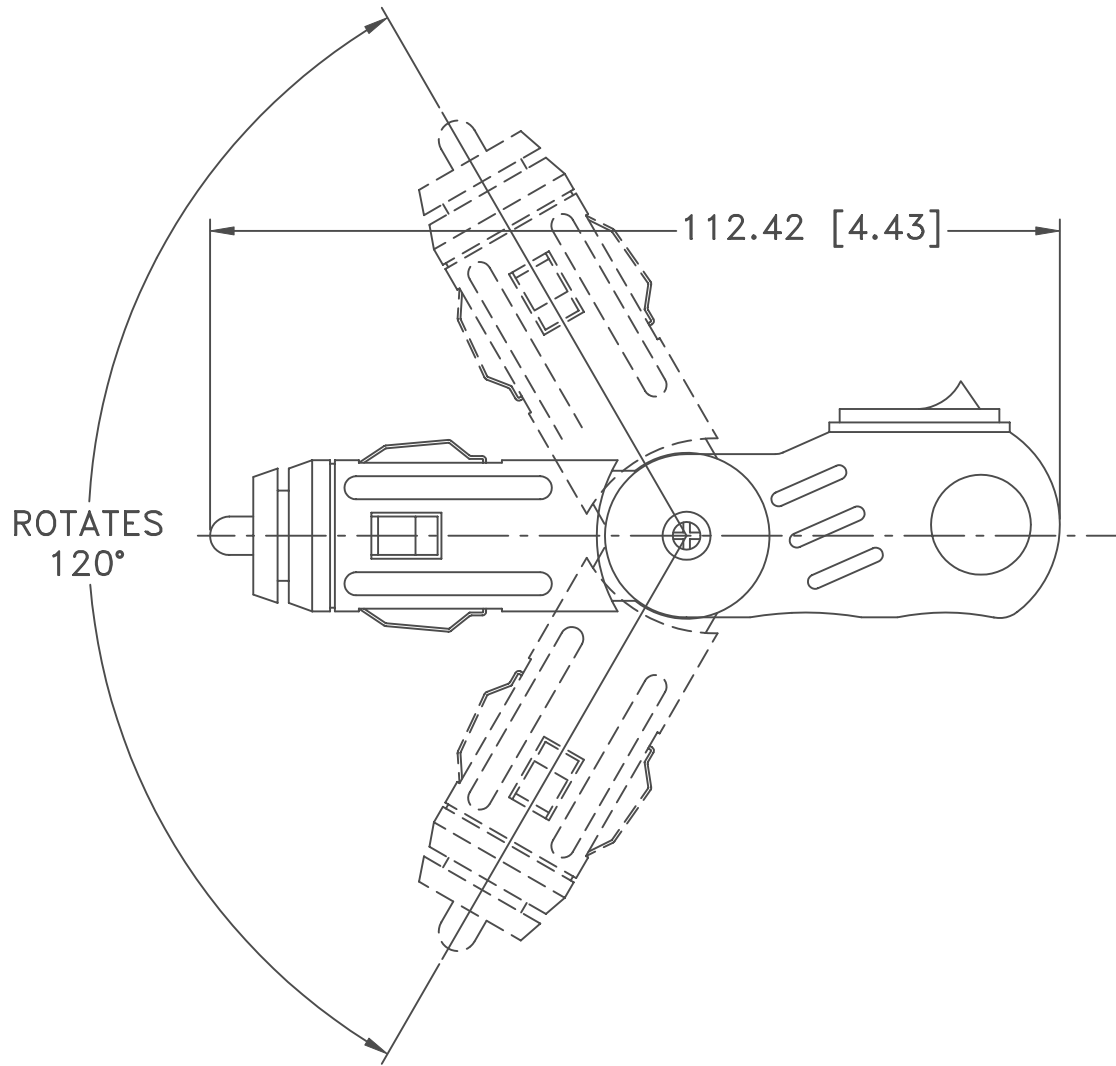



Date	SYM	REVISION RECORD	AUTH	DR.	CK.
11/15/03	A	ADDED SWITCH SPECIFICATION REVISED TITLE	T.B.	B.S.	



**SPECIFICATION:**

**BODY: HIGH IMPACT ABS, UL94V-0, FILE NO. E56070(S)**  
**COLOR: BLACK**  
**CENTER CONTACT: BRASS, NICKEL PLATED**  
**SLIDING CONTACTS: PHOS. BRONZE, NICKEL PLATED**  
**SPRING: SW70C, ZINC PLATED**  
**FUSE: 250V, 5 AMP, 3AG 6.35mm x 30mm (1/4" X 1 1/4")**  
**RATED AT 18 HOURS, CONTINUOUS DUTY**  
**10 AMP'S MAX WITH CORRECT FUSE.**  
**SWITCH: RED LED, 10 AMPS - 125 VOLTS**  
**OR 5 AMPS - 250 VOLTS**

Tolerance (Except as noted)	 <b>Memory Protection Devices, Inc</b> 200 Broad Hollow Road, Farmingdale, New York 11735		
decimal ±.5 (.020)			Scale
Fractional ± .8 (.030)	Title <b>LIGHTED ROTARY CIGARETTE PLUG WITH 10AMP SWITCH AND 5AMP FUSE</b>		
Angular ± 3°	Date 11/15/03	Drawing Number AP120	
		Approved By T.B.	