

4

3

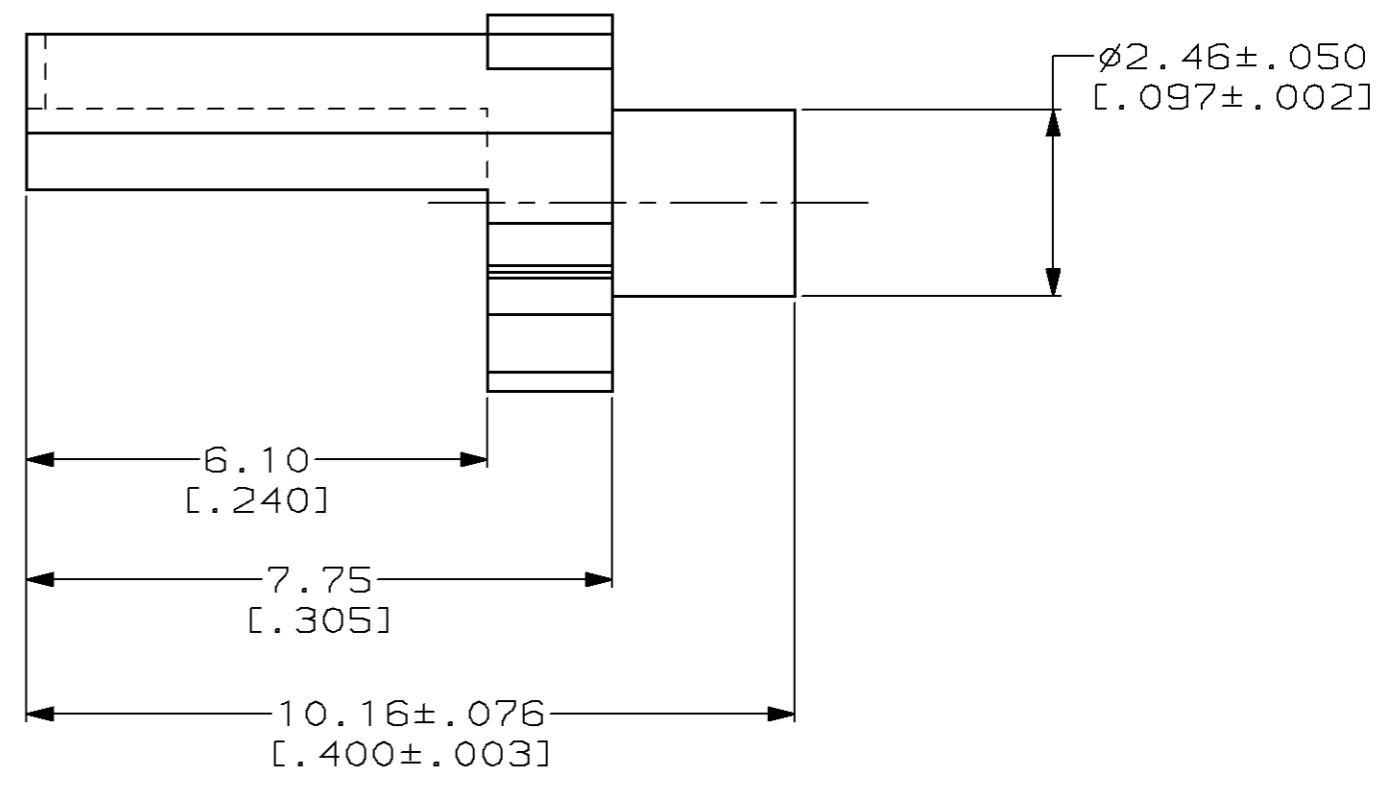
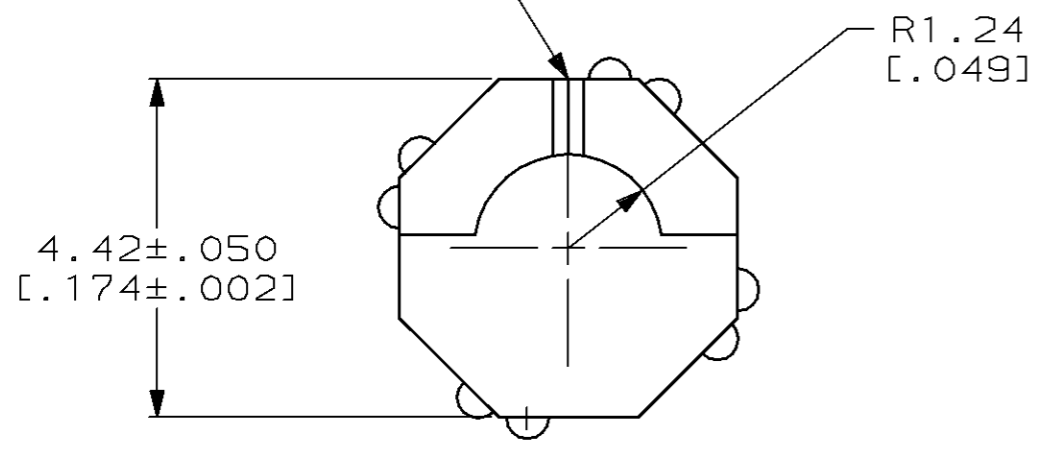
2

1

THIS DRAWING IS UNPUBLISHED. RELEASED FOR PUBLICATION, 19 .
 © COPYRIGHT 19 BY AMP INCORPORATED. ALL RIGHTS RESERVED.

LOC	DIST	REVISIONS			
P	LTR	DESCRIPTION	DATE	DWN	APVD
AD	25				
	A	REDRAWN PER ECN 1567-95	11-8-95	SH	DLH
	B	PER EC 0059-96	11-8-95	TS	JW

LOCATION INDICATOR



1 POLYESTER, COLOR: NATURAL.

THIS DRAWING IS A CONTROLLED DOCUMENT FOR AMP INCORPORATED. IT IS SUBJECT TO CHANGE AND THE CONTROLLING ENGINEERING ORGANIZATION SHOULD BE CONTACTED FOR THE LATEST REVISION.		DWN S. HAMPTON 11-8-95	AMP AMP Incorporated Harrisburg, PA 17105-3608
DIMENSIONS, mm [INCHES]		CHK D.L. HOFFMAN 11-8-95	
TOLERANCES UNLESS OTHERWISE SPECIFIED:		APVD -	NAME H.D.I. EXTERNAL KEY, INTERFERENCE FIT
0 PLC ±-		PRODUCT SPEC -	
1 PLC ±-		APPLICATION SPEC -	SIZE A3
2 PLC ±-		WEIGHT -	CAGE CODE 00779
3 PLC ±0.13 [.005]		MATERIAL 1	DRAWING NO 533874
4 PLC ±-			SCALE 10:1
ANGLES ±-		FINISH -	SHEET 1 OF 1
MATERIAL 1		FINISH -	REV B
CUSTOMER DRAWING			