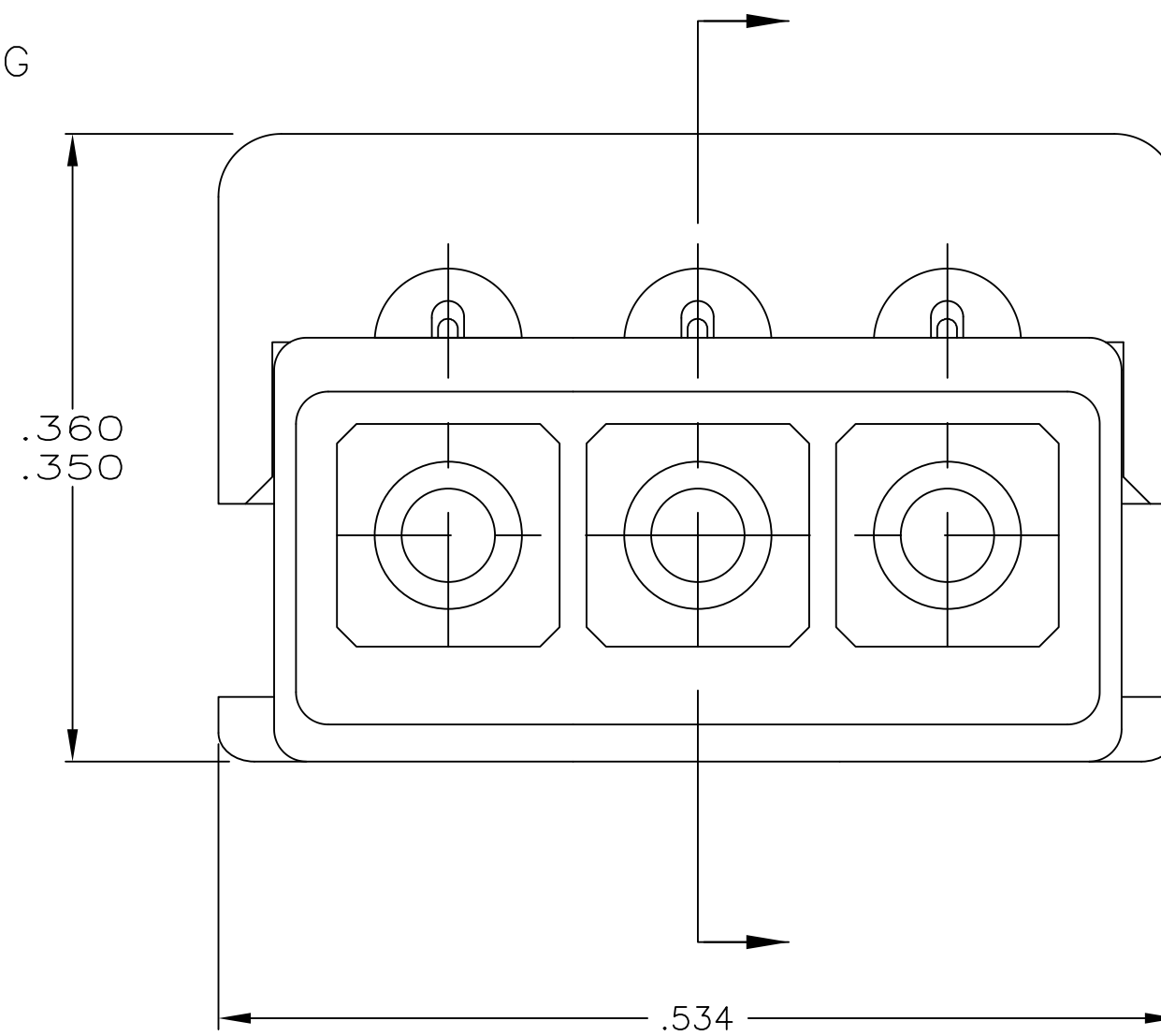
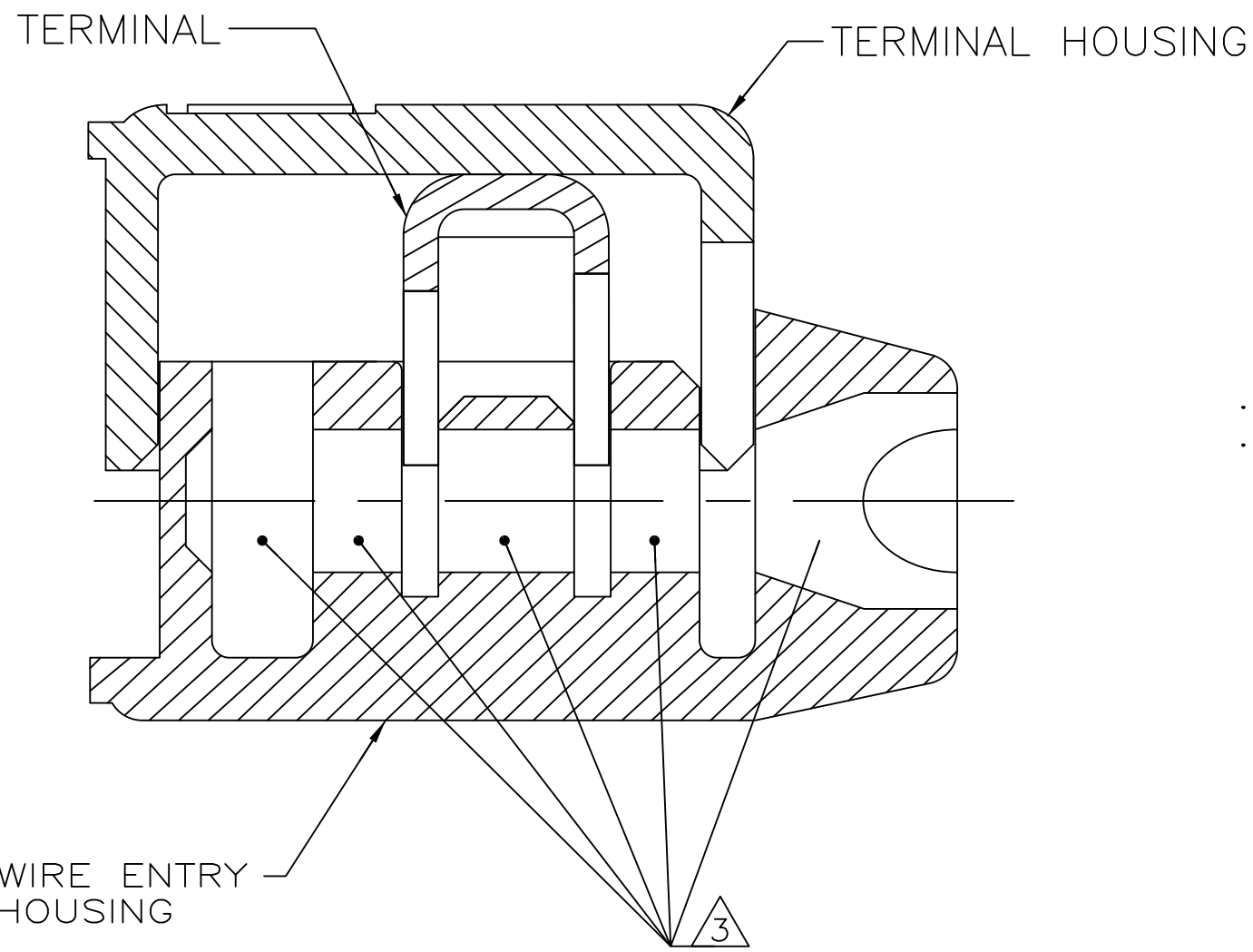


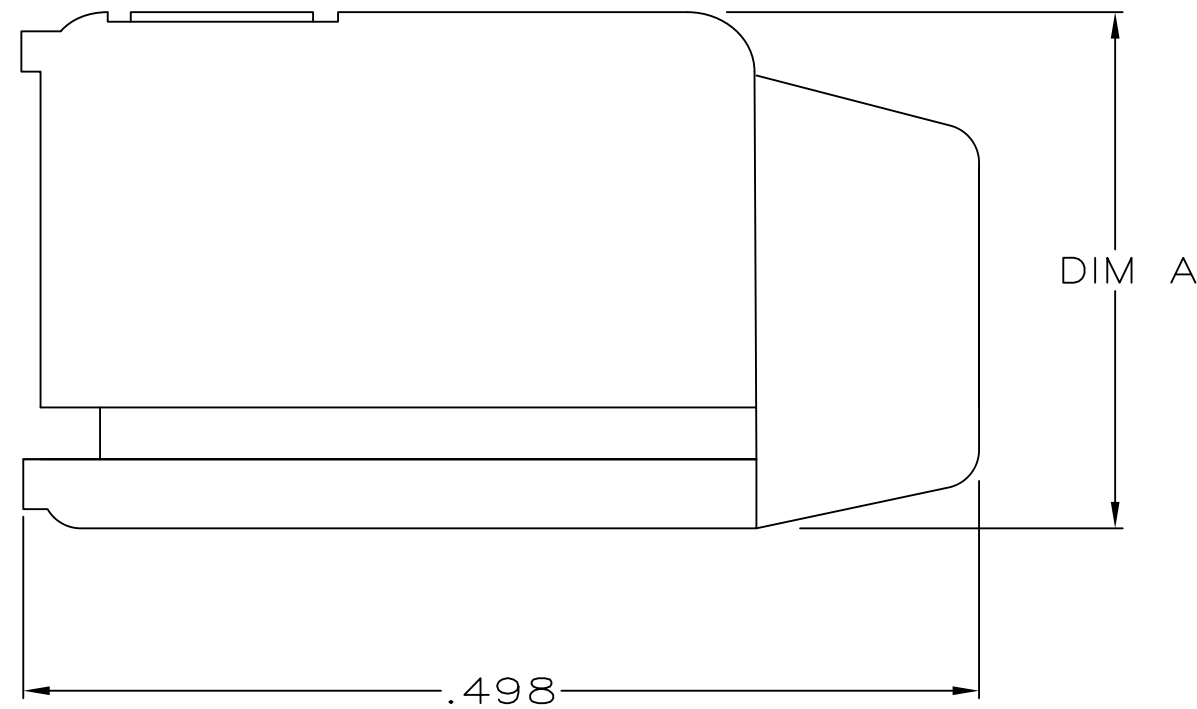
THIS DRAWING IS UNPUBLISHED. RELEASED FOR PUBLICATION
 © 2016 Commscope, INC. Confidential NOTICE: These drawings and specifications are the proprietary property of COMMSCOPE, INC. and may be used only for the specific purpose authorized in writing by COMMSCOPE, INC.

LOC		DIST		REVISIONS			
P	LTR	DESCRIPTION	DATE	DWN	APVD		
Z		REV PER 40025366MCO	13OCT2015	GG	JD		
AA		ECN 8000019699 REBRANDING	30JAN2017	JUM	ARL		

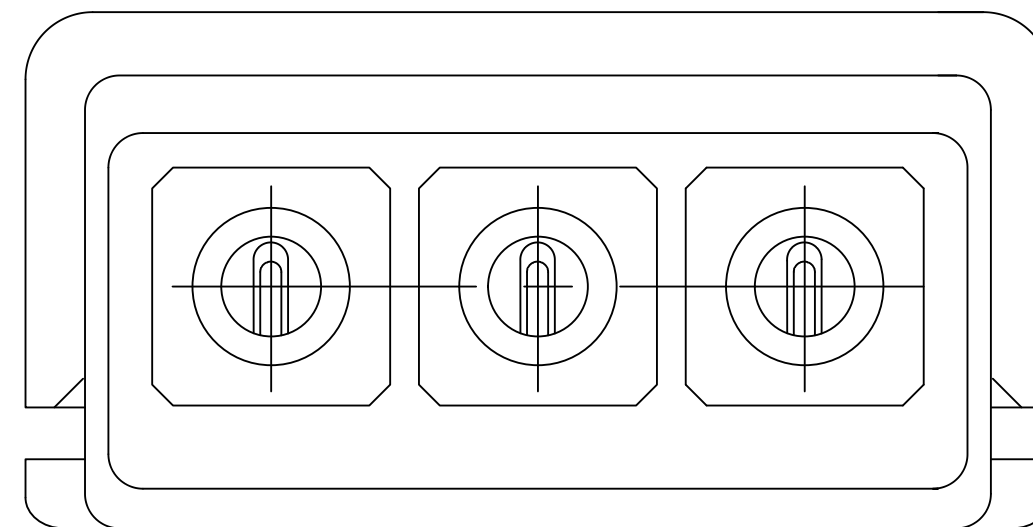


UNCRIMPED

1. WIRE RANGE: 19-26 AWG SOLID COPPER CONDUCTORS.
- 2 MATERIAL: HOUSING - THERMOPLASTIC (CLEAR)
TERMINAL - TIN PLATED PHOSPHOR BRONZE
- 3 SEALANT ADDED TO HOUSING IN THREE AREAS.
4. ALL DIMENSIONS ARE FOR REFERENCE ONLY.
5. FOR CRIMPING INFORMATION SEE APPLICATION SPECIFICATION 114-6010.
- 6 TEL-SPLICE ASSEMBLIES WITHOUT SEALANT (UNFILLED) SHALL BE YELLOW.



CRIMPED



OBSOLETE	100	WITH SEALANT	1-552678-7
SUPSD BY 1-552678-2	100	WITH SEALANT	1-552678-6
OBSOLETE	BULK	WITHOUT SEALANT	1-552678-5
	100	WITHOUT SEALANT	1-552678-4
	100	WITH SEALANT	1-552678-2
OBSOLETE	BULK	WITH SEALANT	552678-5
	500	WITHOUT SEALANT	552678-4
SUPSD BY 552678-2	500	WITHOUT SEALANT	552678-3
	500	WITH SEALANT	552678-2
	PARTS PER CONTAINER	DESCRIPTION	PART NUMBER

THIS DRAWING IS A CONTROLLED DOCUMENT.		DWN	20FEB04	COMMSCOPE, INC.	
		L. HALL			
		CHK	24FEB04		
		A. KINKA			
DIMENSIONS: mm		APVD	24FEB04	NAME	
TOLERANCES UNLESS OTHERWISE SPECIFIED:		A. KINKA		TEL-SPLICE ASSEMBLY, 3 WIRE (INTERNATIONAL)	
0 PLC ± -		PRODUCT SPEC		-	
1 PLC ± -		APPLICATION SPEC		-	
2 PLC ± -		WEIGHT		-	
3 PLC ± -		SIZE		A2	
4 PLC ± -		CAGE CODE		-	
ANGLES ± -		DRAWING NO		C=552678	
FINISH		RESTRICTED TO		-	
-		CUSTOMER DRAWING		SCALE 10:1 SHEET 1 of 1 REV AA	

.262	24-26
.276	19-22
DIM "A" MAX	WIRE-AWG

552678

A