



# ISOFACE™

## Galvanically Isolated 8-Channel Digital Input IC

The ISO1181xT digital input product family is an intelligent **system solution** offering **robust galvanic isolation** between the  $\mu\text{C}$  on the “control side” and the 24V factory floor environment, frequently referred to as the “process side”.

### Industrial Control Applications:

- Programmable Logic Controllers (PLC)
- Distributed Control Systems
- Industrial PCs
- General Control Equipment
- Sensor Input Modules

### Benefits of the integrated galvanic isolation of the ISO1181xT digital input product family:

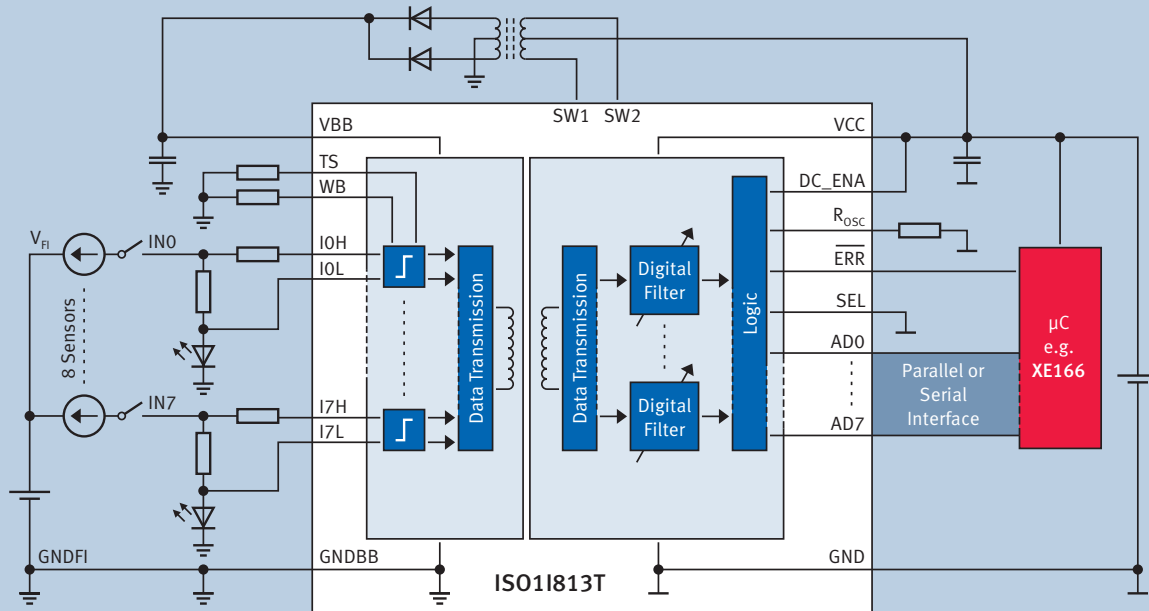
- Temperature range up to  $+135^{\circ}\text{C}$   $t_{\text{junction}}$
- Low temperature drift
- Superior EMI robustness
- ➔ Ideal for highly compact industrial applications
- ➔ Robust over operational life-time
- ➔ Secure data transfer under very harsh conditions

Product Overview		ISO11811T	ISO11813T
Input Characteristics	IEC Type: I, II, III	✓	✓
	Input status LED	✓	✓
	Max sampling frequency	125kHz	500kHz
	Deglitching filter setting	Hard wired	Software, individual per channel
	Synchronous data acquisition		✓
$\mu\text{C}$ Interface	3.3V/5V	✓	✓
	Serial & parallel	✓	✓
Safety Features	500V Isolation voltage	✓	✓
Diagnostics	Wire break, channel-specific		✓
	$V_{\text{bb}}$ undervoltage		✓
Support for external $V_{\text{bb}}$ supply			✓
Package TSSOP-48 (8 x 12.5mm)		✓	✓
Infineon ordering code		SP000876494	SP000876504

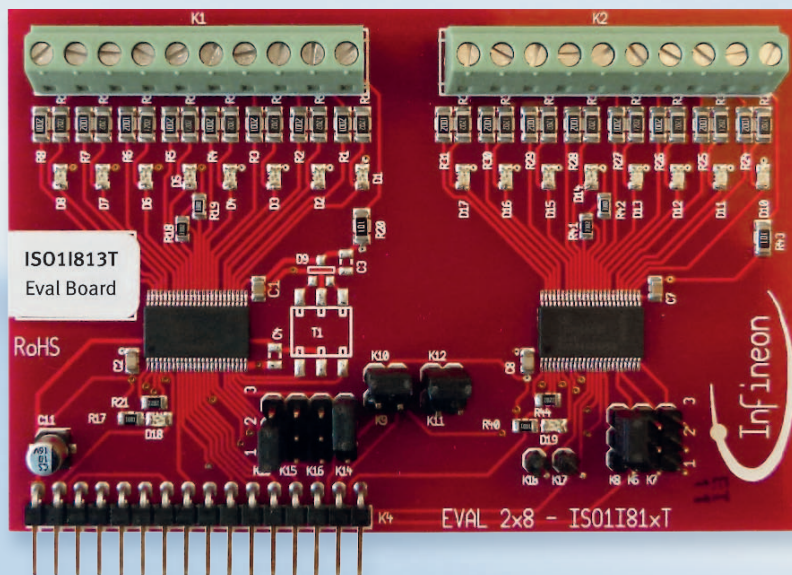
# ISOFACE™

## Galvanically Isolated 8-Channel Digital Input IC

### Typical Application



### Evaluation Board



### Ordering Code

I811T-Board: SP000918168  
I813T-Board: SP000918170

[www.infineon.com/isoface](http://www.infineon.com/isoface)

Published by  
Infineon Technologies AG  
85579 Neubiberg, Germany

© 2012 Infineon Technologies AG.  
All Rights Reserved.

Visit us:  
[www.infineon.com](http://www.infineon.com)

Order Number: B121-H9470-G2-X-7600  
Date: 02 / 2012

### ATTENTION PLEASE!

The information given in this document shall in no event be regarded as a guarantee of conditions or characteristics ("Beschaffenheitsgarantie"). With respect to any examples or hints given herein, any typical values stated herein and/or any information regarding the application of the device, Infineon Technologies hereby disclaims any and all warranties and liabilities of any kind, including without limitation warranties of non-infringement of intellectual property rights of any third party.

### INFORMATION

For further information on technology, delivery terms and conditions and prices please contact your nearest Infineon Technologies Office ([www.infineon.com](http://www.infineon.com)).

### WARNINGS

Due to technical requirements components may contain dangerous substances. For information on the types in question please contact your nearest Infineon Technologies Office. Infineon Technologies Components may only be used in life-support devices or systems with the express written approval of Infineon Technologies, if a failure of such components can reasonably be expected to cause the failure of that life-support device or system, or to affect the safety or effectiveness of that device or system. Life support devices or systems are intended to be implanted in the human body, or to support and/or maintain and sustain and/or protect human life. If they fail, it is reasonable to assume that the health of the user or other persons may be endangered.