

PRODUCT NUMBER  
10119332-YXX-XXLF

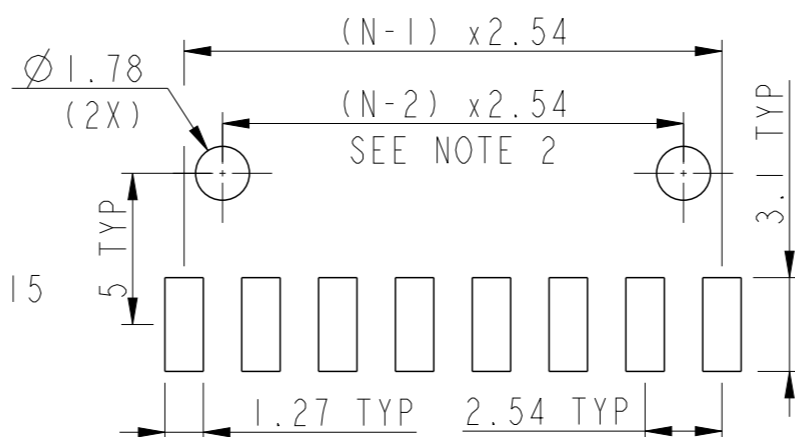
PLATING  
1=0.76µm GXT/GOLD ON CONTACT  
2µm TIN MIN ON TAILS  
4=2µm TIN MIN FULL PLATED

RoHS COMPATIBLE  
NOTE 4  
TOTAL NUMBER OF  
POSITIONS : 02 TO 15  
AS AVAILABLE  
PACKAGING, NOTE 3

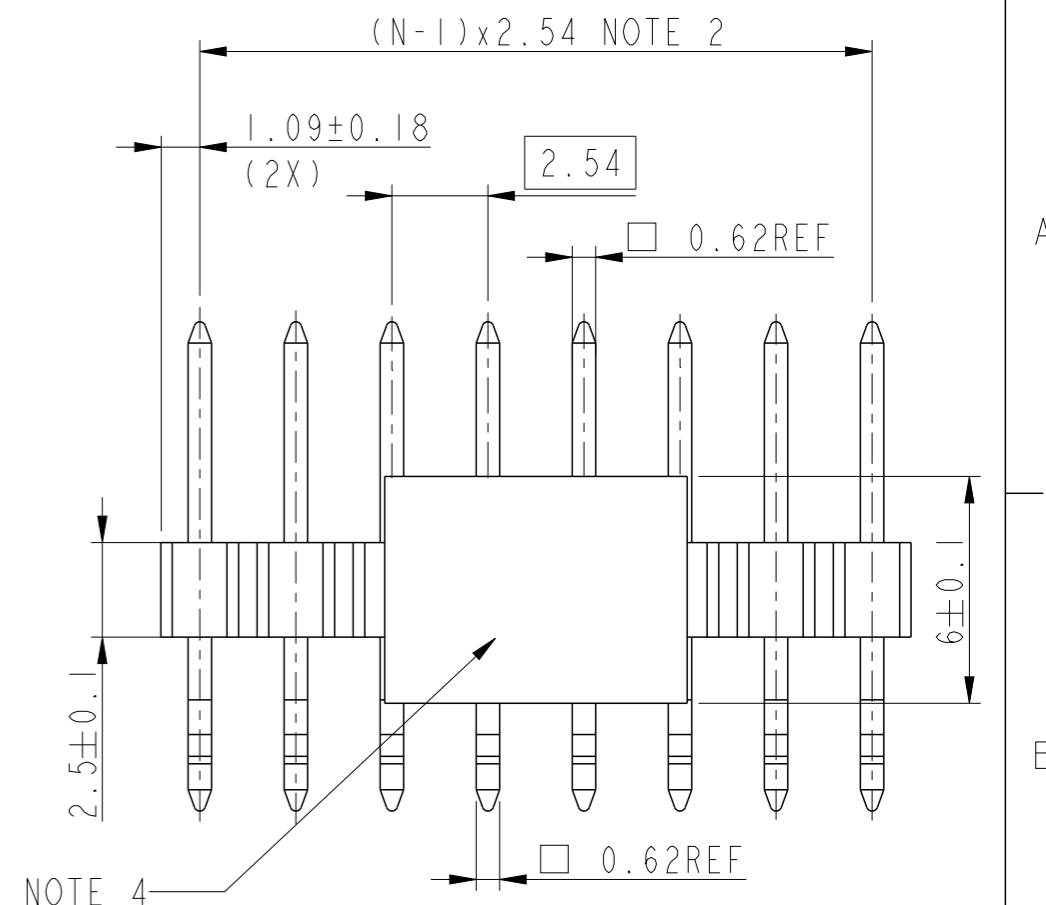
STYLE	DIM "A" ±0.2
01	5.84
02	8.08
03	10.67
04	3.00

NOTES:

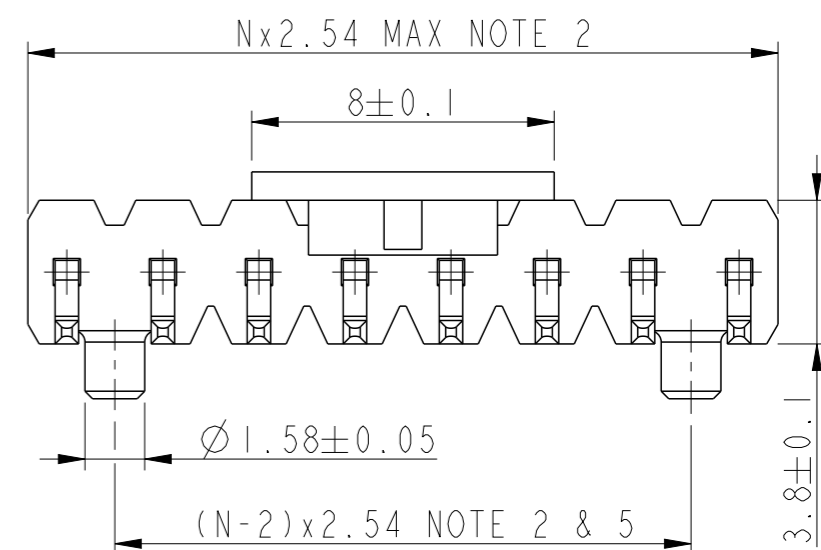
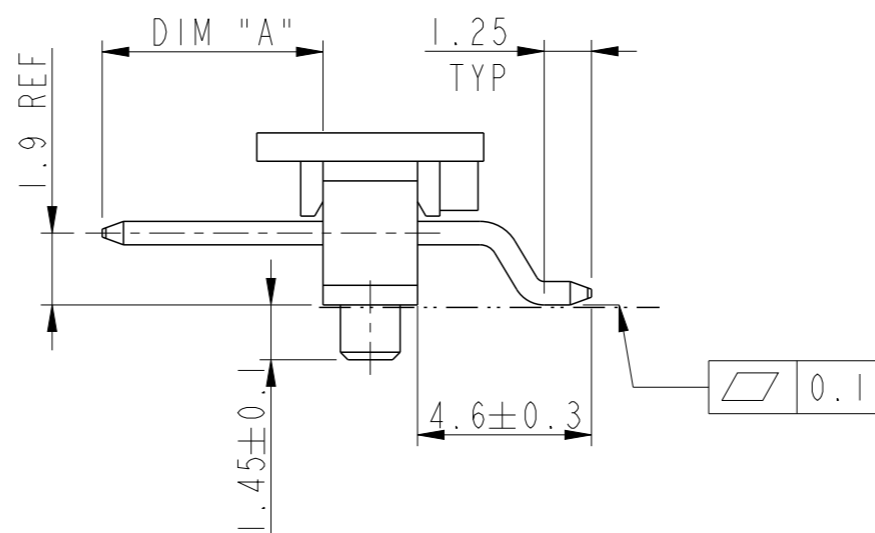
- 1 - MATERIAL:
  - BODY: HIGH TEMPERATURE THERMOPLASTIC  
UL94V-0 COLOR BLACK
  - PIN : COPPER ALLOY23 - TO DETERMINATE DIMENSIONS :
- 2 - N = NUMBER OF POSITIONS  
EXAMPLE : 8 POS x 2.54=20.32
- 3 - PACKAGING:
  - A = TAPE & REEL PACKAGING WITH PICK-UP CAP  
AS PER GS-14-2357
  - = POLYBAGS
  - KV = TAPE & REEL WITHOUT CAP FOR CUSTOMER  
DEDICATED PART PER SPAF0432
  - K = TAPE & REEL WITHOUT CAP PER SPAF0432
- 4 - RoHS COMPATIBLE PRODUCT SPECIFICATIONS :
  - a - PLATING :  
"LF" MEANS THE PRODUCT IS LEAD FREE 2µm MIN  
MATTE TIN OVER 1.27µm MIN NICKEL UNDERPLATED
  - b - MANUFACTURING PROCESS COMPATIBILITY :  
THE HOUSING WILL WITHSTAND EXPOSURE TO 260°C PEAK  
TEMPERATURE FOR 30 SECONDS MAX IN CONVECTION,  
INFRA-RED OR VAPOR PHASE OR REFLOW OVEN
  - c - LABELLING :  
MEETS PACKAGING SPECS AS PER GS-14-920
  - d - LEGAL STATEMENT : SEE GS-47-0004
- 5 - FOR 2 POSITIONS ONLY ONE CENTRAL PEG
- 6 - PRODUCT SPECIFICATION AS PER BUS-12-114  
EXCEPT PIN RETENTION FORCE 5N MIN.



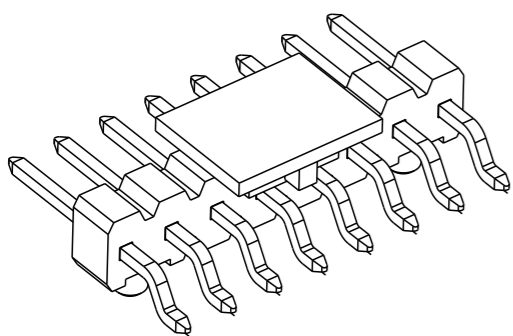
PCB LAYOUT



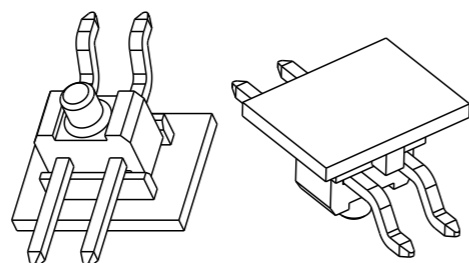
NOTE 4



VIEW OF 2 POS  
NOTE 5



SCALE 3:1



SCALE 3:1

spec ref	dr	Aymeric Soudy	2014/02/21	projection	MM	size	A3	scale	5:1
tolerance std	eng	J M Compagnon	2015/07/03			ecn no	ELX-B-21308-1	rel level	Released
ISO 406 ISO 1101	chr	Laurent Mulin	2015/07/03						
surface	linear	0.X	±0.3		title 2.54mm UNSH HEADER HORIZ SINGLE ROW SMT WITH PEG	dwg no	10119332	rev	E
		0.XX	±0.13						
ISO 1302	angular	0°	±2°	www.fci.com	cat. no.	-	Product - Customer Drw	sheet 1 of 1	



Copyright FCI.