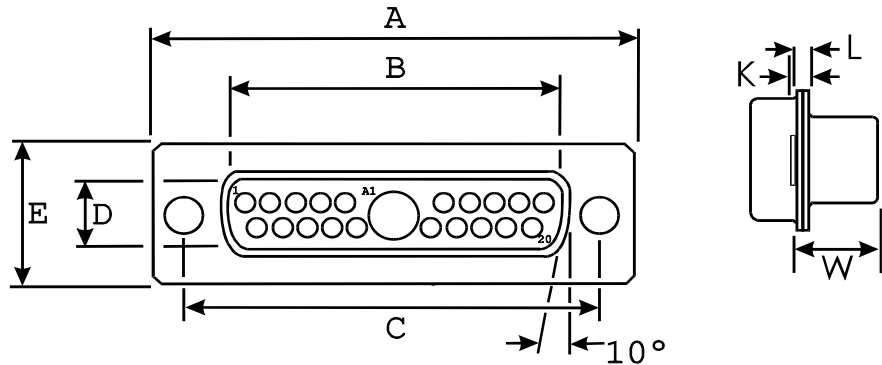
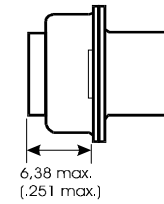


This is issued in strict confidence on condition that it is not used as a basis for manufacture or sale, and that it is not copied, reprinted or disclosed to a third party either wholly or in part without prior written consent of ITT Cannon.

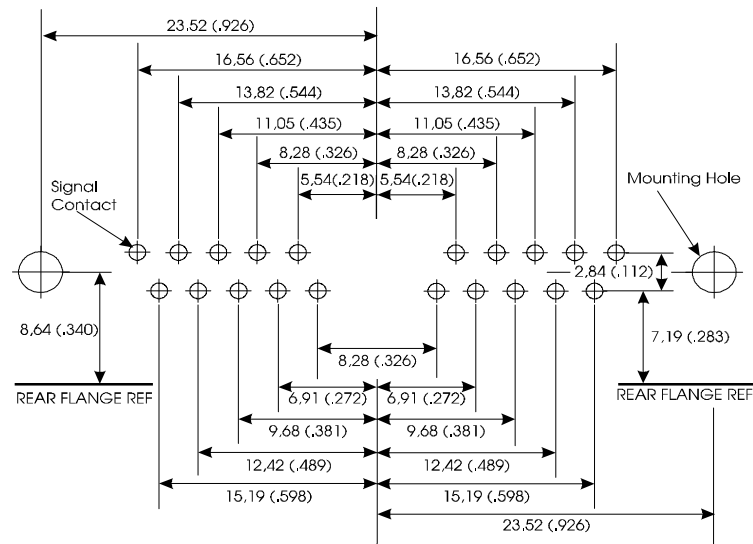


No mounting hardware selected  
with 3,05 (.120) mounting hole

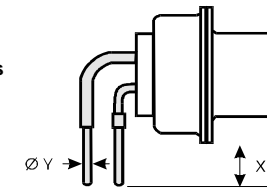
Signal contacts  
not shown for clarity



A ± 0,38 (.015)	B ± 0,13 (.005)	C ± 0,13 (.005)	D ± 0,13 (.005)	E ± 0,38 (.015)	L ± 0,25 (.010)	W ± 0,41 (.016)	K ± 0,25 (.010)
53,04 (2,088)	38,96 (1,534)	47,04 (1,852)	8,36 (.329)	12,55 (.494)	0,99 (.039)	6,84 (.269)	1,52 (.060)



Right angle signal contacts



Signal contact diameter	Signal contact length from bottom edge of shell
Y ± 0,04 (.002)	X ± 0,69 (.027)
0,76 (.030)	4,65 (.183)

DESCRIPTION	MATERIAL	FINISH
Insulator	Polyester	None, (Color Black)
Shells	Steel	Yellow Chromate over Zinc
Signal Contacts	Copper alloy	Gold over Ni

No Hardware Specified	PCB Signal cont Ø (20)
Mounting Holes Ref Only	1,14 (.045)

Unless otherwise specified, dimensions are in mm & (in.)  
Tolerances are (.XXX = mm)  
Decimals Angles  
.X ± 0,20 (.008) X° ± 1.0°  
.XX ± 0,10 (.004)  
.XXX ± 0,05 (.002)

Issue Date: 22-Jul-15 Cannon ITT Industries

CONNECTOR, PLUG, ELECTRICAL  
COMBO D 21W1 RIGHT ANGLE PCB

PART NO. **DBM21W1PR**

NOTE: DO NOT MAKE ASSUMPTIONS REGARDING HOLE LOCATIONS, CHECK EACH DIMENSION