

Power connectors - SACC-M12MRT-4CON-PG11-M - 1408988

Please be informed that the data shown in this PDF Document is generated from our Online Catalog. Please find the complete data in the user's documentation. Our General Terms of Use for Downloads are valid (<http://phoenixcontact.com/download>)


Power connectors, 4-position, Plug angled M12, T-coded, Screw connection, Knurl material: Zinc die-cast, nickel-plated, Cable gland Pg11, External cable diameter 8 mm ... 10 mm, Contact 4 leading



Why buy this product

- Safe use in the field, thanks to a high degree of protection
- Flexible: connectors for on-site assembly
- Screw connection: proven connection technology for a large selection of different conductors
- High-performance: DC connectors for up to 12 A and 60 V DC
- Protection against incorrect connection using special T-coding

Key Commercial Data

Packing unit	1 STK
GTIN	 4 046356 862387
GTIN	4046356862387

Technical data

Dimensions

Wrench size, union nut	19 mm
External cable diameter	8 mm ... 10 mm
Stripping length of the individual wire	5 mm

Ambient conditions

Degree of protection	IP67
----------------------	------

General

Note	Strip 22 mm off the cable sheath, strip 7 mm off the conductor insulation, crimp the ferrule, then shorten this to 5 mm. Length of conductor with shortened ferrule: 20 mm. Connect conductors and tighten the mounting screws with 0.2 Nm.
Rated current at 40°C	12 A (when using 1.5 mm ² conductors)
	12 A (at 40 °C)

Power connectors - SACC-M12MRT-4CON-PG11-M - 1408988

Technical data

General

Rated voltage	63 V DC
Number of positions	4
Insulation resistance	> 10 GΩ
Coding	T power
Standards/regulations	IEC 61076-2-111
Status display	No
Overvoltage category	III
Degree of pollution	3
Connection method	Screw connection
Conductor cross section	0.75 mm ² ... 1.5 mm ²
Conductor cross section AWG	18 ... 16
Insertion/withdrawal cycles	> 100
Torque	0.4 Nm (M12 knurl)
	1 Nm ... 1.4 Nm (Pressure screw with sleeve housing)
	0.4 Nm (Screw plug insert with sleeve housing as far it will go)
	0.2 Nm (Screw terminal blocks)
Assembly instructions	The wires can be connected both with ferrules and without ferrules

Material

Flammability rating according to UL 94	V0
Contact material	CuZn
Contact surface material	Au
Contact carrier material	PA
Material of grip body	PA
Material, knurls	Zinc die-cast, nickel-plated
Sealing material	NBR (Cable clamping)

Cable

Standards/specifications	IEC 61076-2-111
--------------------------	-----------------

Standards and Regulations

Standards/regulations	IEC 61076-2-111
Flammability rating according to UL 94	V0

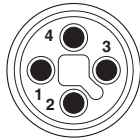
Environmental Product Compliance

China RoHS	Environmentally friendly use period: unlimited = EFUP-e
	No hazardous substances above threshold values

Drawings

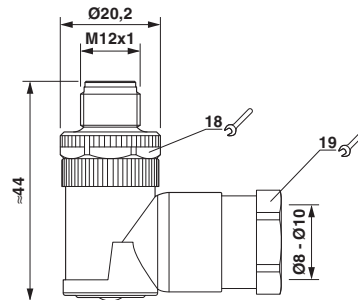
Power connectors - SACC-M12MRT-4CON-PG11-M - 1408988

Schematic diagram



Pin assignment for M12 plug, 4-pos., T-coded, view of plug side

Dimensional drawing



M12 x 1 male plug, angled

Approvals

Approvals

Approvals

EAC / UL Recognized / cUL Recognized / cULus Recognized

Ex Approvals

Approval details

EAC		7500651.22.01.00246
-----	--	---------------------


UL Recognized		http://database.ul.com/cgi-bin/XYV/template/LISEXT/1FRAME/index.htm	FILE E 221474
mm ² /AWG/kcmil	16		
Nominal current I _N	12 A		
Nominal voltage U _N	60 V		

cUL Recognized		http://database.ul.com/cgi-bin/XYV/template/LISEXT/1FRAME/index.htm	FILE E 221474
mm ² /AWG/kcmil	16		
Nominal current I _N	12 A		

Power connectors - SACC-M12MRT-4CON-PG11-M - 1408988

Approvals

Nominal voltage UN	60 V
--------------------	------

cULus Recognized		http://database.ul.com/cgi-bin/XYV/template/LISEXT/1FRAME/index.htm
------------------	---	---

Phoenix Contact 2017 © - all rights reserved
<http://www.phoenixcontact.com>

PHOENIX CONTACT GmbH & Co. KG
Flachsmarktstr. 8
32825 Blomberg
Germany
Tel. +49 5235 300
Fax +49 5235 3 41200
<http://www.phoenixcontact.com>