

Evaluating the **AD8251** 10 MHz, 20 V/ μ s, G = 1, 2, 4, 8 iCMOS Programmable Gain Instrumentation Amplifier

FEATURES

- Does not require software to operate
- Runs from dual supply (± 7 to ± 15 V)
- Gain selection through DIP switches
- Numerous test points for external stimulus
- Signal paths use SMA connectors

EQUIPMENT NEEDED

- Dual-output, programmable power supply (± 15 V at +50 mA)
- Dual-output function generator
- Oscilloscope
- Banana to grabber test leads
- BNC to SMA coaxial cables
- A small, flat head screw driver or similar device to set DIP switches

DOCUMENTS NEEDED

- [AD8251](#) data sheet

GENERAL DESCRIPTION

The [AD8251-EVALZ](#) user guide details how the [AD8251-EVALZ](#) evaluation board¹ evaluates the [AD8251](#). The user guide outlines the basic connections required to evaluate the [AD8251](#) and describes the switch settings available to obtain desired outputs.

Many configuration options are available on the [AD8251-EVALZ](#) evaluation board that allow additional input filtering and output filtering if there is a noisy environment (see Figure 6). The logic control is covered with an on-board 5.0 V regulator and a dual in-line package (DIP) switch. However, these logic signals can be overridden and clipped on by way of the on-board test points if the DIP switch has each position set to open.

¹ If the purchased [AD8251-EVALZ](#) evaluation board is a version released prior to 2015 (printed on the board), refer to the [AD8251-EVALZ](#) (Rev. 0) user guide at <https://wiki.analog.com/resources/eval/ad8250-evaluation-guide>.

AD8251-EVALZ EVALUATION BOARD PHOTOGRAPH

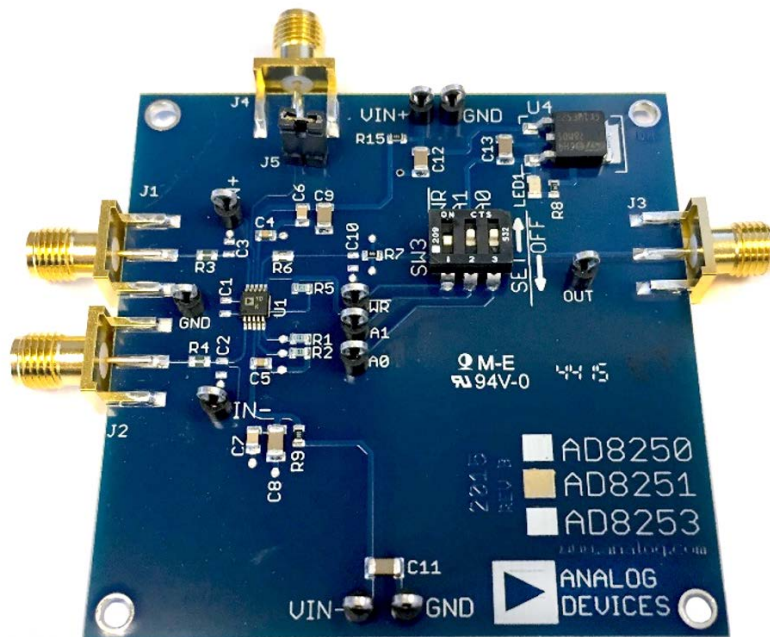


Figure 1.

TABLE OF CONTENTS

Features	1	Required Equipment	3
Equipment Needed	1	Initial Configuration Procedure	3
Documents Needed	1	Powering Up	3
General Description	1	Evaluation Board Schematic and Artwork	5
AD8251 Evaluation Board Photograph	1	Ordering Information	6
Revision History	2	Bill of Materials	6
Evaluation Board Software Quick Start Procedures	3		

REVISION HISTORY

This user guide is for the redesigned AD8251-EVALZ evaluation board released in 2015 (printed on the board). If using the version released prior to 2015, refer to the AD8251-EVALZ (Rev. 0) user guide located at <https://wiki.analog.com/resources/eval/ad8250-evaluation-guide>.

7/2016—Rev. 0 to Rev. A

Updated Content, Figures, and Specifications to Correspond with the Updated AD8251-EVALZ Evaluation Board Released in 2015..... Universal

6/2007—Revision 0: Initial Version

EVALUATION BOARD SOFTWARE QUICK START PROCEDURES

REQUIRED EQUIPMENT

To perform the start-up operations outlined in this guide, use the following items:

- A dual-output, programmable power supply, such as the Keithley 2230-30-1 supply.
- A dual-channel function generator, such as the LeCroy WaveStation 2012.
- An oscilloscope, such as the LeCroy WaveSurfer 3034.
- A small slotted screw driver, or similar device, to adjust the three DIP switches within the SW3 DIP switch (see Figure 7).
- Two black banana to grabber test leads, such as the Pomona 3782-36-0.
- Two red banana to grabber test leads, such as the Pomona 3782-36-2.
- Three BNC (male) to SMA (male) coaxial cables.

INITIAL CONFIGURATION PROCEDURE

1. Before any connections are made, verify the initial DIP switch configuration. Set all switches to the off position, as indicated by the silkscreen (see Figure 7).
2. Set the power supply to ± 15 V with a current limit of 25 mA each channel.
3. Set the function generator to produce a complementary (in-phase and out-of-phase), 1 kHz sine wave, at a 50 mV differential amplitude signal. Select the high impedance setting on both outputs of the generator. For a 50Ω signal source, use 25 mV.
4. Ensure the signal generator outputs are off.
5. Connect the power supply leads from the power supply source: +15 V to VIN+, -15 V to VIN-, and Common/Ground to GND.
6. Connect the J3 output signal to any channel on the oscilloscope and set the vertical setting to 100 mV/division.

POWERING UP THE AD8251-EVALZ EVALUATION BOARD

1. Enable the power supply output. Observe the indicated current consumption on the supply. The correct operation does not exceed 15 mA.
2. Turn on the two channels of the function generator.
3. Observe the output of the AD8251 evaluation board on the oscilloscope. The output must look similar to Figure 2, showing a signal of 400 mV in amplitude.

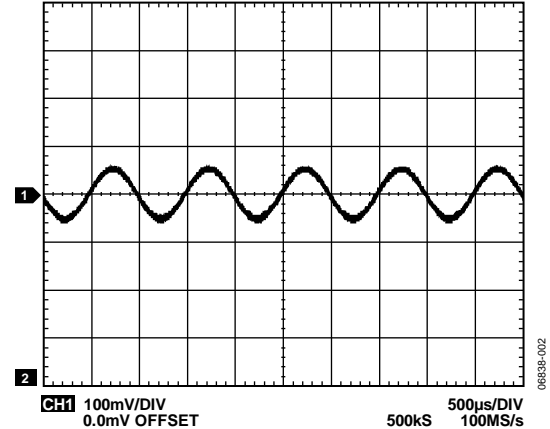


Figure 2. Output of the AD8251-EVALZ when $G = 1$

4. Set Switch 3 on the SW3 DIP switch to set the gain to Gain (G) = 2. The result must resemble Figure 3.

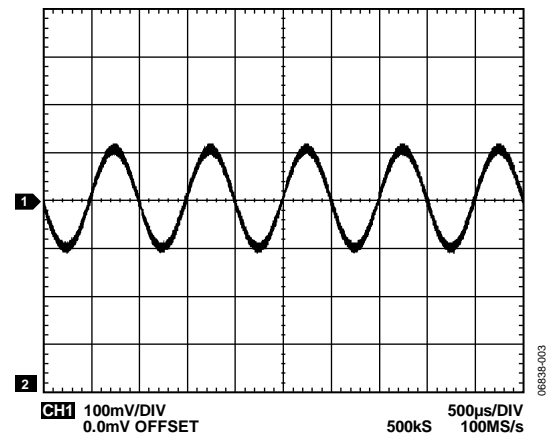


Figure 3. Output of the AD8251-EVALZ when $G = 2$

5. If the output signal is at 100 mV amplitude, set Switch 3 on the SW3 DIP switch to off and set Switch 2 to the on position ($G = 4$). The result must resemble Figure 4.

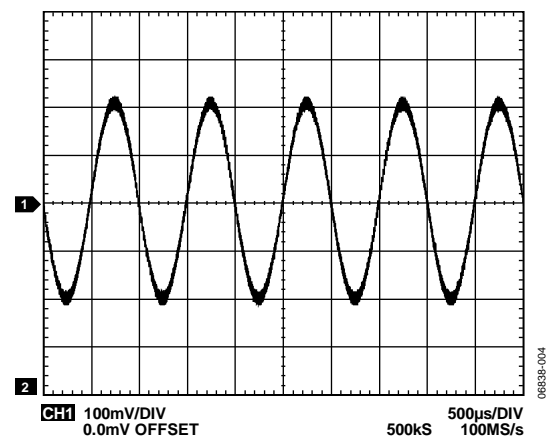


Figure 4. Output of the AD8251-EVALZ when $G = 4$ (200 mV Amplitude)

6. Finally, change the signal generator amplitude to a 10 mV differential signal and set Switch 3 on the SW3 DIP switch to the on position to set $G = 8$. The result must resemble Figure 5.

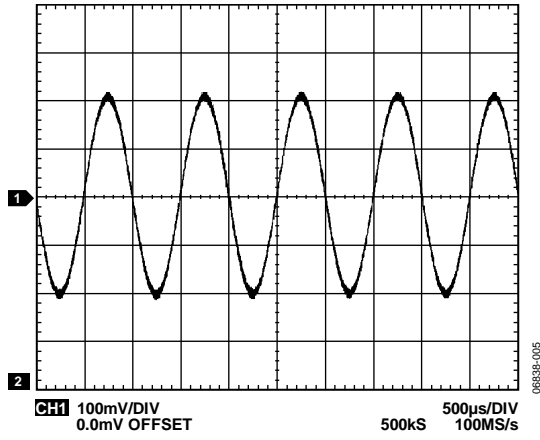


Figure 5. Output of the AD8251-EVALZ when $G = 8$

7. If Switch 1 is set to on, the AD8251 does not update any changes to the gain. Checking the gains validates the basic operation of the AD8251-EVALZ.

EVALUATION BOARD SCHEMATIC AND ARTWORK

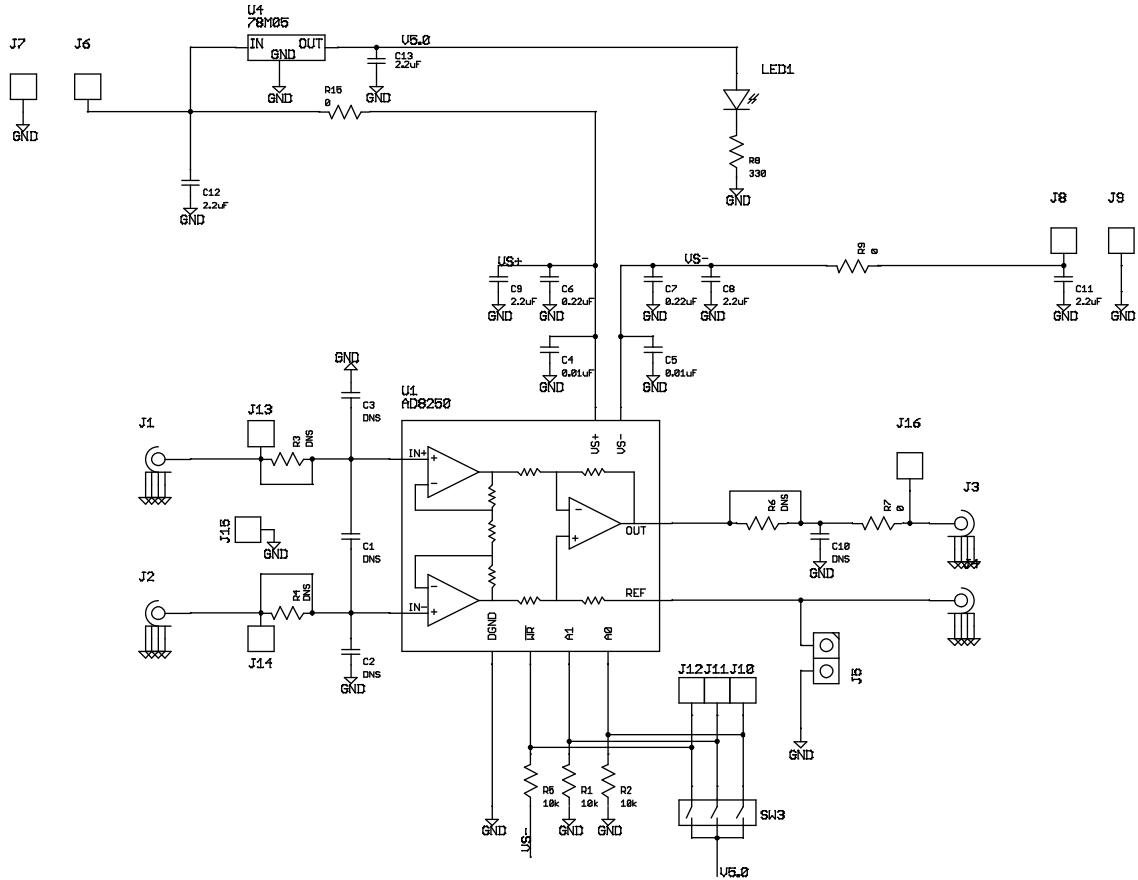


Figure 6. AD8251-EVALZ Evaluation Board Schematic

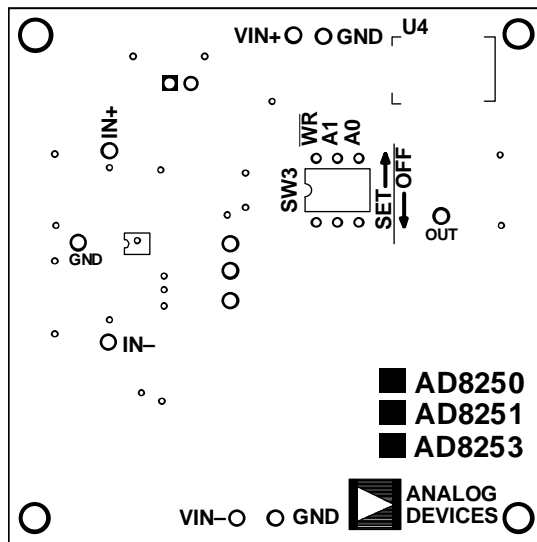


Figure 7. AD8251-EVALZ Silkscreen

ORDERING INFORMATION

BILL OF MATERIALS

Table 1.

Qty	Reference Designator	Description	Manufacturer	Part Number
1	J5	Standard 2.54 mm spacing, 2-pin header	TE Connectivity	826646-2
6	R3, R4, R6, R7, R9, R15	Resistors 0 Ω short, 0603	Vishay	CRCW06030000Z0EA
2	C4, C5	Capacitors, 0.01 μ F, 50 V, 0603	Vishay	VJ0603Y103KXAAC
2	C6, C7	Capacitors, 0.22 μ F, 0805, COG	Kemet	C0603X224K3RACTU
3	R1, R2, R5	Resistors, 10 k Ω , 0603	KOA Speer	RK73H1JTTD1002F
3	J13, J14, J16	Black, large test points	Kobiconn	151-103-RC
6	J7, J9 to J12, J15	Black, large test points	Kobiconn	151-103-RC
2	J6, J8	Red, large test points	Kobiconn	151-107-RC
5	C8, C9, C11 to C13	Capacitors, 2.2 μ F, 1206, 25 V	Vishay	VJ1206V225MXXTW1BC
1	R8	Resistor, 330 Ω , 1%	Vishay	CRCW0603330RFKEA
1	SW3	3-way DIP switch	CTS	209-3LPST
1	U4	Standard 12 V linear regulator	STMicroelectronics	L78M05CDT-TR
1	LED1	Blue LED, 3.4 V typical, 0805	Lite-On	LTST-S220TBKT
1	U1	AD8251 programmable gain instrumentation amplifier (PGIA)	Analog Devices, Inc.	AD8251ARMZ
4	J1 to J4	Standard size, end launch SMA connectors	Molex	0732511150



ESD Caution

ESD (electrostatic discharge) sensitive device. Charged devices and circuit boards can discharge without detection. Although this product features patented or proprietary protection circuitry, damage may occur on devices subjected to high energy ESD. Therefore, proper ESD precautions should be taken to avoid performance degradation or loss of functionality.

Legal Terms and Conditions

By using the evaluation board discussed herein (together with any tools, components documentation or support materials, the "Evaluation Board"), you are agreeing to be bound by the terms and conditions set forth below ("Agreement") unless you have purchased the Evaluation Board, in which case the Analog Devices Standard Terms and Conditions of Sale shall govern. Do not use the Evaluation Board until you have read and agreed to the Agreement. Your use of the Evaluation Board shall signify your acceptance of the Agreement. This Agreement is made by and between you ("Customer") and Analog Devices, Inc. ("ADI"), with its principal place of business at One Technology Way, Norwood, MA 02062, USA. Subject to the terms and conditions of the Agreement, ADI hereby grants to Customer a free, limited, personal, temporary, non-exclusive, non-sublicensable, non-transferable license to use the Evaluation Board FOR EVALUATION PURPOSES ONLY. Customer understands and agrees that the Evaluation Board is provided for the sole and exclusive purpose referenced above, and agrees not to use the Evaluation Board for any other purpose. Furthermore, the license granted is expressly made subject to the following additional limitations: Customer shall not (i) rent, lease, display, sell, transfer, assign, sublicense, or distribute the Evaluation Board; and (ii) permit any Third Party to access the Evaluation Board. As used herein, the term "Third Party" includes any entity other than ADI, Customer, their employees, affiliates and in-house consultants. The Evaluation Board is NOT sold to Customer; all rights not expressly granted herein, including ownership of the Evaluation Board, are reserved by ADI. CONFIDENTIALITY. This Agreement and the Evaluation Board shall all be considered the confidential and proprietary information of ADI. Customer may not disclose or transfer any portion of the Evaluation Board to any other party for any reason. Upon discontinuation of use of the Evaluation Board or termination of this Agreement, Customer agrees to promptly return the Evaluation Board to ADI. ADDITIONAL RESTRICTIONS. Customer may not disassemble, decompile or reverse engineer chips on the Evaluation Board. Customer shall inform ADI of any occurred damages or any modifications or alterations it makes to the Evaluation Board, including but not limited to soldering or any other activity that affects the material content of the Evaluation Board. Modifications to the Evaluation Board must comply with applicable law, including but not limited to the RoHS Directive. TERMINATION. ADI may terminate this Agreement at any time upon giving written notice to Customer. Customer agrees to return to ADI the Evaluation Board at that time. LIMITATION OF LIABILITY. THE EVALUATION BOARD PROVIDED HEREUNDER IS PROVIDED "AS IS" AND ADI MAKES NO WARRANTIES OR REPRESENTATIONS OF ANY KIND WITH RESPECT TO IT. ADI SPECIFICALLY DISCLAIMS ANY REPRESENTATIONS, ENDORSEMENTS, GUARANTEES, OR WARRANTIES, EXPRESS OR IMPLIED, RELATED TO THE EVALUATION BOARD INCLUDING, BUT NOT LIMITED TO, THE IMPLIED WARRANTY OF MERCHANTABILITY, TITLE, FITNESS FOR A PARTICULAR PURPOSE OR NON-INFRINGEMENT OF INTELLECTUAL PROPERTY RIGHTS. IN NO EVENT WILL ADI AND ITS LICENSORS BE LIABLE FOR ANY INCIDENTAL, SPECIAL, INDIRECT, OR CONSEQUENTIAL DAMAGES RESULTING FROM CUSTOMER'S POSSESSION OR USE OF THE EVALUATION BOARD, INCLUDING BUT NOT LIMITED TO LOST PROFITS, DELAY COSTS, LABOR COSTS OR LOSS OF GOODWILL. ADI'S TOTAL LIABILITY FROM ANY AND ALL CAUSES SHALL BE LIMITED TO THE AMOUNT OF ONE HUNDRED US DOLLARS (\$100.00). EXPORT. Customer agrees that it will not directly or indirectly export the Evaluation Board to another country, and that it will comply with all applicable United States federal laws and regulations relating to exports. GOVERNING LAW. This Agreement shall be governed by and construed in accordance with the substantive laws of the Commonwealth of Massachusetts (excluding conflict of law rules). Any legal action regarding this Agreement will be heard in the state or federal courts having jurisdiction in Suffolk County, Massachusetts, and Customer hereby submits to the personal jurisdiction and venue of such courts. The United Nations Convention on Contracts for the International Sale of Goods shall not apply to this Agreement and is expressly disclaimed.