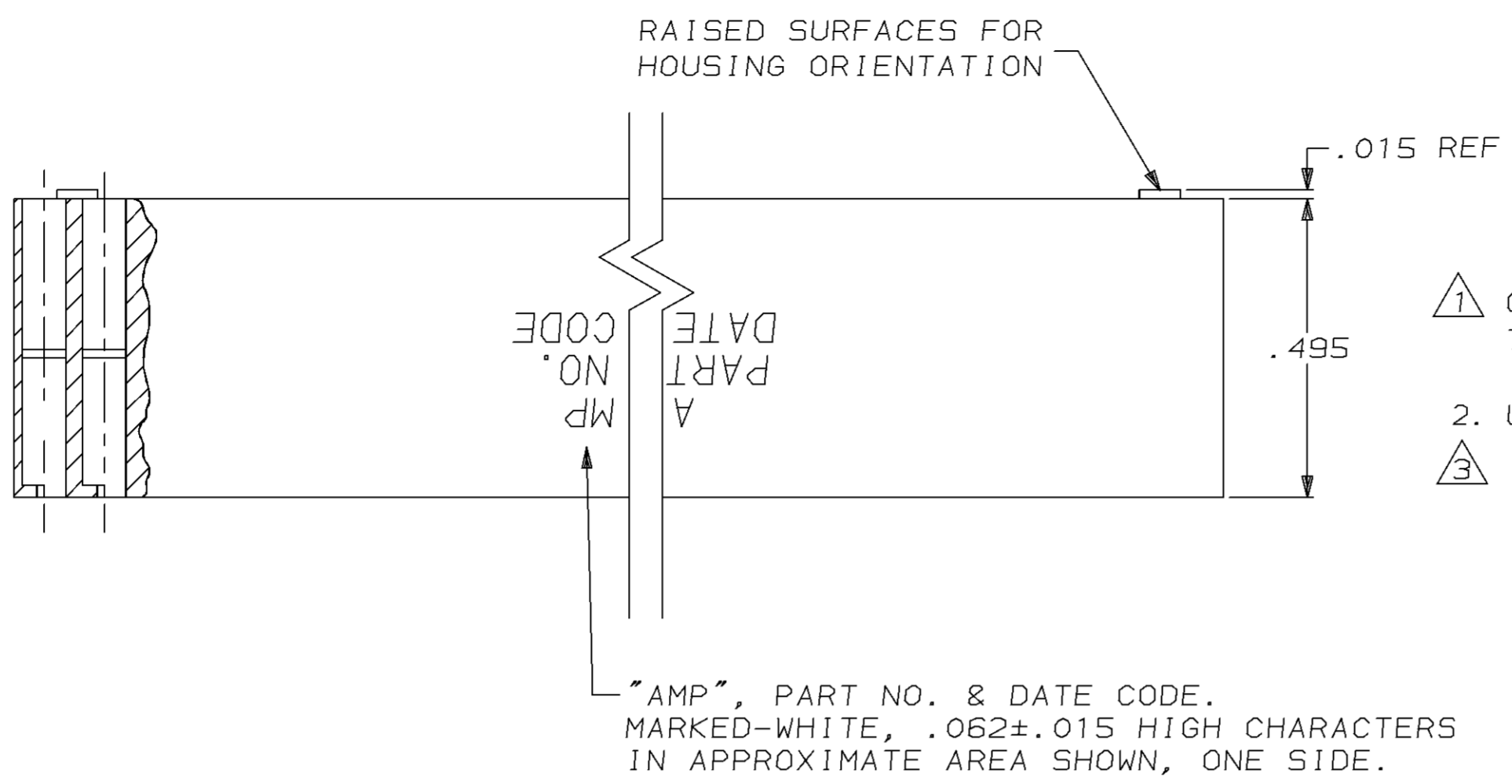
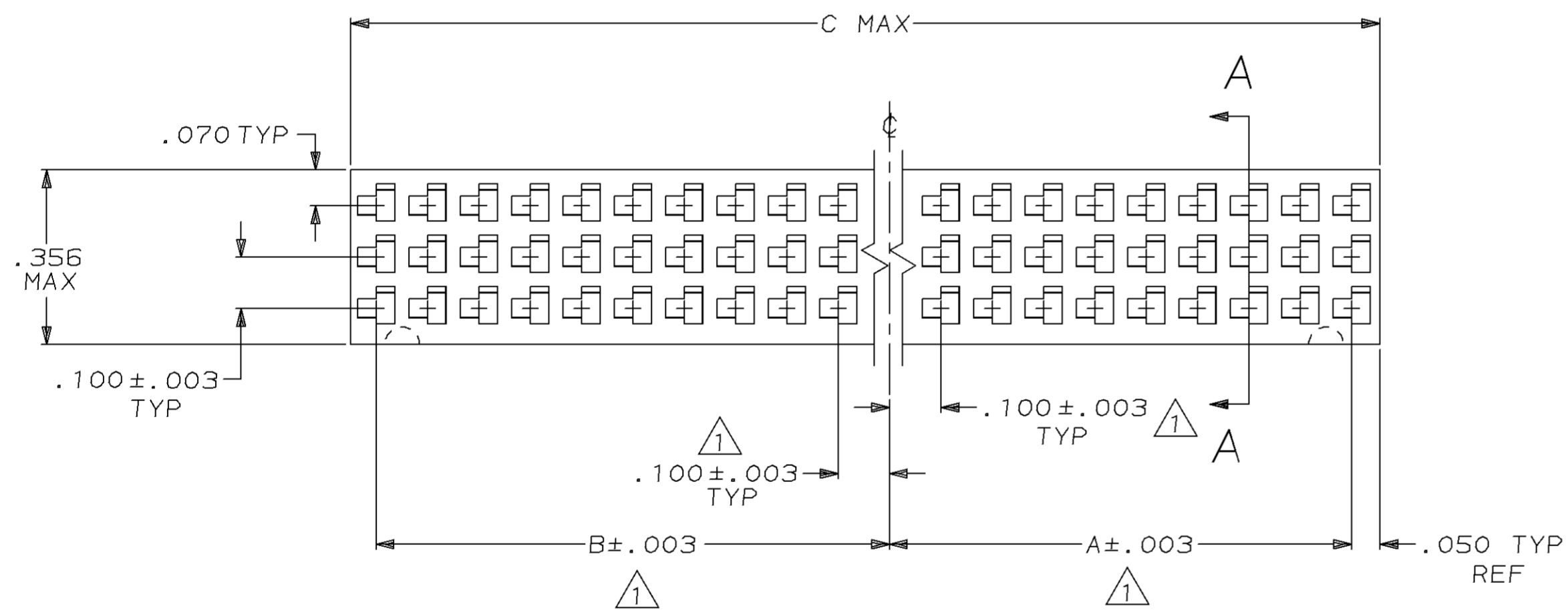


THIS DRAWING IS UNPUBLISHED. RELEASED FOR PUBLICATION ,19 .
 © COPYRIGHT 19 BY AMP INCORPORATED. ALL INTERNATIONAL RIGHTS RESERVED.

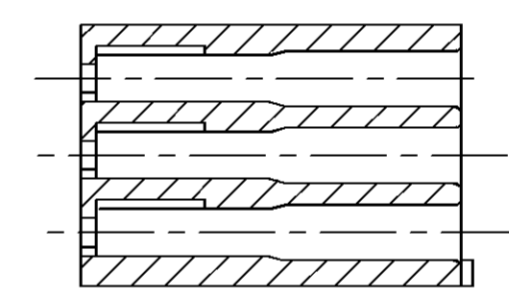
| MOD | LOC | DIST | P | F | ZONE | LTR | DESCRIPTION | DATE | APPD. |
|-----|-----|------|---|---|------|-----|--------------------------|---------|---------|
| 30 | AD | 39 | | | | | D REDRAWN | - | 9-14-89 |
| | | | | | | | E REV LOC & DIST AD-4171 | 3-90 | BF |
| | | | | | | | F OBS PER 0010-1049-93 | 12-93 | PS |
| | | | | | | | G OBS PER 0010-1011-93 | 1-94 | PS |
| | | | | | | | H REV PER 0010-1043-93 | 3-11-94 | PS |
| | | | | | | | J REV PER 0010-0768-93 | 3-11-94 | PS |
| | | | | | | | K REV PER 0010-0684-94 | 5-23-94 | PS |



- 1 CAVITY LOCATION DIMENSIONS INCREASE IN INCREMENTS OF .100 TOLERANCE NON-CUMULATIVE.
- 2. USE EXTRACTION TOOL 91065-1 TO REMOVE RECEPT CONTACTS.
- 3 OBSOLETE PART NUMBERS.



SECTION A-A



| C | B | A | NO. OF POS. | PART NUMBER UNMARKED | PART NUMBER MARKED |
|-------|------|-------|-------------|----------------------|--------------------|
| 1.405 | .600 | .700 | 42 | 86308-5 | 86308-6 |
| 2.005 | .900 | 1.000 | 60 | 86308-3 | 86308-4 |
| .905 | .400 | .400 | 27 | 86308-2 | 86308-1 |

| | | | | | |
|--|--|------------------------------|--|---|--|
| DO NOT SCALE PRINT. UNLESS SPECIFIED DIMENSIONS IN INCHES TOLERANCES ON : 2 PLC DEC ± - 3 PLC DEC ± .005 ANGLES ± 0°30' | | DR 9-14-89 BOB BOLES BG | | AMP INCORPORATED Harrisburg, Pa. 17105 | |
| MATERIAL GLASS FILLED NYLON COLOR-BLACK | | CHK 10-23-89 J. GESFORD | | | |
| FINISH - | | APPD 10-23-89 J. GESFORD | | NAME HOUSING, CRIMP SNAP-IN, TRIPLE ROW, .100 CENTERS, MOD IV | |
| | | APPD 10-23-89 FLINCHBAUGH | | SIZE C | |
| | | PRODUCT SPEC - | | FSCM NO 00779 | |
| | | APPLICATION SPEC - | | DRAWING NO 86308 | |
| | | WEIGHT - | | SCALE 4:1 | |
| | | | | SHEET 1 OF 1 | |