

NUMBER
84501



METRIC

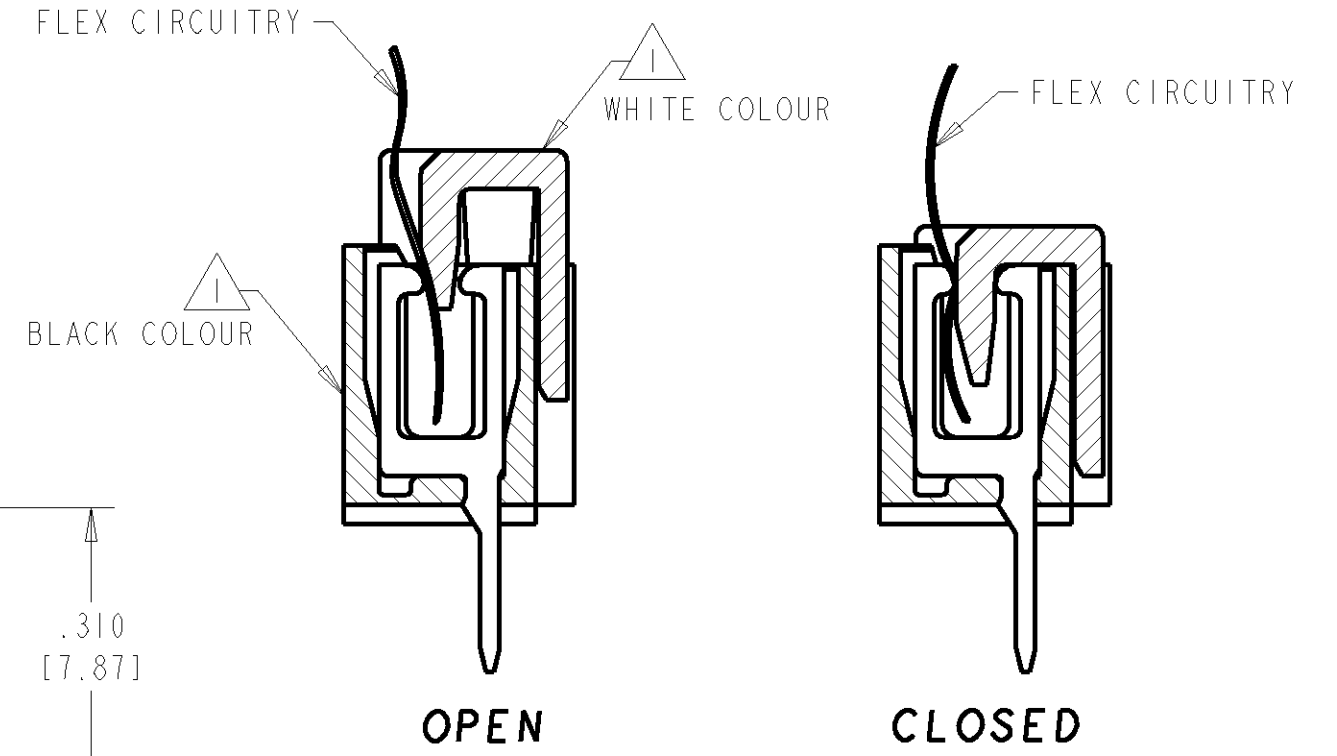
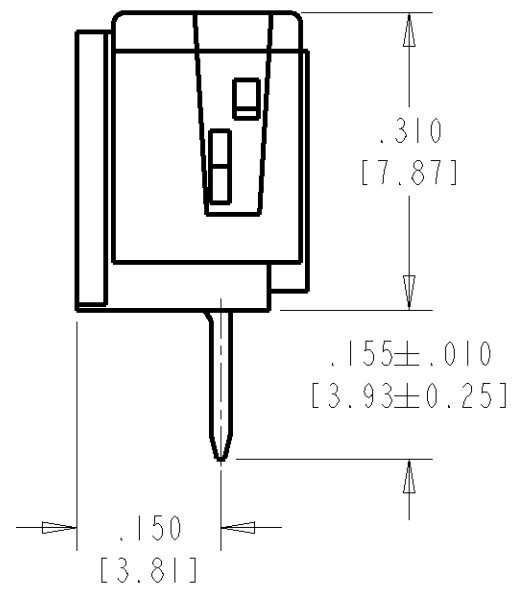
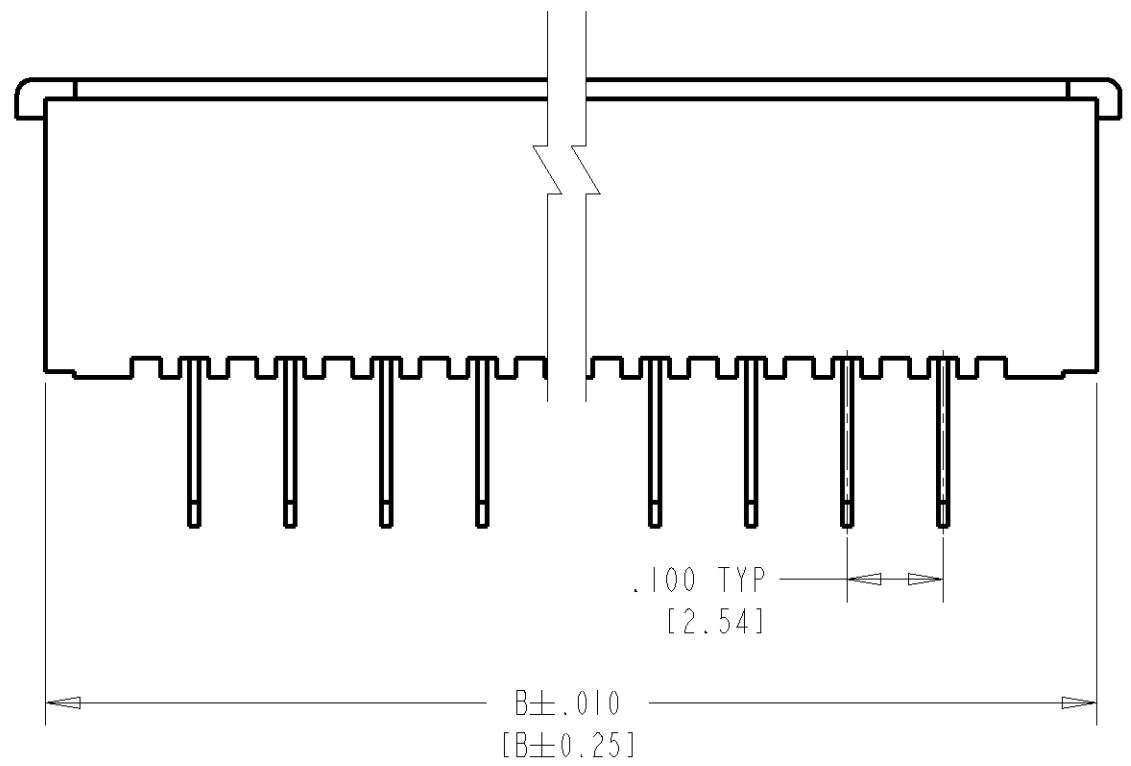
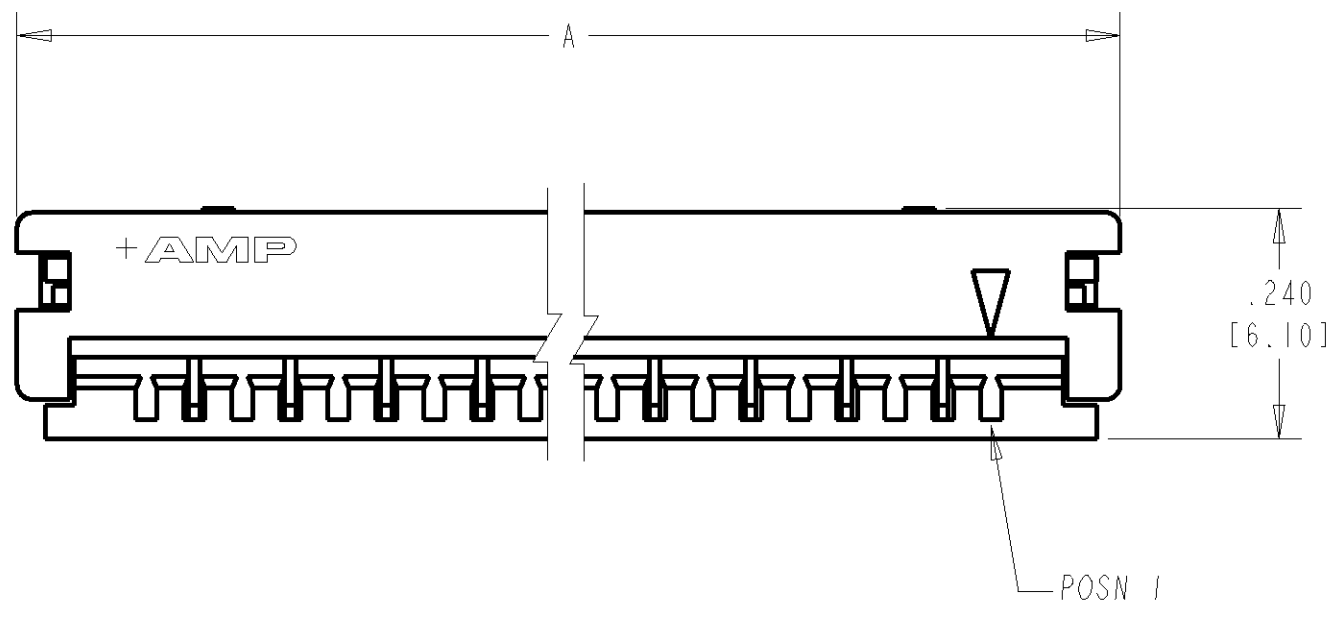
CONFIDENTIAL INFORMATION

DIMENSIONS IN MM. DO NOT SCALE PRINT

PRINT DIST

NOTES:

- 1 FLAME RETARDANT THERMOPLASTIC.
- 2 FINISH: .000150 [3.8u] MIN THK TIN OVER
.000050 [1.27u] MIN THK NICKEL ON ENTIRE CONTACT.
- 3. CONNECTOR SUPPLIED IN CLOSED CONDITION.



1.410 [35.81]	1.470 [37.34]	12	84501-1
B	A	NO OF POSN	PART NUMBER

Copyright ©1997		Copyright ©1997 AMP MANUFACTURING SINGAPORE PTE. LTD. ALL RIGHTS RESERVED.		AMP		AMP MANUFACTURING SINGAPORE PTE. LTD.	
(WIRE RANGE) mm ² (AWG -)	(INSULATION DIA.) mm \varnothing	(NAME) CONNECTOR ASSEMBLY, .100\varnothing, ZIF-LINE 50					
(MATERIAL) 1	(FINISH) 2	(GENERAL TOLERANCE)		SIZE	LOC	(No.)	
A REVISED FP00-0084-03	LWY LSF 16MAY03	0 < + \leq 10 : \pm 0.2 10 < + \leq 30 : \pm 0.25 30 < + \leq 100 : \pm 0.3 ANGLES : \pm 3°		A3	DY	84501	
0 NPR DY/NP/0271	NWL TLP 2JUN97	DR. 2JUN97	DE. COLIN KOH	(SCALE)	REV.	SHEET	
LTR (REVISION RECORD)	DR CHK DATE	CHK. LP TAN	APP. SF LEONG	5:1	A	1 OF 1	

CUSTOMER DRAWING