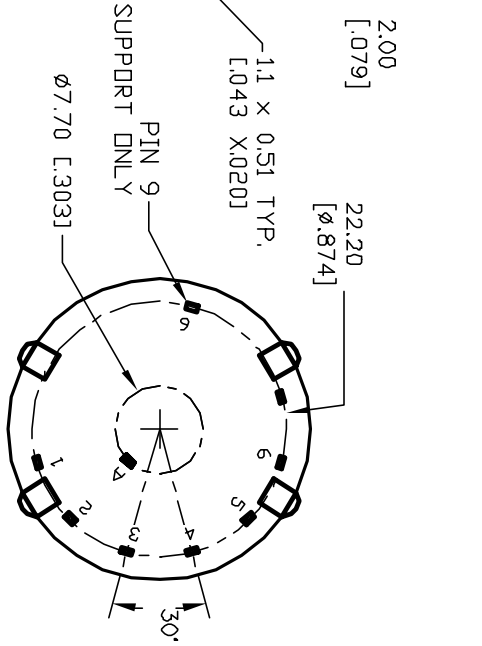
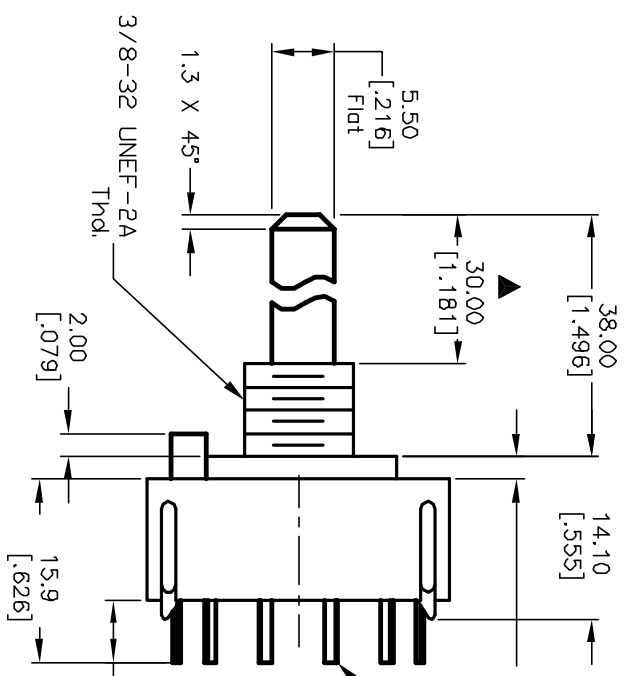
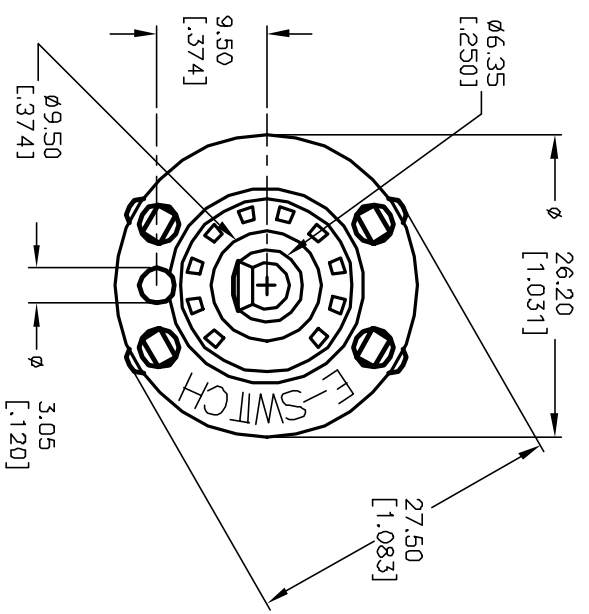
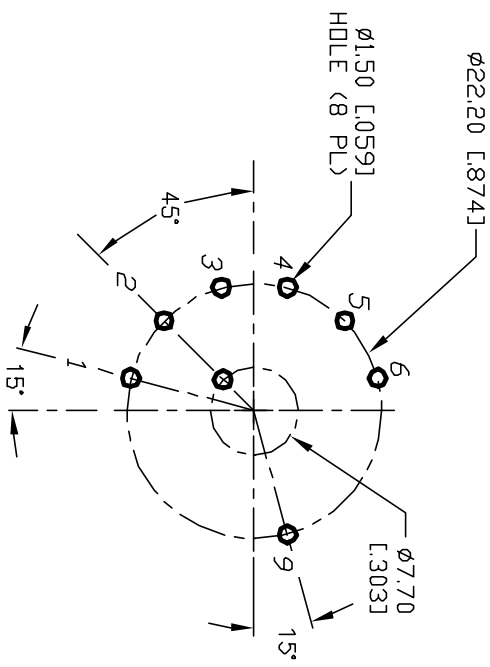
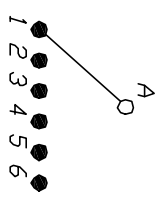


NOTES:

1. ALL DIMENSION IN MM [INCH]
2. GENERAL TOLERANCE: X.X=±0.4  
X.XX=±0.25
3. TERM. NOS. FOR REF. ONLY
4. CONTACT RATING SWITCHING: 150mA, 250V AC/DC  
350mA, 110V AC/DC
5. CONTACT RATING (NON-SWITCHING): 5A
6. OPERATING FORCE: 425±100 CM/STANDARD
7. CONTACT MATERIAL: GOLD FLASH OVER SILVER PLATE  
over COPPER ALLOY
8. OPERATING TEMP: -30° to 85°C
9. CIRCUIT SP.: 6 POSITIONS, 30° INDEX.
10. DIELECTRIC STRENGTH: 1000V RMS min. @SEA LEVEL.
11. DESIGNATE MAJOR DIMENSIONS
12. STOP RING, LOCK NUT AND WASHER NOT SHOWN.



REV. A		12162		RELEASED FOR PRODUCTION		5/20/02		CJB	
REV.		ECN No.		DESCRIPTION		DATE		CHKD	
THE INFORMATION CONTAINED IN THIS DOCUMENT IS PROPRIETARY TO E-SWITCH AND IS NOT TO BE COPIED OR TRANSFERRED									
TITLE		KC-16-A (30.0mm) 01-N-P-F							
SCALE		1.5:1							
DATE		5/20/02							
DR		CJB							
DWG		G510709							
REV		A							

**E-SWITCH®**