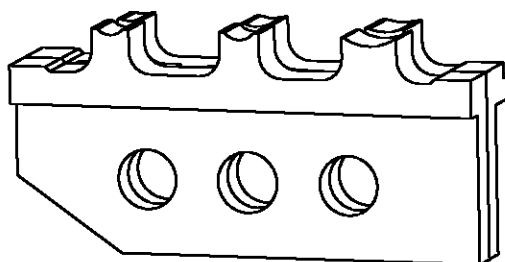
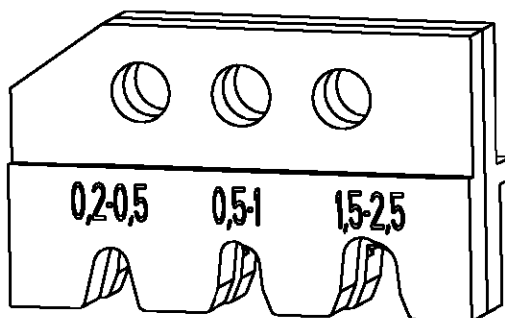


LOC	DIST	REVISIONS						
		P	LTR	DESCRIPTION	DATE	DWN	APVD	
A1	-		A	-		04FEB2002	-	-

Kontakt Contact	DGB (mm ²) Wire Range	Drahtcrimp/Wirecrimp		Isocrimp	Iso.-∅ Ins. Range	Betriebsanl. Instr. Sheet
		Hoehe/Height	Breite/W width	Breite/W width		
964279 / 964291	0.2-0.5	1.01	1.58	2.30	1.0-1.6	411-18137
964283 / 964293	0.5-1.0	1.21	2.03	2.54	1.4-2.3	
964295 / 964346	1.5-2.5	1.61	2.54	3.60	2.1-3.1	



539664-2	1	0-539786-1	contact guide	Kontaktabstuetzung	A
	1	8-539634-5	screw M4x11	Schraube M4x11	A
	1	8-539634-6	screw M4x18	Schraube M4x18	A
	1	0-519021-8	hex nut M4	Mutter M4 DIN 934	A
	QTY Stck	PN	Description	Benennung	REV

19

RELEASED FOR PUBLICATION

THIS DRAWING IS UNPUBLISHED.

BY TYCO ELECTRONICS CORPORATION. ALL RIGHTS RESERVED.

© COPYRIGHT 19

DIMENSIONS: mm-DIN 7168-m		DWN D.Reissig	01FEB2000	MATERIAL	-	FINISH	-	
TOLERANCES UNLESS OTHERWISE SPECIFIED: 0 PLC ± 1 PLC ± 2 PLC ± 3 PLC ± 4 PLC ± ANGLES ±		CHK U.Reuter	01FEB2000	AMP tyco Electronics AMP GmbH D - 64625 Bensheim				
		APVD	-	NAME ERGOCRIMP Die Set for Junior Power Timer				
		PRODUCT SPEC	-	SIZE	CAGE CODE	DRAWING NO	RESTRICTED TO	
		APPLICATION SPEC	-	A4	00779	©=539664-2	-	
		WEIGHT	-	CUSTOMER DRAWING			SCALE	2:1
				SHEET		1	OF 1	
						REV	A	