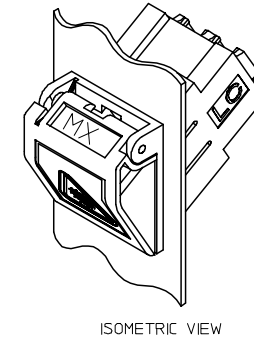
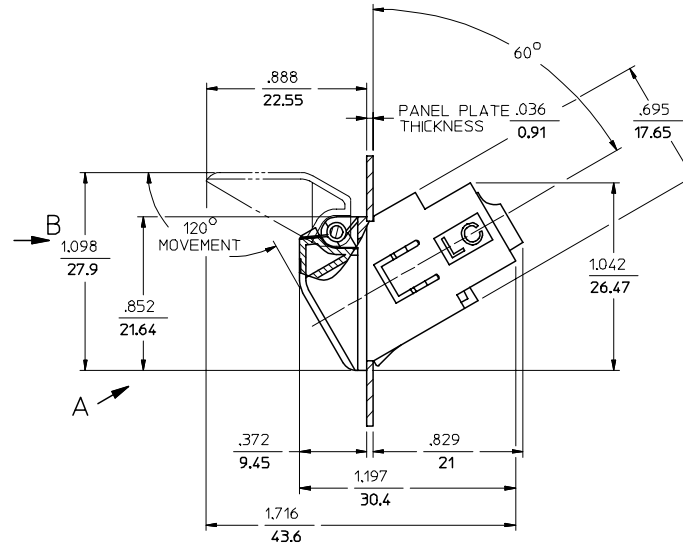
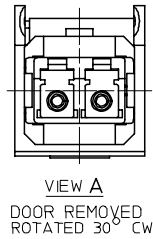
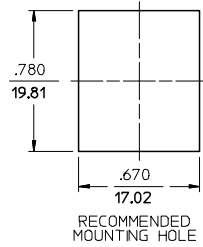
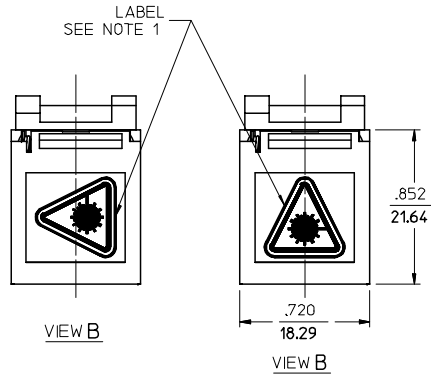


KIT P/N	ADAPTER COLOR	SLEEVE MATERIAL	BEZEL COLOR
106004-3078	BLUE	ZIRCONIA	BLACK
106004-3079	BEIGE	PHOSPHOR BRONZE	



NOTES:
1. LABEL TO BE INSTALLED BY CUSTOMER.

ENTER DESCRIPTION EC NO: MF2006-0262 DRAWN/RPACIFICI 2005/12/01 CHKD: 2005/12/01 APPR: JGUMIN 2005/12/01 REV A	QUALITY SYMBOLS 	GENERAL TOLERANCES (UNLESS SPECIFIED)		DIMENSION STYLE IN/MM		SCALE 2:1	DESIGN UNITS INCH	THIRD ANGLE PROJECTION			
		4 PLACES ± --- ± ---	3 PLACES ± --- ± ---	2 PLACES ± --- ± ---	1 PLACE ± --- ± ---	DRAWN BY RPACIFICI	DATE 2005/10/18	TITLE LC SIMPLEX BEZEL ADAPTER KITS			
		ANGULAR ±1/2°				APPROVED BY		DATE	MATERIAL NO.		
		DRAFT WHERE APPLICABLE MUST REMAIN WITHIN DIMENSIONS				SIZE C		SEE TABLE		DOCUMENT NO. SD-106004-307X	SHEET NO. 1 OF 01