

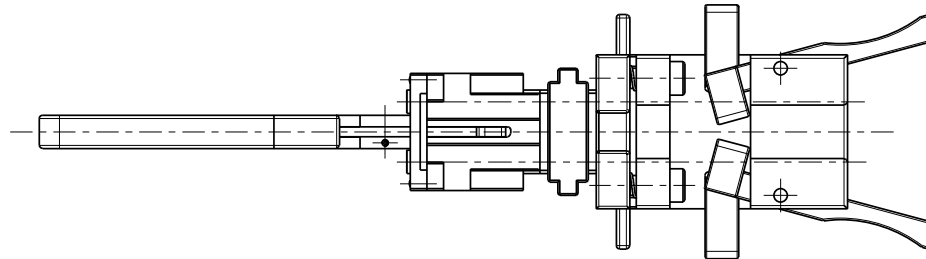
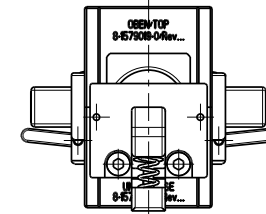
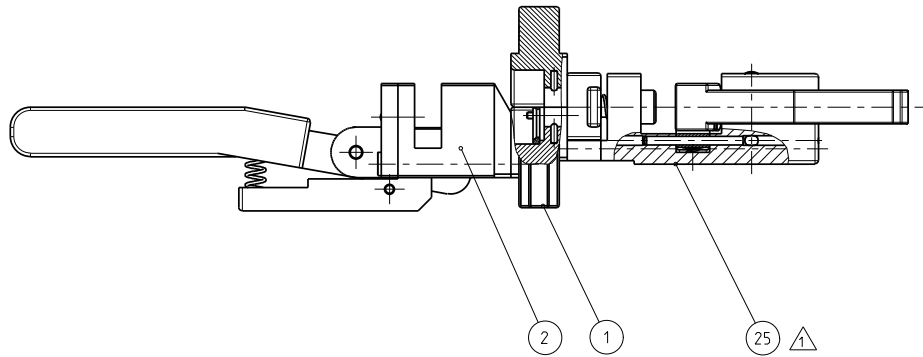
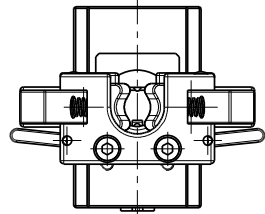


CRIMP DATA (TE TERMINAL)					
TERMINAL NAME	SHIELD CRIMP HVA280				
CRIMP	SIZE		TYPE	RANGE	
WIRE					
INSUL					
WIRE STRIP LENGHT	34 +/- 1 mm		APPLICATOR INSTRUCTION		
TERMINAL APPL SPEC 114-13305 / 114-13310	PRODUCT SPECIFICATION		FEED		
TERMINALS APPLIED			SEALS		
Assy PN 210315	-	-	-	-	-
-	-	-	-	-	-
-	-	-	-	-	-
-	-	-	-	-	-
-	-	-	-	-	-
-	-	-	-	-	-
WIRE SIZE (mm ² AWG)	CRIMP HEIGHT		REF SETTING		
	11,8 mm				
-	-		-		
-	-		-		
-	-		-		
-	-		-		
-	-		-		
-	-		-		
-	-		-		
REMARK: Die set used to apply HVA280-2phm shunted HVIL (see 114-13305) Cable Coroplast 2x4,0 mm ² , supplier part number 9-2641 Die set used to apply HVA280-2phm pass through HVIL (see 114-13310) Cable Kronberg&Schubert 2x4,0 mm ² and 2x0,5 mm ² , supplier part number 649940939-2641					
TYPE: Die set with locator for shielded crimp					
TERMINATOR: Crimping machine PN 528008-4					

P	LTR	REVISION RECORD	DATE	DWN	APVD	PRINTED	DWN	26SEP14	CHK	APVD
-	B	INITIAL RELEASE	29MAY2012	BM	GS	26SEP14	C.WITT	-	-	-
-	B1	ECR-12-018185	18OCT2012	BM	GS	WEIGHT	DIMENSION (mm)	MATERIAL	HT TR	
-	C	ECR-12-019622	12NOV2012	WI	WI	-	-	-	-	-
-	D	ECR-14-013923	26SEP2014	WI	WI	 TOLERANCES UNLESS OTHERWISE SPECIFIED SEE SHEET 1		 TE Connectivity SPARE AND WEAR PARTS LIST		
THIS DRAWING IS A CONTROLLED DOCUMENT FOR TYCO ELECTRONICS CORPORATION. IT IS SUBJECT TO CHANGE AND THE CONTROLLING ENGINEERING ORGANIZATION SHOULD BE CONTACTED FOR THE LATEST REVISION. DIESES ZEICHNUNGSDOKUMENT WIRD DURCH TYCO ELECTRONICS CORPORATION KONTROLLIERT. ÄNDERUNGEN DIE DEM TECHNISCHEN FORTSCHRITT DIENEN, SIND VORBEHALTEN. DEN JEWEILS LETZTGÜLTIGEN ÄNDERUNGSSTAND ERFAHREN SIE AUF ANFRAGE						NAME DIE SET, INCL. LOCATOR HVA280		RESTRICTED TO		
SCALE		SIZE		DRAWING NO		SHEET		REV		
-		A4		C-1-528041-8		1/3		D		

THIS DRAWING IS UNPUBLISHED. RELEASED FOR PUBLICATION 2012
 COPYRIGHT 2012 Tece Electronics MP GmbH ALL RIGHTS RESERVED.

LOC	DIST	REVISIONS					
		P	LTR	DESCRIPTION	DATE	DWN	APVD
A1	-	B		INITIAL RELEASE	29MAY2012	BM	GS
		B1		ECR-12-018185	18OCT2012	BM	GS
		C		ECR-12-019622	12NOV2012	WI	WI
		D		ECR-14-013923	26SEP2014	WI	WI



Matrize in Kombination mit hydraulischer Handzange TE PN 9-1579009-1 verwendbar
 Die set used in combination with hydraulic hand foot TE PN 9-1579009-1

△ Location to stick on label pos. 25

THIS DRAWING IS A CONTROLLED DOCUMENT.		DPN C. Witt	08AUG2011	STE TE Connectivity
		CHK C. Witt	08AUG2011	
DIMENSIONS: mm	TOLERANCES UNLESS OTHERWISE SPECIFIED:	APVD -	NAME DIE SET, INCL. LOCATOR HVA280 MATRIZE INKL. LOCATOR HVA280	RESTRICTED TO
	0 PLC ±	PRODUCT SPEC -	SIZE CASE CODE DRAWING NO A2 00779 C=1-528041-8	
MATERIAL	FINISH	WEIGHT 1.25 kg	SCALE 1:1	SHEET 3 OF 3
		CUSTOMER DRAWING	REV D	