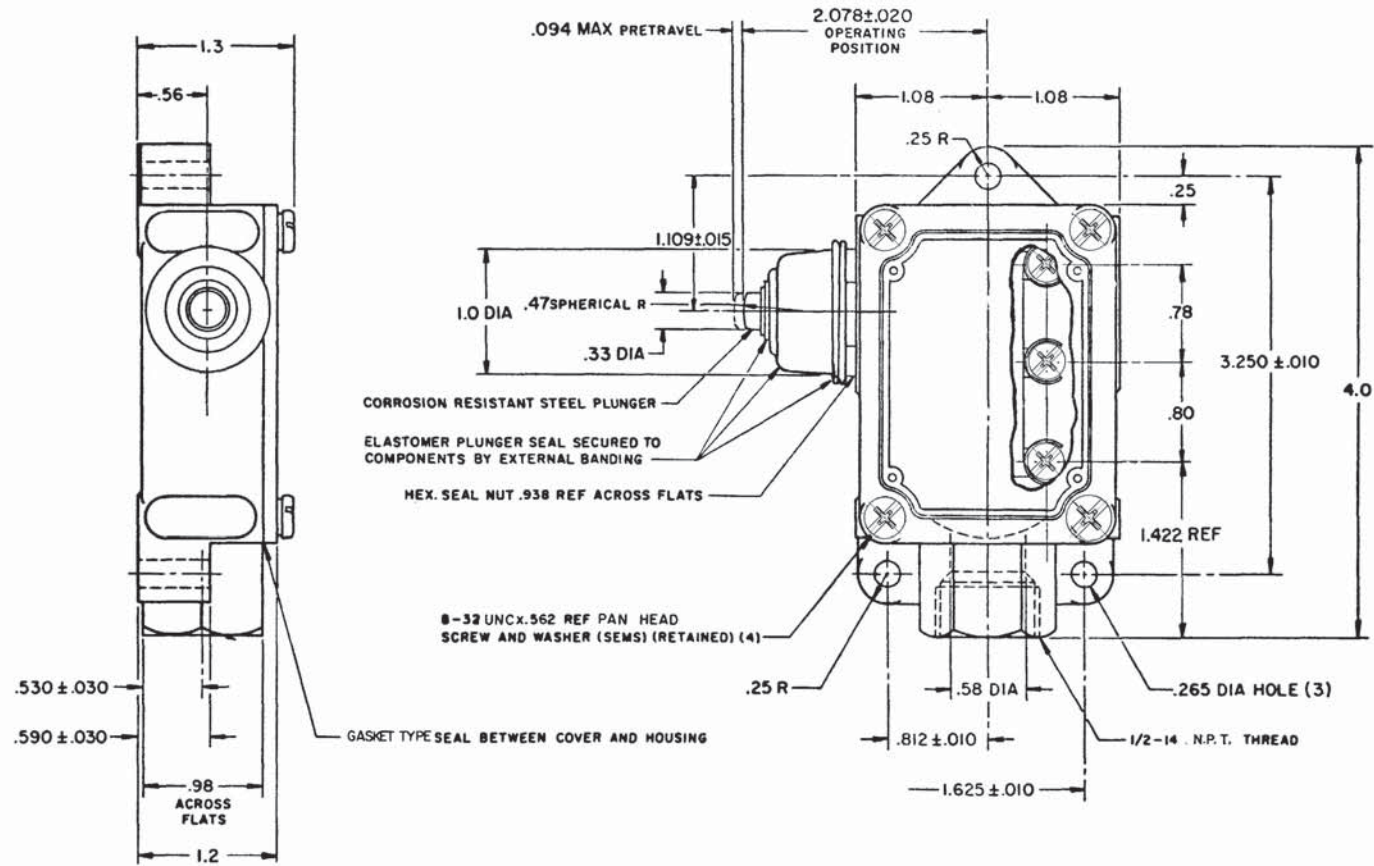


RELEASE NO. 1  
CHECK 25 MAY 95  
CHECK JJA  
CHECK 16 MAY 95

**MICRO SWITCH**  
a Honeywell Division  
FED. MFG. CODE 91929

DWITCH-ENCLOSED

CATALOG LISTING  
**BZFI-2RN-RH**  
(RIGHT HAND)



THIS DRAWING COVERS A PROPRIETARY ITEM AND IS THE PROPERTY OF MICRO SWITCH, A DIVISION OF HONEYWELL. THIS DRAWING IS NOT TO BE COPIED OR USED WITHOUT THE APPROVAL OF MICRO SWITCH.

THIRD ANGLE PROJECTION

CHARACTERISTICS	ELECTRICAL DATA
OPERATING FORCE ----- 2 LB MAX	CONTACT ARRANGEMENT S P D T
RELEASE FORCE ----- 1/2 LB MIN	-L96- 15 A-125, 250, OR 480 VAC 1/2 A-125 VDC; 1/4 A-250 VDC 1/8 HP-125 VAC; 1/4 HP-250 VAC
DIFFERENTIAL TRAVEL ----- .004 MAX	
OVERTRAVEL ----- .219 MIN	
BASIC SWITCH REPLACEMENT BZ-2R70B-P7	

SCALE	DO NOT SCALE PRINT
FULL	UNLESS OTHERWISE SPECIFIED TOLERANCES ARE
	ONE PLACE (.01) ± .030
	TWO PLACE (.00) ± .015
	THREE PLACE (.000) ± .005
	ANGLES ±
	WEIGHT .500 LB

NOTE

1 - 8-32 UNC X (.219) BINDER HEAD, COMBINATION, TERMINAL SCREWS AND CUP WASHERS (SEMS) (3)