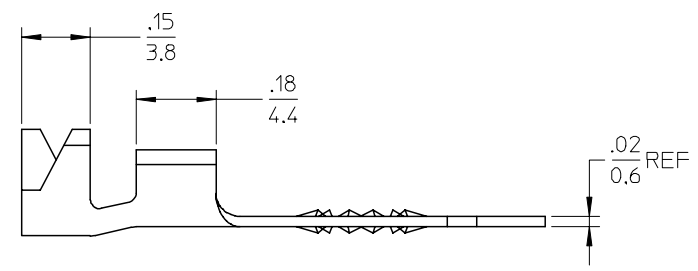
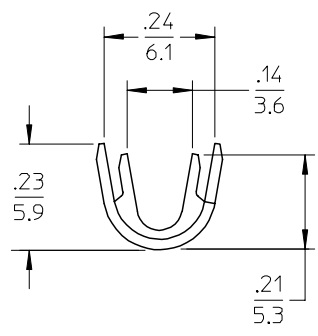
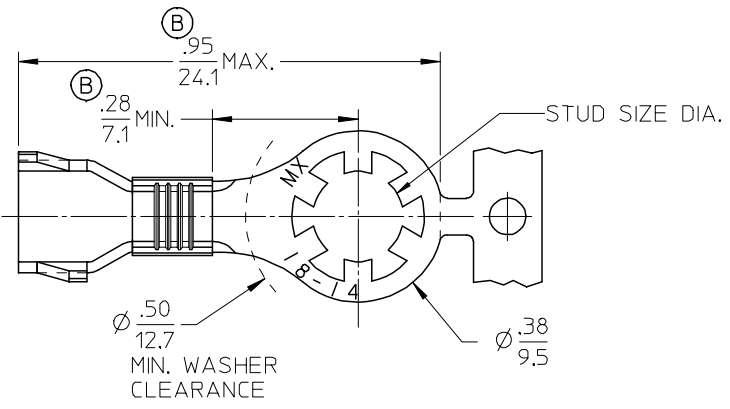


MATERIAL NO.	ENG. NO.	STUD SIZE	"S"±.003	MATERIAL	PLATING
190840001	SRZ-0129-06	6	.146/3.71	BRASS	NONE
190840002	SRZ-0129-08	8	.173/4.39		
190840003	SRZ-0129-10	10	.198/5.03	BRASS	TIN
190840004	SRZ-4129-06	6	.146/3.71		
190840005	SRZ-4129-08	8	.173/4.39		
190840006	SRZ-4129-10	10	.198/5.03	STEEL	
190840007	SRZ-S-4129-06	6	.146/3.71		
190840008	SRZ-S-4129-08	8	.173/4.39		
190840009	SRZ-S-4129-10	10	.198/5.03		



SALES DRAWING

NOTE(S):
 1. WIRE: SIZE: 18-14 AWG
 0.7 - 2.6 MM²

UPDATE TO MX STDS EC NO: ETC2001-0128 DRWNG: JYR/CK 2005/02/18 CHKD: JPAML/CK 2005/02/18 APPR: JPAML/CK 2005/02/18	DESCRIPTION REV	QUALITY SYMBOLS ▽=0 ▽=0	GENERAL TOLERANCES (UNLESS SPECIFIED)		DIMENSION STYLE IN/MM	SCALE	DESIGN UNITS INCH	THIRD ANGLE PROJECTION		
		4 PLACES ± --- ± ---	mm INCH	DRAWN BY JHACKNEY	DATE 1995/05/05	TITLE OPEN BARREL STRIP STAR RING, VIBRAKRIMP 18-14 AWG				
		3 PLACES ± --- ± .005		CHECKED BY RDEROSS	DATE 1995/05/05	MOLEX INCORPORATED				
		2 PLACES ± 0.13 ± .01 1 PLACE ± 0.25 ± --- ANGULAR ± 1/2°		APPROVED BY RDEROSS	DATE 1995/05/05	MATERIAL NO. SEE CHART	DOCUMENT NO. SD-19084-001	SHEET NO. 1 OF 1		
DRAFT WHERE APPLICABLE MUST REMAIN WITHIN DIMENSIONS			THIS DRAWING CONTAINS INFORMATION THAT IS PROPRIETARY TO MOLEX INCORPORATED AND SHOULD NOT BE USED WITHOUT WRITTEN PERMISSION							