

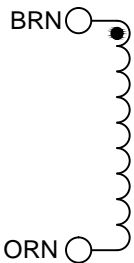
PRIMARY

SECONDARY

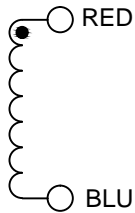
PRIMARY #1
117V 50/60Hz



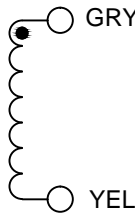
PRIMARY #2
117V 50/60Hz



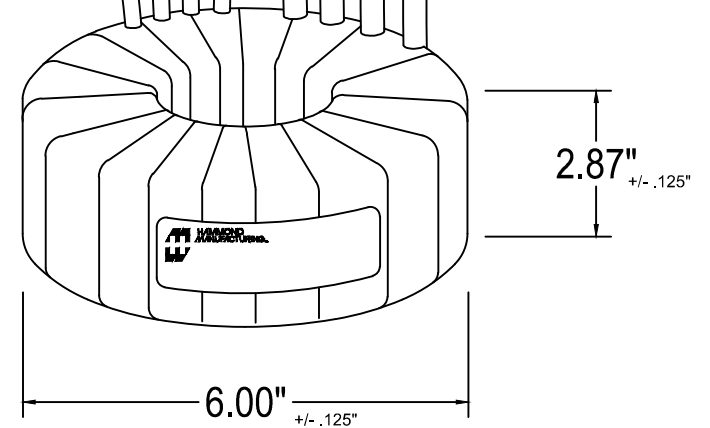
SECONDARY #1
30V @ 12.50Amps



SECONDARY #2
30V @ 12.50Amps



PRIMARY LEADS ARE #16 TEW
SECONDARY LEADS ARE #12 TEW
ALL LEADS OUT 8"-9" AND STRIPPED 0.5" MIN.
WEIGHT: 12.87Lbs +/- 4%



HAMMOND MANUFACTURING
1182T30
50/60Hz VA:750
PRI: 2x 117V BLK-WHT, BRN-ORN
SEC: 2x 30V @ 12.50A RED-BLU, GRY-YEL
1A0750A000C030030
MADE IN CANADA DATE PB
RoHS Compliant
CE, UL, ENEC

SUPPLIED WITH: TWO 0.093" T X 4.75" OD RUBBER WASHERS.
ONE 16GA X 4.30" OD STEEL MOUNTING WASHER.
ONE 3/8-16 BOLT 3.50" LONG WITH A LOCK WASHER AND 3/8-16 HEX NUT.

ELECTRICAL DATA:		
TESTS	CONDITIONS	ACCEPTANCE CRITERIA
Sec. N.L.V	@ 117V, 60Hz BLK & BRN to WHT & ORN	
OR	@ 234V, 50Hz BLK to ORN (Connect BRN & WHT)	
	RED - BLU	30.92 V ±2%
	GRY - YEL	30.92 V ±2%
POLARITY	BLK, BRN, RED and GRY.	ADDITIVE
DCR	BLK - WHT	0.495 Ohms ±20%
IN OHMS	BRN - ORN	0.495 Ohms ±20%
	RED - BLU	0.040 Ohms ±20%
	GRY - YEL	0.040 Ohms ±20%
HI POT	PRIMARY - SECONDARY	4000V, 60Hz, 1 SEC
	PRIMARY - PRIMARY	600V, 60Hz, 1 SEC
	SECONDARY - SECONDARY	600V, 60Hz, 1 SEC

PROPERTY AND COPYRIGHT NOTICE			
THIS DRAWING AND THE INFORMATION IT CONVEYS ARE THE PROPERTY OF HAMMOND MANUFACTURING. IT MAY NOT BE REPRODUCED, TRANSMITTED OR USED IN ANY MANNER WHATSOEVER WITHOUT THE WRITTEN PERMISSION OF HAMMOND MANUFACTURING.			
REV	NOTES	BY	DATE
1	UPDATED THE HARDWARE, WAS 1/4-20 X 3.5" LONG.	GG	15/04/14
		ELECTRONIC DIVISION 52 RANKIN PLACE, WATERLOO, ONTARIO, N2J 3Z5 PHONE: 519.886.6181 FAX: 519.886.9540	
TOROID POWER TRANSFORMER			
DRAWN G. GRAY		DATE 21/03/2014	NUMBER 1182T30
APPROVED		DATE	