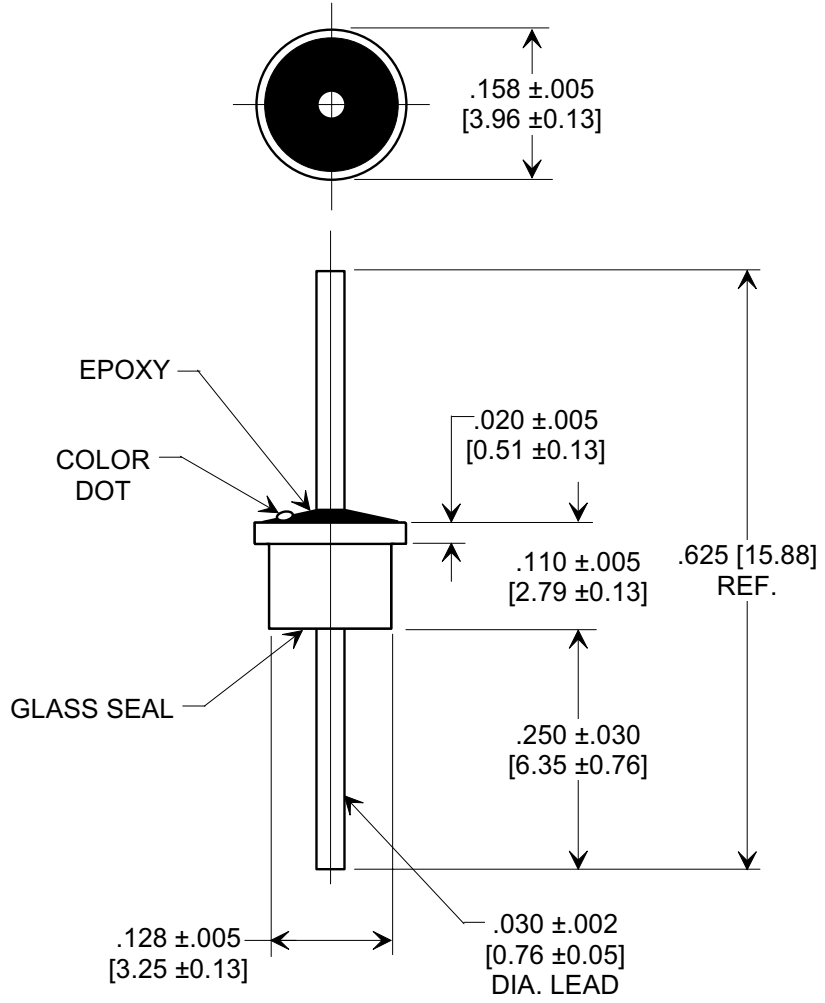
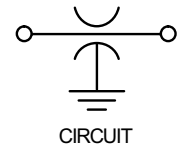
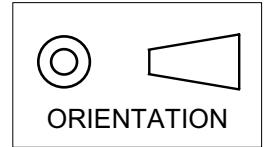


MARKETING SALES DRAWING
 DIMENSIONS IN INCHES - DO NOT SCALE THIS DRAWING
 DIMENSIONS IN METRIC - []

Electrical Testing
 per Tusonix standard
 test plans and Mil-Std-202
 Test Methods.



NOTES:

- Operating temperature range: -55°C to +125°C.
- Gold plated case and lead.
- Epoxy sealed on opposite end from glass seal.
- Max. recommended soldering temperature: 260°C.
See installation recommendations.
- Recommended mounting hole: .135 [3.43] dia.
- Solder preform available for mounting.
- Tusonix Standard part number: 4300-014.
Tusonix RoHS compliant part number: 4300-014 LF.
Customer must specify Standard or RoHS part number when ordering.
- RoHS compliant part marked with additional dark green dot for identification.

Cx (pF)	TOL.	DC WORKING VOLTAGE		DC CURRENT (AMPS)	MIN. NO LOAD INSERTION LOSS (dB) @ 25° C PER MIL-STD-220					COLOR CODE
		85°C	125°C		1 MHz	10 MHz	100 MHz	1GHz	10 GHz	
50,000	GMV	50	50	5	15	35	45	70	---	BLUE--BLUE

REVISION RECORD Original Release C.O. 20020109-6-01 ADDED NOTES 7 & 8. S.M. 05-23-05 20050511-2-19	0	--TOLERANCES-- Unless Otherwise Specified DECIMAL ± ANGLES ±	Title	
	1		SOLDER MOUNT EMI FILTER	
	Drawn L.E. 01-09-02		Scale 5 X	
	Approved T.C. 01-09-02		A	
TUSONIX TUCSON, ARIZONA		4300-014		

X-2015 Rev-0