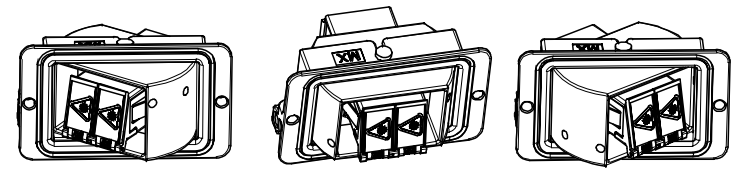
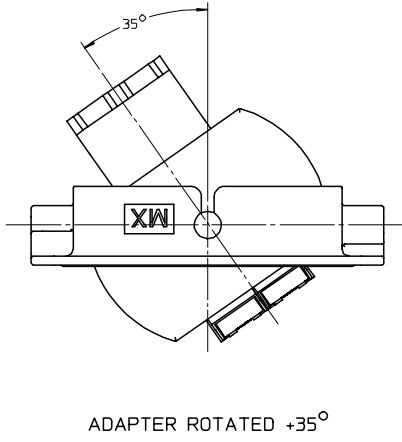
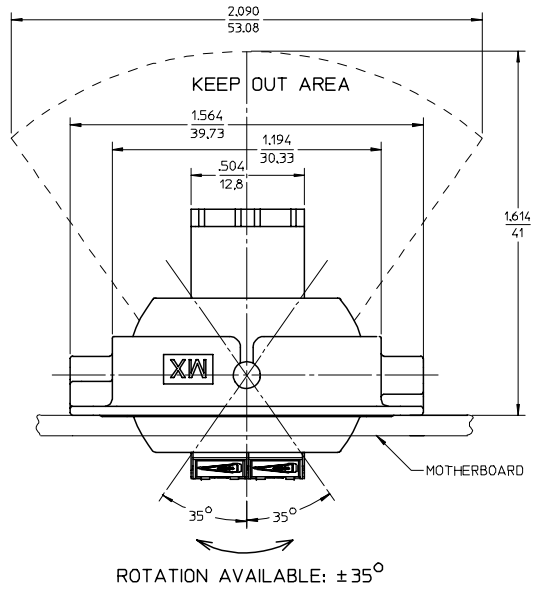
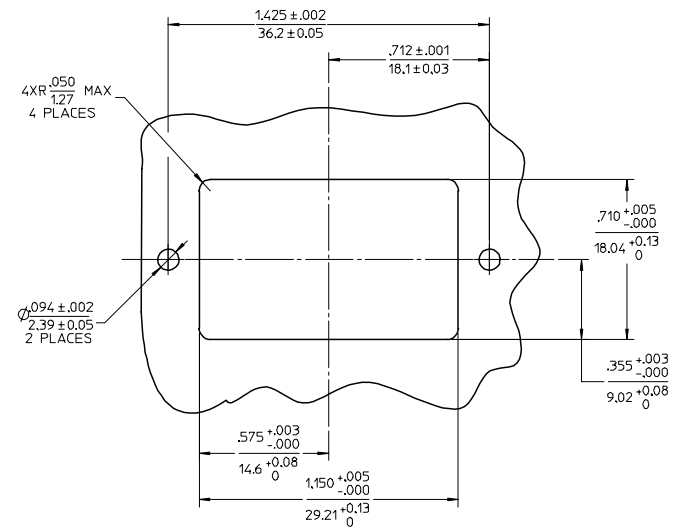
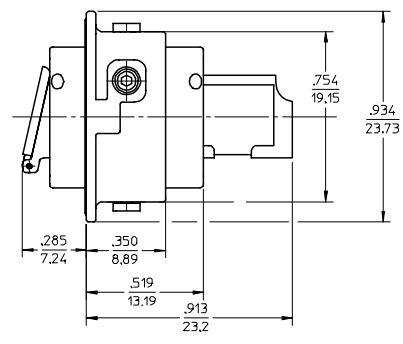
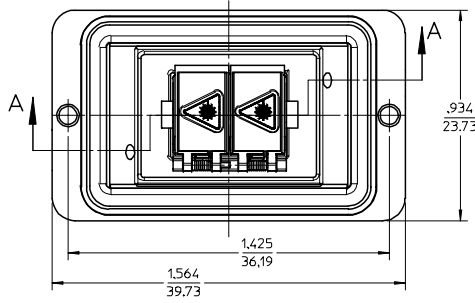


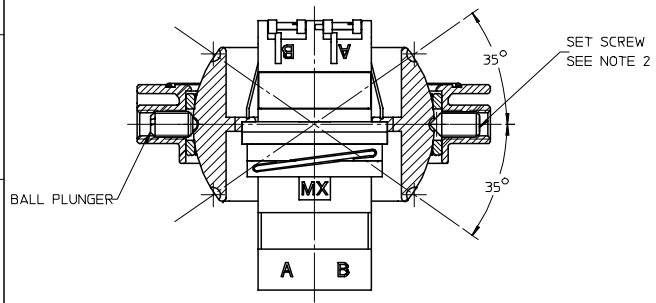
13 12 11 10 9 8 7 6 5 4 3 2 1



ISOMETRIC VIEWS  
SCALE: 1.5:1



RECOMMENDED MOUNTING PATTERN



- NOTES:
1. ALL DIMENSIONS ARE FOR REFERENCE ONLY.
  2. USE SET SCREW TO FIX LC ADAPTER IN THE REQUIRED POSITION: -35°, 0°, +35°.
  3. SWIVEL ADAPTER IS ALSO AVAILABLE AS SC, MU, AND MPO VERSIONS.

ENTER DESCRIPTION EC NO: MF2006-0389 DRAWN: PGIBLIN 2005/12/14 CHKD: 2005/12/14 APPR: JGUMIN 2005/12/14 REVISIONS A	QUALITY SYMBOLS ▽=0 ▽=0	GENERAL TOLERANCES (UNLESS SPECIFIED)		DIMENSION STYLE INCH ONLY		SCALE 1:1	DESIGN UNITS INCH	THIRD ANGLE PROJECTION	
		4 PLACES ± --- ± --- 3 PLACES ± --- ± --- 2 PLACES ± --- ± --- 1 PLACE ± --- ± --- ANGULAR ±1/2°	mm INCH ± --- ± --- ± --- ± --- ± --- ± --- ± --- ± ---	DRAWN BY PGIBLIN	DATE 2005/12/02	CHECKED BY DATE	TITLE LC EMI SWIVEL ADAPTER BALL PLUNGER/SET SCREW VERSION	APPROVED BY DATE	MATERIAL NO. 1061159500
DRAFT WHERE APPLICABLE MUST REMAIN WITHIN DIMENSIONS		THIS DRAWING CONTAINS INFORMATION THAT IS PROPRIETARY TO MOLEX INCORPORATED AND SHOULD NOT BE USED WITHOUT WRITTEN PERMISSION							

12 11 10 9 8 7 6 5 4 3 2 1