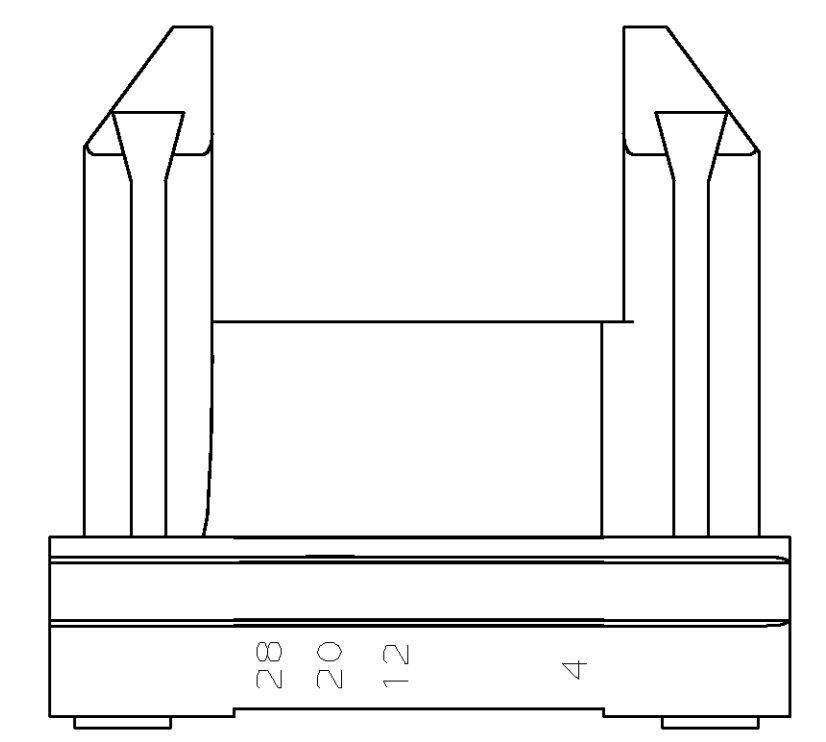
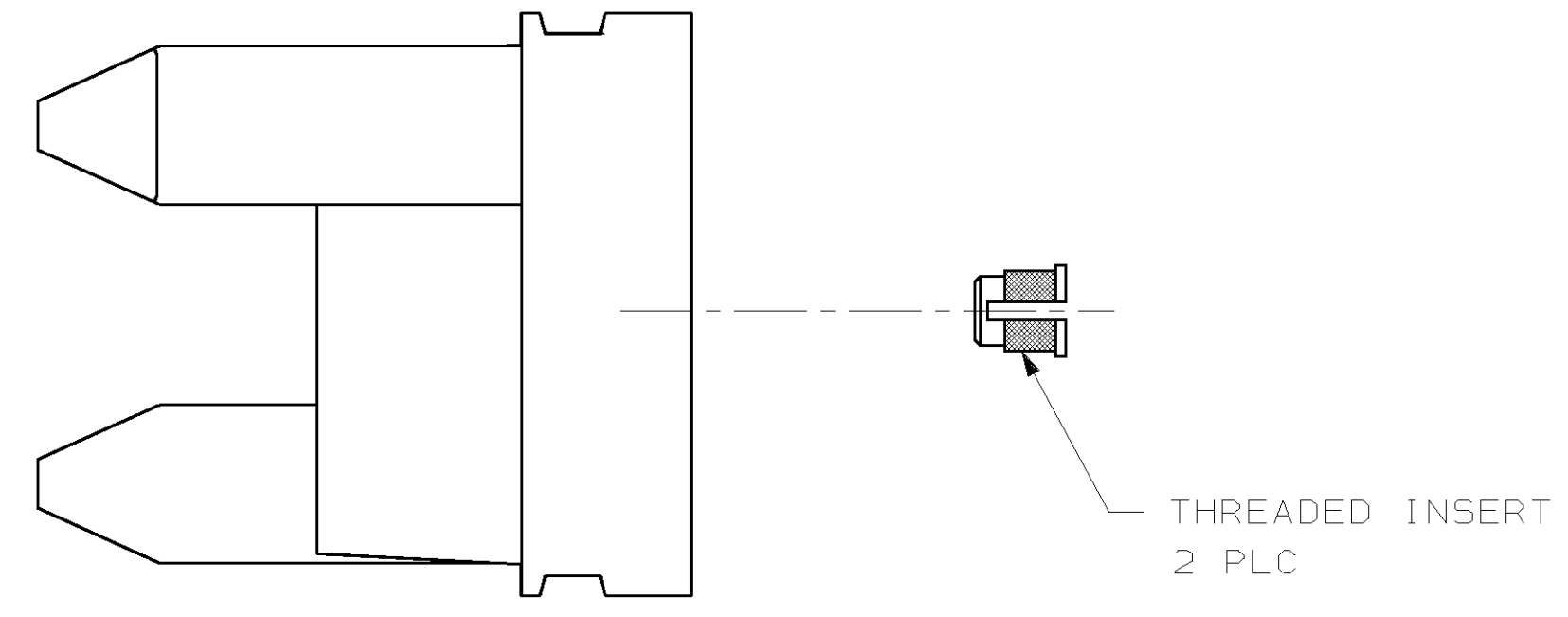
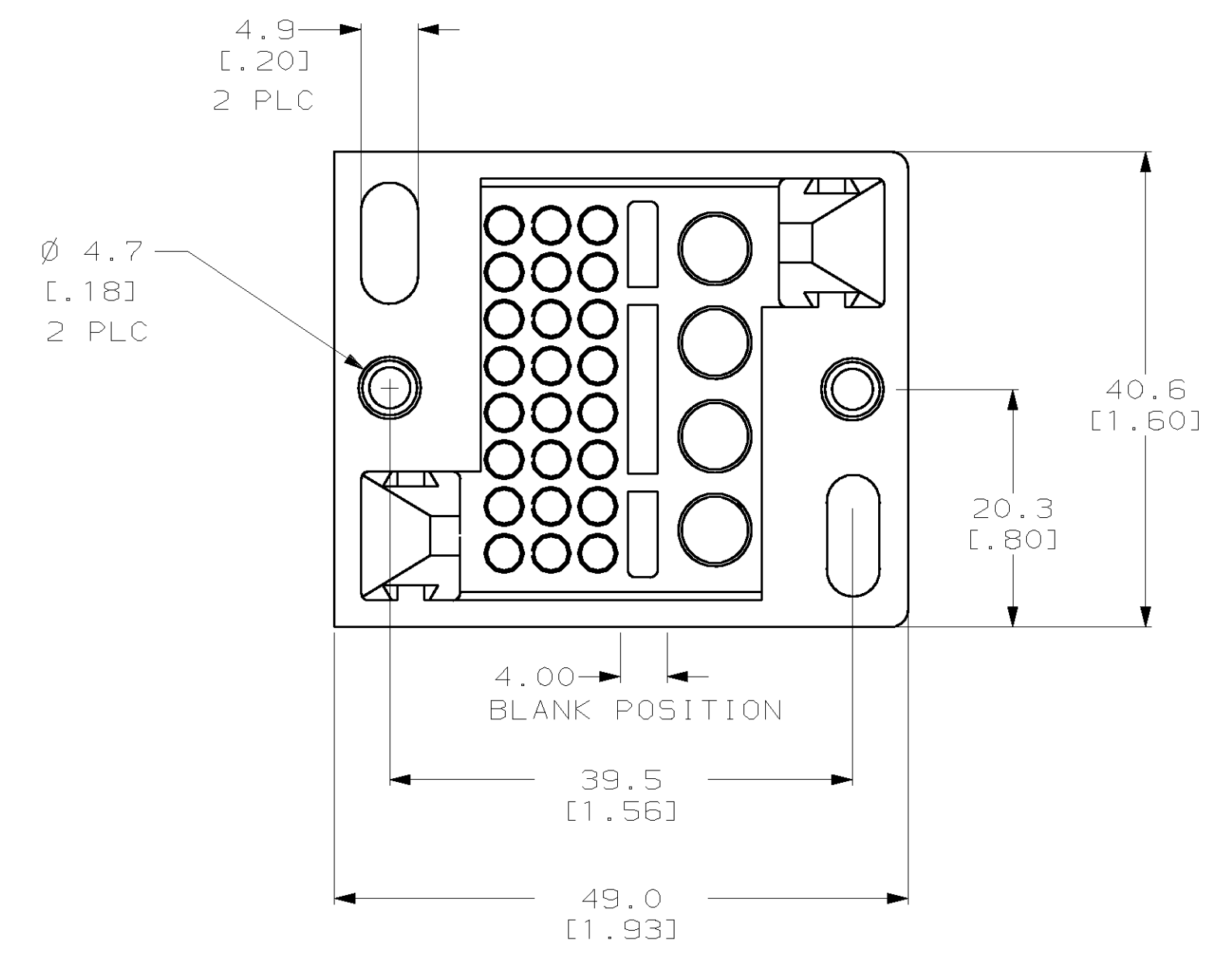
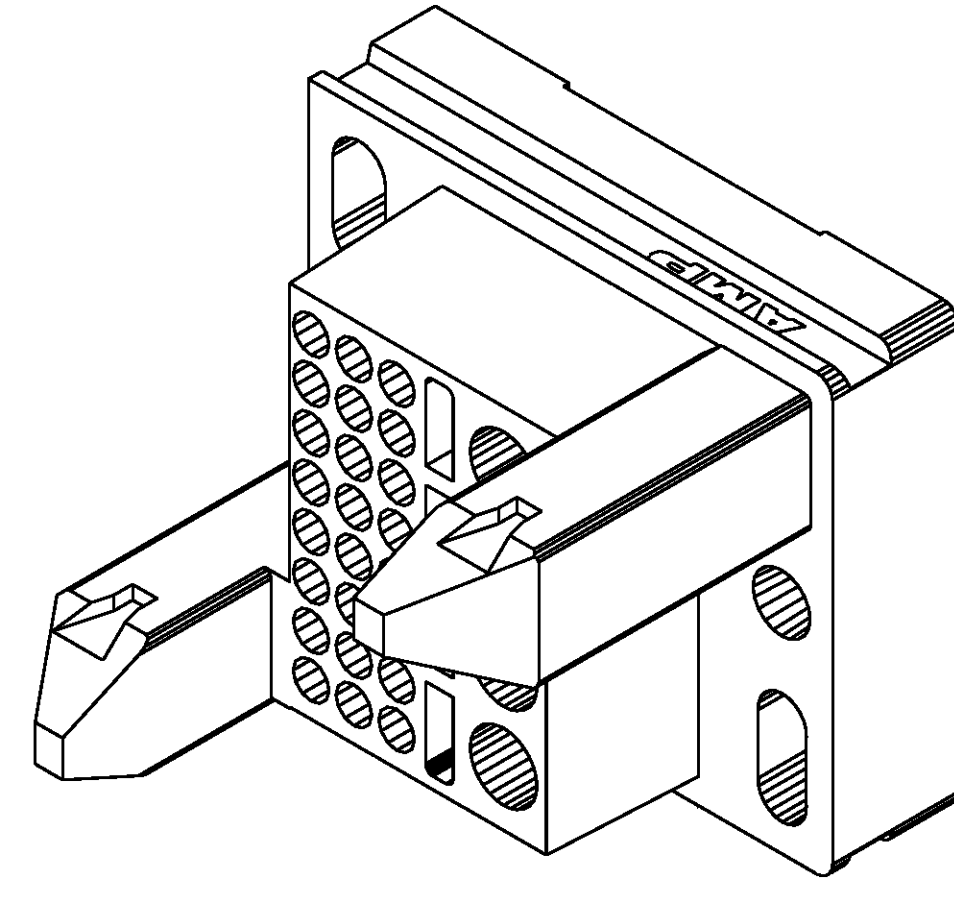
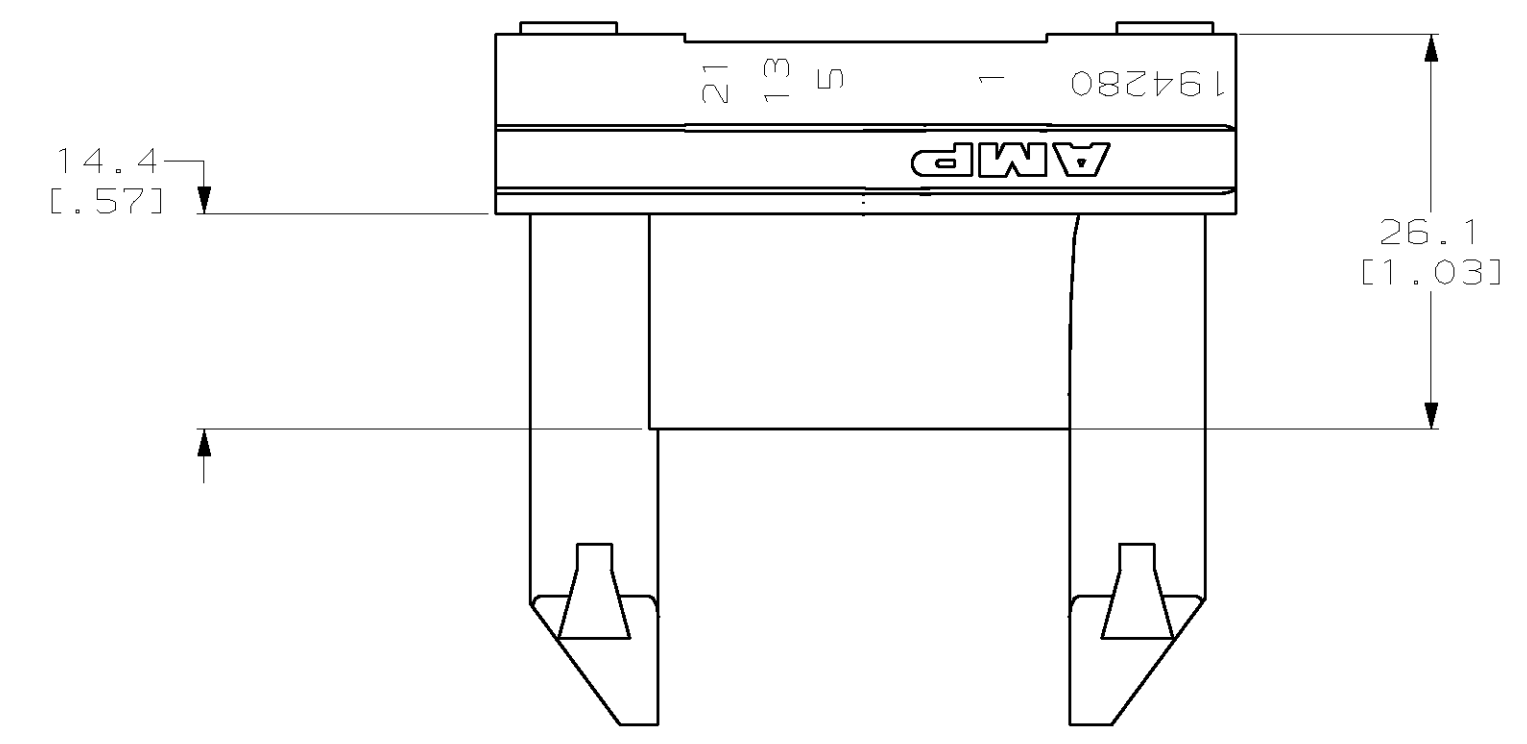


REV	DATE	DESCRIPTION	DATE	BY	APP'D
0	8-AUG-98	RELEASED FOR PRODUCTION		DAP	RAR
A	25/JAN/99	EC OB20-0118-99		RNP	RAR

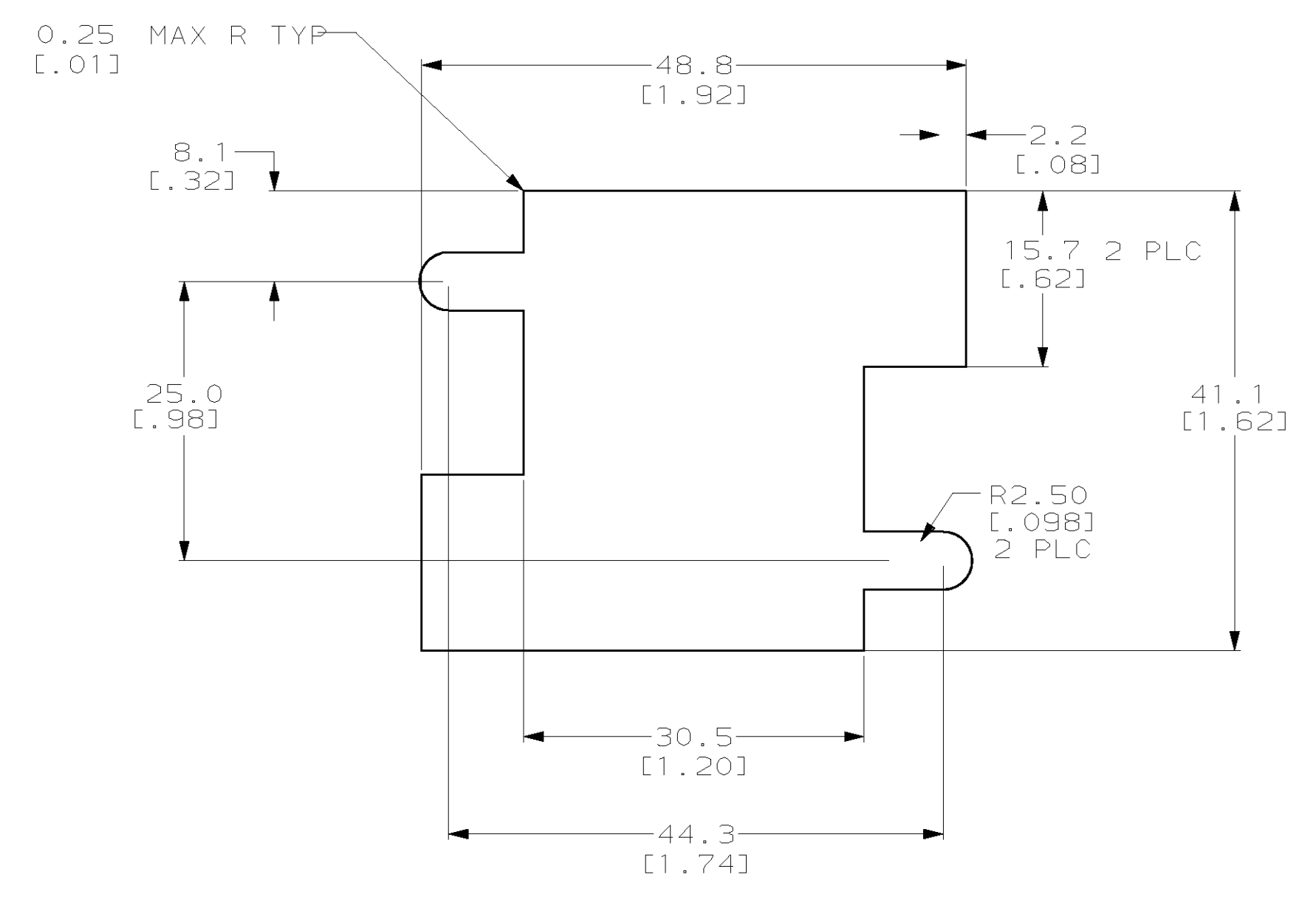
\* AMPPOWER is a trademark

1. MATERIAL: POLYESTER PCT, BLACK.
2. POSITIONS 1-4 ARE FOR 3mm CONTACTS.
3. POSITIONS 5-28 ARE FOR SIZE 16 CONTACTS.
4. ALL DIMENSIONS EXCEPT PANEL CUT OUTS ARE REFERENCE ONLY.

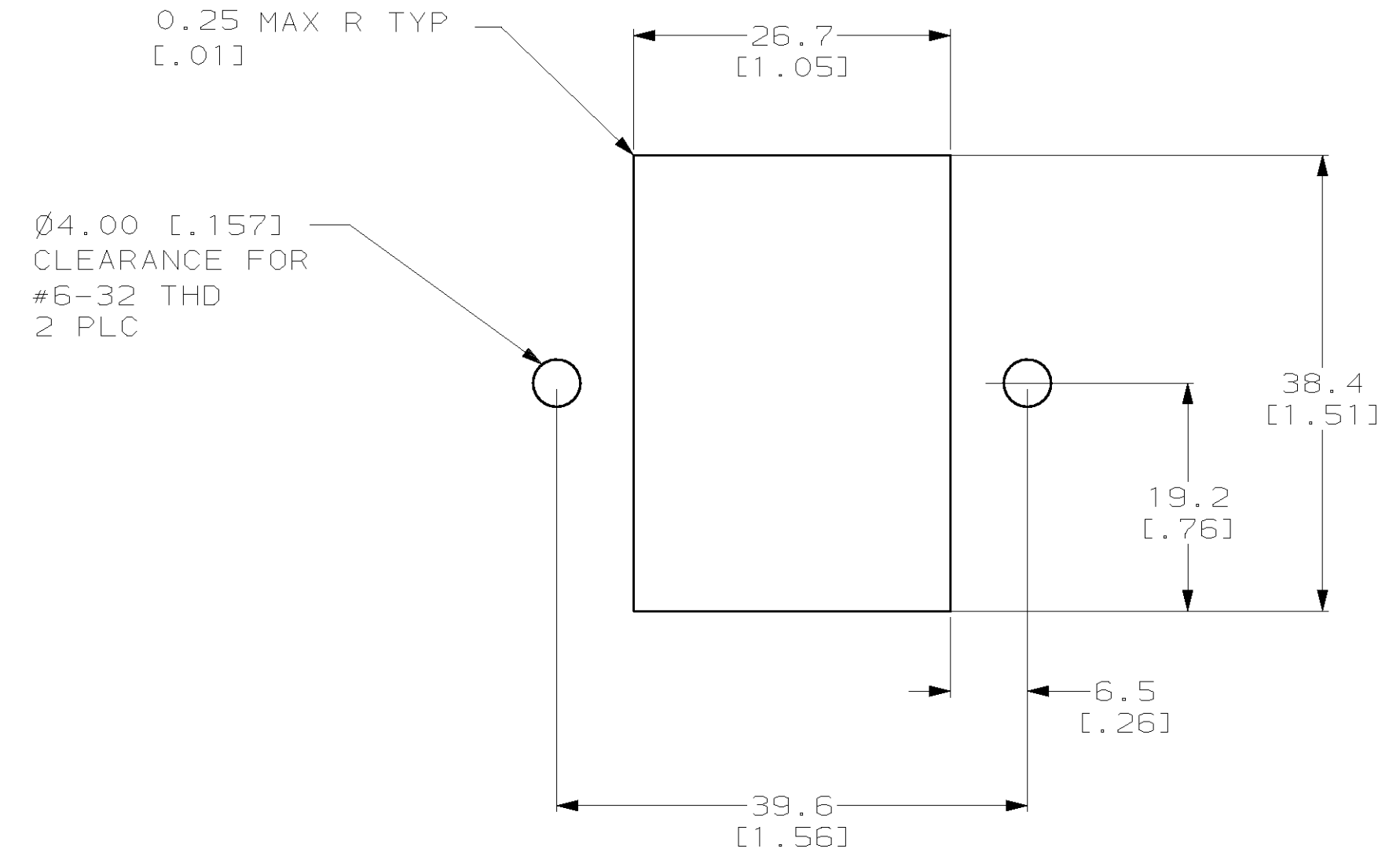


#6-32 THREADED INSERT (REAR MOUNTED)	194280-4
NO INSERTS	194280-1
DESCRIPTION	PART NO

<small>THIS DRAWING IS UNPUBLISHED. IT IS SUBJECT TO CHANGE AND THE CONTROLLING ENGINEERING DEPARTMENT SHALL BE CONTACTED FOR THE LATEST REVISION.</small>		DWN D.A. PUERNER 16/JUN/98
DIMENSIONS: mm (in)		AMP Incorporated Harrisburg, PA 17105-3608
TOLERANCES UNLESS OTHERWISE SPECIFIED:		AMPPOWER* Multi Pin Plus PLUG, 28 POSITION
0 PLC ±.01 1 PLC ±.01 2 PLC ±.01 3 PLC ±.01 4 PLC ±.01 ANGLES ±.01	FINISH: -	SIZE: A1 CAGE CODE: 00779 DRAWING NO: 194280
MATERIAL: POLYESTER PCT, BLACK		WEIGHT: - CUSTOMER DRAWING: - SCALE: NONE SHEET: 12 OF 12 REV: A



RECOMMENDED FLOAT MOUNT PANEL CUTOUT  
 EXTERNAL VIEW



RECOMMENDED STATIONARY MOUNT PANEL CUTOUT  
 EXTERNAL VIEW

THIS DRAWING IS A CONTROLLED DOCUMENT.		Dwn D.A. PUERNER	11/DEC/96	AMP Incorporated Harrisburg, PA 17105-3608
DIMENSIONS:		CH	-	
TOLERANCES UNLESS OTHERWISE SPECIFIED:		APVD	-	NAME
0 PLC	±	PRODUCT SPEC	-	AMPOWER* Multi Pin Plus
1 PLC	±	APPLICATION SPEC	-	PLUG, 28 POSITION
2 PLC	±0.20 [.008]	SCALE	NONE	SIZE
3 PLC	±0.10 [.004]	SCALE	NONE	CAGE CODE
4 PLC	±	SCALE	NONE	DRAWING NO
ANGLES	±	SCALE	NONE	A1 00779
MATERIAL	-	SCALE	NONE	194280
FINISH	-	SCALE	NONE	SCALE NONE SHEET 2 OF 2 REV A
CUSTOMER DRAWING				