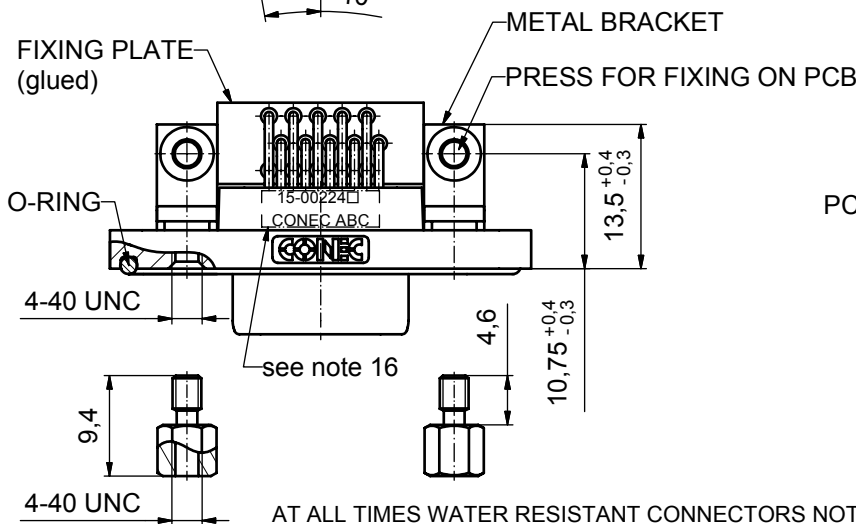
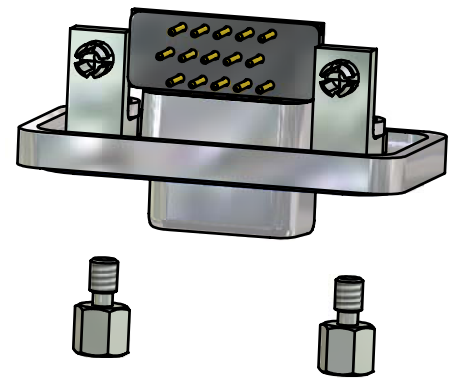
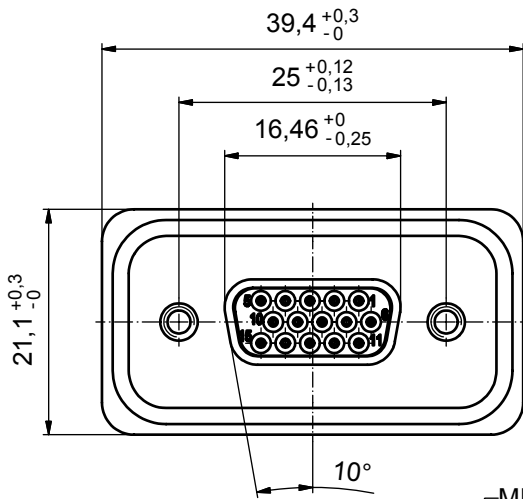
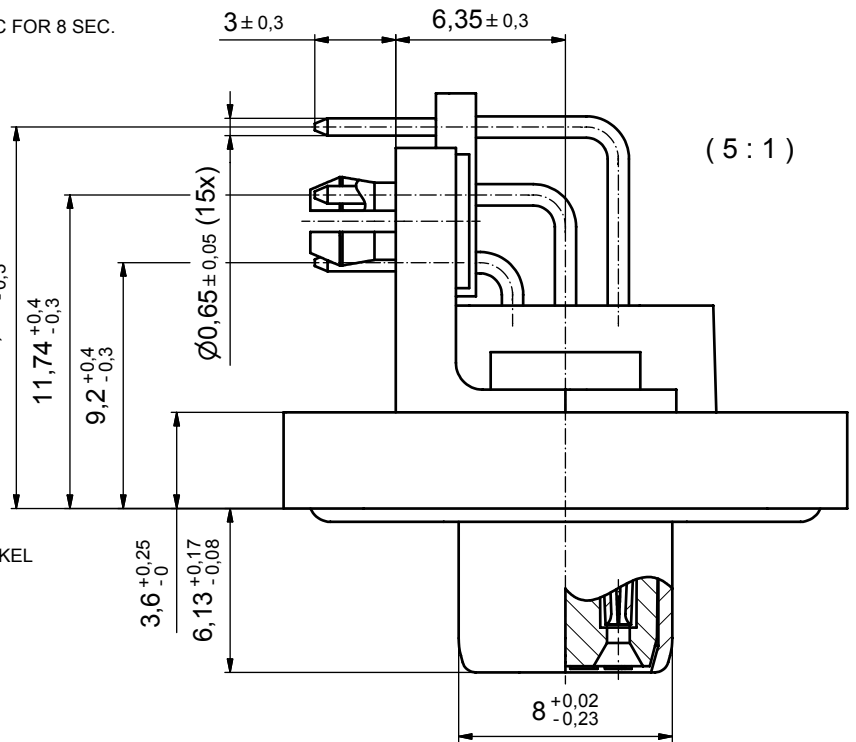


NOTES:

- FOR WAVESOLDERING (SOLDER BATH TEMPERATURE 265°C FOR 8 SEC. AND SOLDER PREHEAT 150°C FOR 180 SEC.)
- IP RATING: IP 67
- SEALED TO WITHSTAND PRESSURE UP TO 1,45 PSI FOR 30 MINUTES AFTER HIGH TEMPERATURE EXPOSURE
- METAL SHELL:  
ZINC DIE CAST; min. 50µin NICKEL PLATING over COPPER
- INSULATORS: PBT GF UL 94 V-0, BLACK
- O-RING: SILICONE PER ASTM D2000 70 SHORE A
- SEALING COMPOUND: EPOXY RESIN UL 94 V-0; BLACK
- CONTACTS: COPPER ALLOY PLATING (SEE PART NO):  
 PLEASE ADD 1 for 30µin HARD GOLD over min. 50µin NICKEL  
 PLEASE ADD 3 for 8µin HARD GOLD over min. 50µin NICKEL
- METAL BRACKETS: ZINC DIE CAST; 300µin COPPER/40-120µin NICKEL/120-200µin TIN
- WASHERS: COPPER ALLOY; 80µin NICKEL
- HEXLOCKING SCREWS: STAINLESS STEEL
- FIXING-PLATE: PBT GF UL 94 V-0; BLACK
- PCB-SNAPS: COPPER ALLOY; min. 200µin TIN over 80µin NICKEL  
PCB-HOLE: Ø3.1±0.1; PCB THICKNESS 1.6mm
- P.C.B. HOLE DRILLINGS and RECOMMENDED PANEL CUT-OUT ON SHEET 2
- RECOMMENDED TORQUE FOR MOUNTING SCREW 35Ncm (3.1 in.LB) / max.67Ncm (6 in.LB)
- CONNECTOR IS PART MARKED: 15-00224 CONEC ABC



AT ALL TIMES WATER RESISTANT CONNECTORS NOT IN USE SHOULD BE COVERED WITH A CONEC WATER RESISTANT CAP OR WATER TIGHT HOOD.

SW 4,8



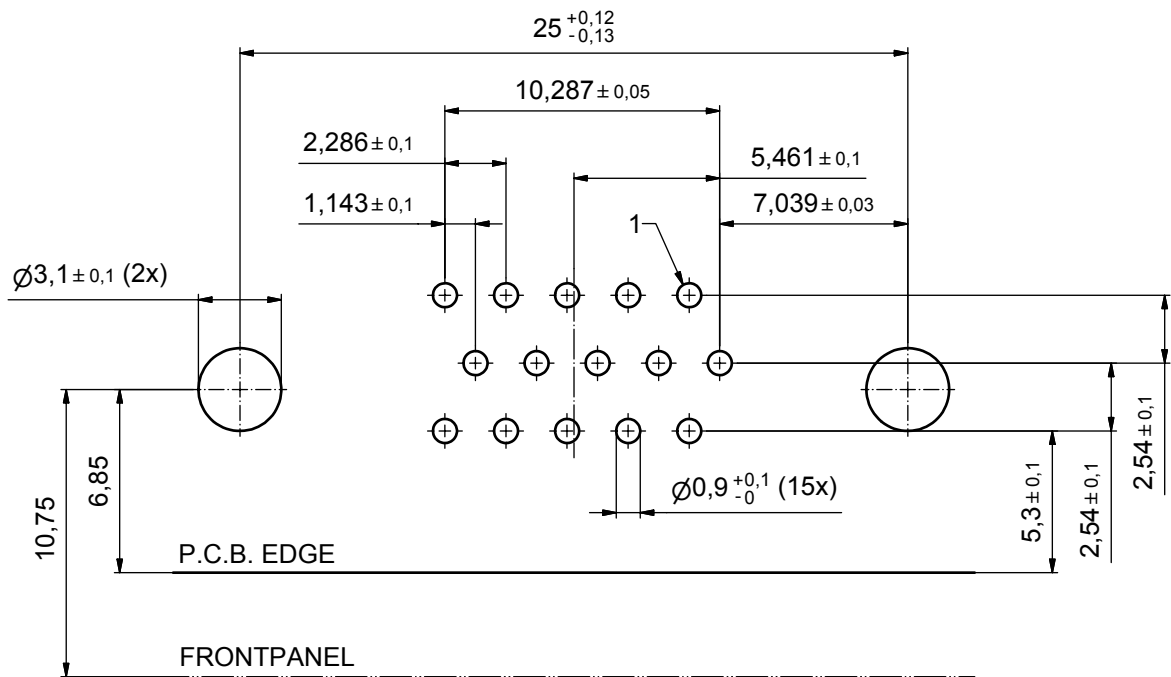
|   |        |
|---|--------|
| APPROVAL # FREIGABE # DEBLOCAGE # AUTORIZACION # APPROVAL |        |
| CUSTOMER APPROVAL DATE:                                   |        |
| NAME:   | TITLE: |
| COMPANY NAME:   |        |
| APPROVAL # FREIGABE # DEBLOCAGE # AUTORIZACION # APPROVAL |        |

|                        |             |      |      |  |                     |  |
|------------------------|-------------|------|------|--|---------------------|--|
| tolerance              |             |      |      | dim. in mm   | scale: 2:1 (5:1)    |  |
| date                   |             |      |      |  | material: see notes |  |
| name                   |             |      |      | title:<br>D-SUB HD FEMALE 90°<br>15pos. SOLDER PIN ANGLED<br>metal bracket, fixing plate, hexlocking screw, snap | dwg no: Inventor 10 |  |
| drawn 23.11.09 Schmidt |             |      |      |  | DIN-A3              |  |
| appd. 27.11.09 Fischer |             |      |      |  | sh: 1               |  |
| norm                   |             |      |      |  | part no: 15K1A500   |  |
| d-old                  |             |      |      | part no: 15-00224 (see note 8)   |                     |  |
| a Origin               |             |      |      | CONEC®   |                     |  |
| rev.                   | description | date | name |  |                     |  |

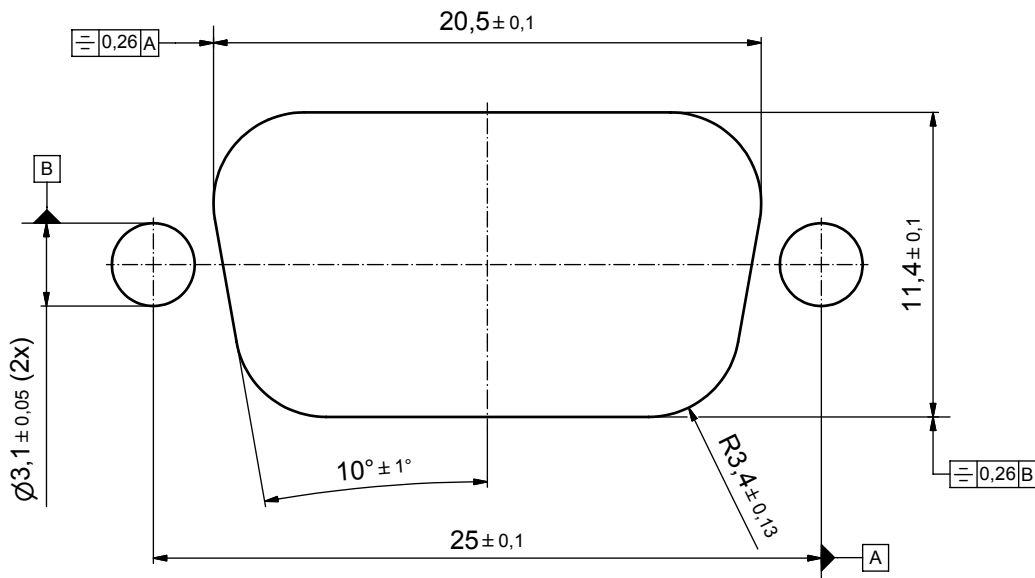
|  |        |
|--|--------|
| title:<br>D-SUB HD FEMALE 90°<br>15pos. SOLDER PIN ANGLED<br>metal bracket, fixing plate, hexlocking screw, snap |        |
| dwg no: Inventor 10  | DIN-A3 |
| sh: 1  |        |
| part no: 15K1A500  |        |
| part no: 15-00224 (see note 8)   |        |

# P.C.B. HOLE DRILLINGS

(P.C.B. TOP SIDE)



## RECOMMENDED PANEL CUT-OUT



|   |        |
|---|--------|
| APPROVAL # FREIGABE # DEBLOCAGE # AUTORIZACION # APPROVAL |        |
| CUSTOMER APPROVAL DATE:                                   |        |
| NAME:   | TITLE: |
| COMPANY NAME:   |        |
| APPROVAL # FREIGABE # DEBLOCAGE # AUTORIZACION # APPROVAL |        |

THIS DRAWING MAY NOT BE COPIED OR REPRODUCED IN ANY WAY, AND MAY NOT BE PASSED ON TO A THIRD PARTY WITHOUT WRITTEN PERMISSION. OWNERSHIP AND COPYRIGHT OF CONEC GmbH

DO NOT ALTER CAD DRAWING BY HAND

| rev. | description | date | name |
|------|-------------|------|------|
| a    | Origin      |      |      |

| tolerance |          | dim. in mm |                  |
|-----------|----------|------------|------------------|
| date      | name     | drawn      | 23.11.09 Schmidt |
| appd.     | 27.11.09 | appd.      | Fischer          |
| norm      |          | d-old      |                  |



|           |  |        |  |
|-----------|--|--------|--|
| scale:    | 5:1  |        |  |
| material: | see sheet 1  |        |  |
| title:    | P.C.B. HOLE DRILLINGS<br>PANEL CUT-OUT<br>D-SUB Female 15pos. HD Solder pin angled 90° |        |  |
| dwg no:   | Inventor 10  | DIN-A3 |  |
|           | 15K1A500   | sh: 2  |  |
| part no:  | see sheet 1  |        |  |