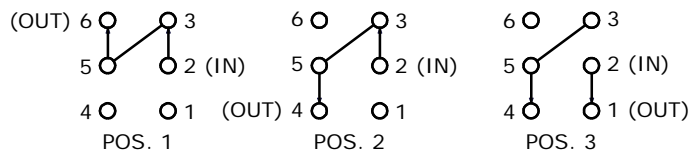
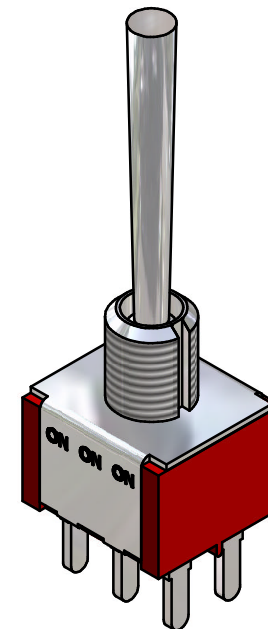
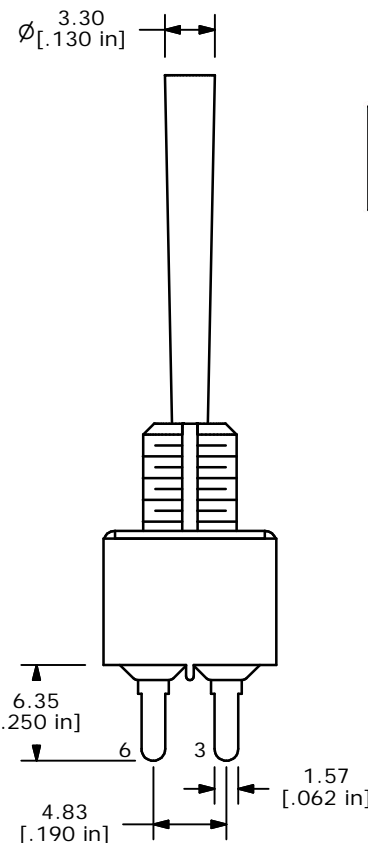
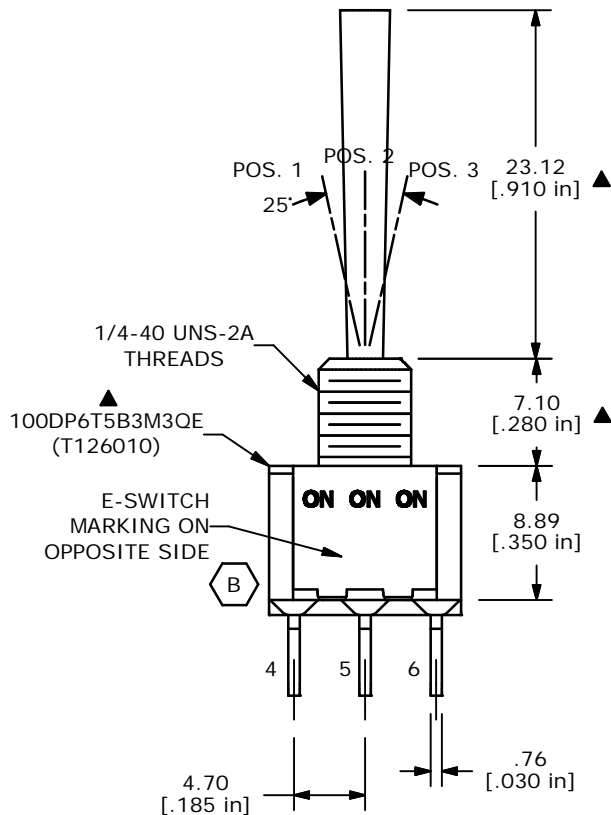
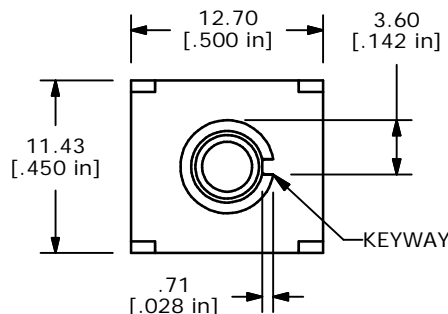


SWITCH FUNCTION		
POS. 1	POS. 2	POS. 3
ON	ON	ON
2-3, 5-6	2-3, 5-4	2-1, 5-4



DPDT 3 WAY CIRCUIT
NOTE: JUMPER PIN 3 TO 5

- NOTE:
1. ALL DIMENSIONS IN MM [INCH]
 2. GENERAL TOLERANCE: X.X=±0.4
X.XX=±0.25
 3. TERMINAL NUMBERS FOR REF ONLY
 - ▲ 4. PLATING MATERIAL: SILVER
 5. RATING: 5 AMPS @ 120VAC OR 28VDC
2 AMPS @ 250VAC
 6. ELECTRIC LIFE: 40,000 MAKE-AND-BREAK CYCLES AT FULL LOAD.
 7. INSULATION RESISTANCE: 1,000 MEGA-OHM MIN.
 8. DIELECTRIC STRENGTH: 1,000 V RMS @SEA LEVEL.
 9. OPERATING TEMP.: -30°C to 85°C
 - ▲ 10. HARDWARE TO BE SHIPPED BULK
T100000 - HEXNUT - QTY 2
T100011 - LOCKWASHER - QTY 1
T100015 - LOCKRING - QTY 1
 10. ▲ DENOTES CRITICAL PARAMETER.



ISOMETRIC

E-SWITCH®

B	14757	UPDATE FUNCTION ON BODY	3/9/05	AR
A	14673	RELEASED FOR PRODUCTION	2/16/05	AR
REV	PCR NO	DESCRIPTION	DATE	BY

TITLE 100DP6T5B3M3QEH				
SCALE	DATE	DR	DWG	REV
2:1	2/16/05	AR	ST126010	B

THE INFORMATION CONTAINED IN THIS DOCUMENT IS PROPRIETARY TO E-SWITCH AND IS NOT TO BE COPIED OR TRANSFERRED