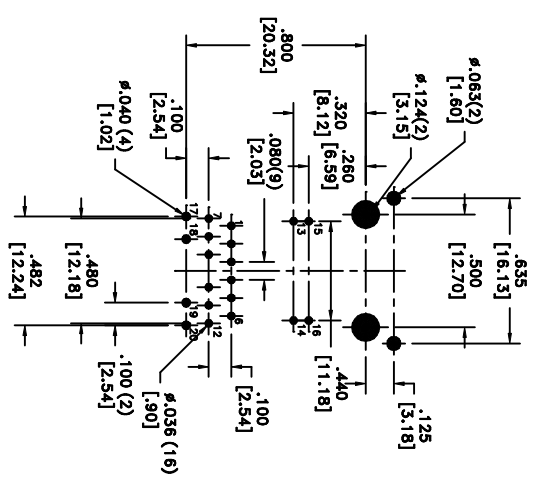
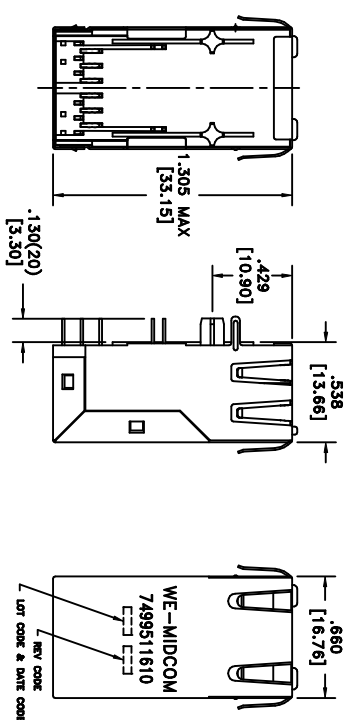
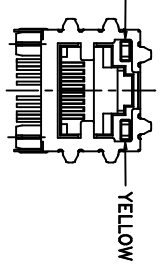
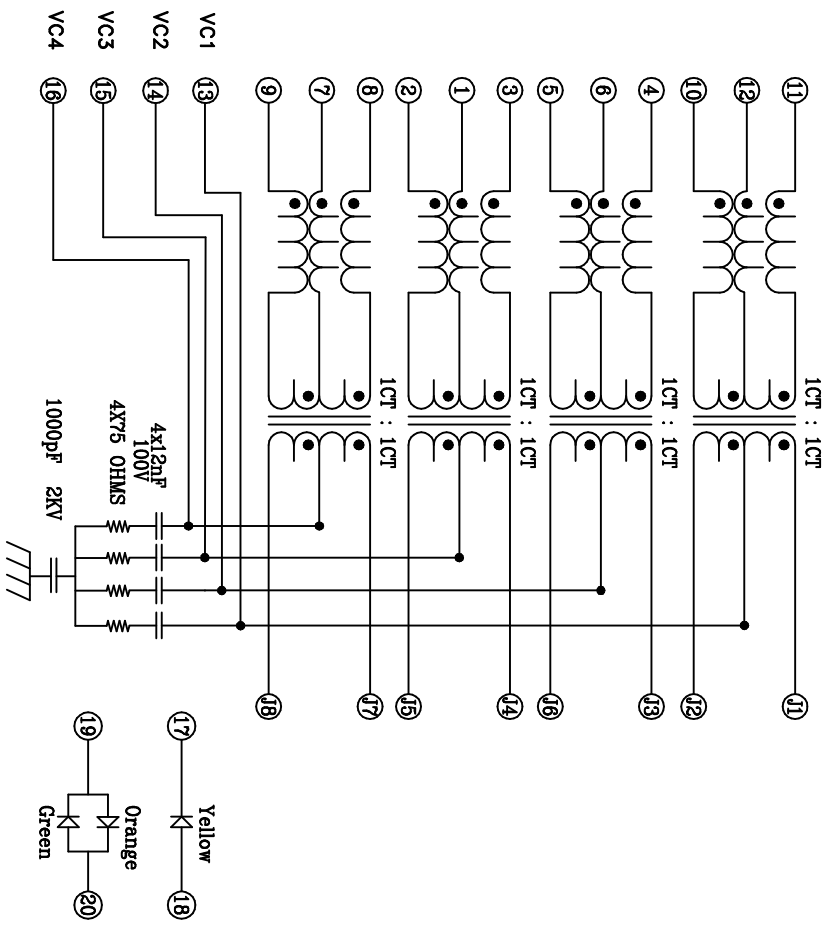


CUSTOMER TERMINAL	RoHS	LEAD(Pb)-FREE
Sn100x	Yes	Yes



**ELECTRICAL SPECIFICATIONS @ 25°C unless otherwise noted**

- INDUCTANCE: 350nH min., 100kHz, 100mV, 18mADC, J1-J2; J3-J6, J4-J5; J7-J8 Ip.
- DIELECTRIC RATING: 1500Vrms or 2250VDC for 1 minute between Pri to Sec.
- TURNS RATIO/POLARITY: Per schematic.
- INSERTION LOSS: -1.0dB max., 1MHz - 100MHz.
- RETURN LOSS: -18dB min., 1M - 30MHz.  
-16dB min., 30M - 45MHz.  
-14dB min., 45M - 60MHz.  
-12dB min., 60M - 80MHz.  
-10dB min., 80M - 100MHz.
- CROSSTALK: -30dB typ., 1MHz - 100MHz.
- COMMON MODE REJECTION: -35dB min., 1MHz - 100MHz.
- OPERATING TEMPERATURE RANGE: 0°C to +70°C.
- Designed to handle 600mADC and meet 802.3at.

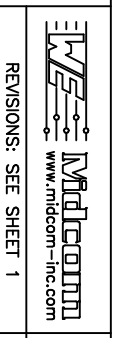


REV.	DATE

Packaging Specifications  
00 4/08  
Troy

Unless otherwise specified:  
Tolerances: Fractions: ±1/64  
Angles: ±1°  
Decimals: ±.010[.25]  
This drawing is dual dimensioned. Dimensions in brackets are in millimeters.

DRAWING TITLE  
**TRANSFORMER**  
Gigabit&PoE+



DRAWING NO. 7499511610  
REVISIONS: SEE SHEET 1  
SCALE ---  
SHEET 2 OF 6