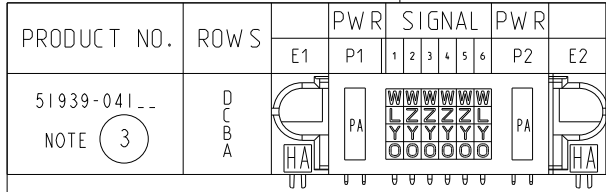


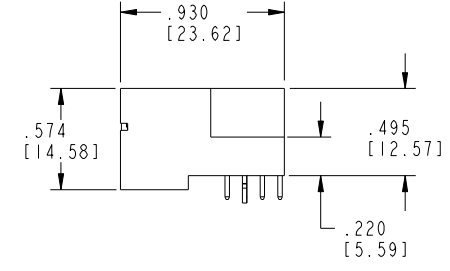
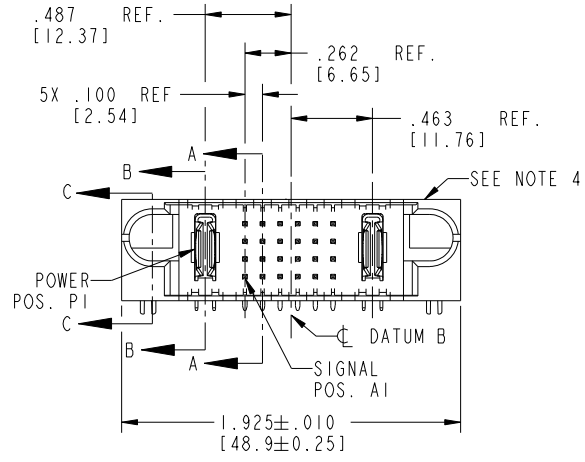
Tous droits strictement réservés. Reproduction ou communication à des tiers interdite sous quelque forme que ce soit sans autorisation écrite du propriétaire. Propriété de c.FCI. Droits de reproduction FCI.



All rights strictly reserved. Reproduction or issue to third parties in any form whatever is not permitted without written authority from the proprietor. Property of FCI. Copyright FCI.



NOTE 3



CODE	DIM "M" MATING LENGTH	CONTACT TYPE
HA	N/A [N/A]	HOLD-DOWN
W	.254 [6.45]	SIGNAL
L	.170 [4.32]	SIGNAL
Y	.254 [6.45]	SIGNAL
O	.254 [6.45]	SIGNAL
Z	.254 [6.45]	SIGNAL
PA	N/A [N/A]	POWER

mat'l code				SEE NOTE 2		tolerances unless otherwise specified		CUSTOMER	
lfr	ecn no.	dr	date	linear	.XX±.01/0.X±0.3	angles	0°±2°	COPY	
A	V04-0122	MEM	1/27/03	enr	.XXX±.005/0.XX±0.13	chr	H. BREWBAKER 1/27/03	projection	
B	V04-1118	TAB	11/17/04	appd	.XXX±.002/0.XXX±0.051	appd	M. MOSTOLLER 1/27/03	INCH/MM	
C	DG06-0008	JMG	01/09/06					scale 1:1	
D	DG06-0234	JMG	06/14/06					A	
E	DG08-0273	WD	12/30/08						
sheet index	revision sheet	E 1	E 2	E 3	E 4				

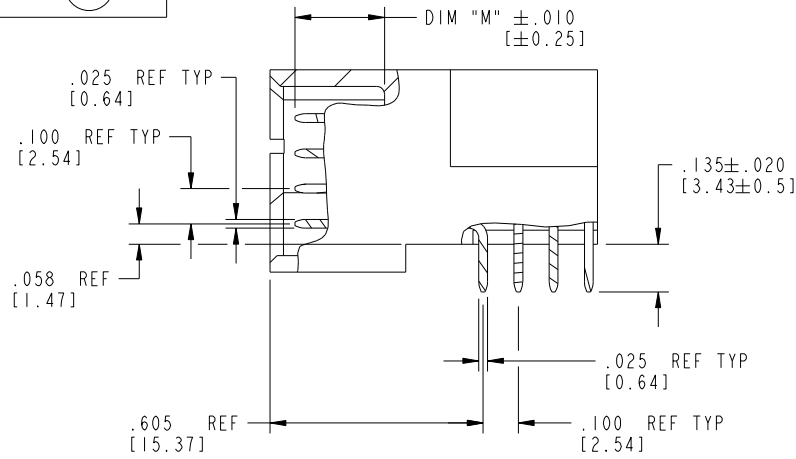
www.fciconnect.com		title		IP + 24S + 1P	
RIGHT ANGLE SOLDER HEADER		product family		PwrBlade	
code 213		size		dwg no 51939-041	
sheet 1 of 4		scale		A	

Pro/E	cage code 22526
-------	-----------------

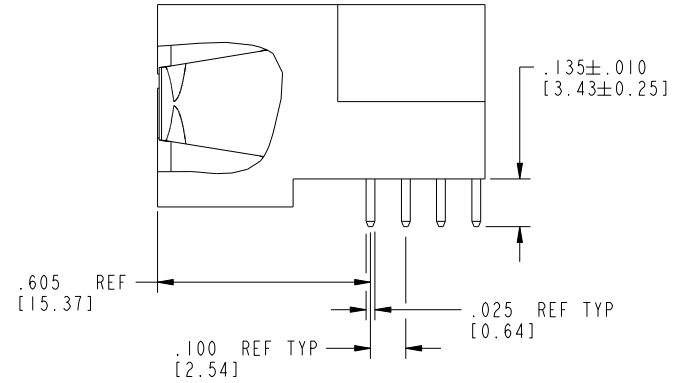
Tous droits strictement réservés. Reproduction ou communication à des tiers interdite sous quelque forme que ce soit sans autorisation écrite du propriétaire. Propriété de c.FCI. Droits de reproduction FCI.

All rights strictly reserved. Reproduction or issue to third parties in any form whatsoever is not permitted without written authority from the proprietor. Property of FCI. Copyright FCI.

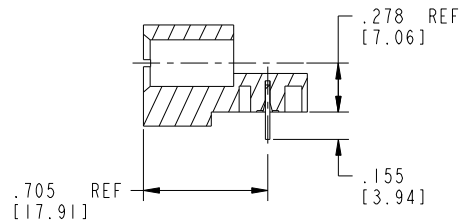
PRODUCT NUMBER
51939-041--
NOTE (3)



BROKEN-OUT SECTION A-A
SCALE 2:1



BROKEN-OUT SECTION B-B
SCALE 2:1



SECTION C-C

mat'l code		SEE NOTE 2		tolerances unless otherwise specified		CUSTOMER		FCI		www.fciconnect.com	
ltr	ecn no.	dr	date	linear	.XX±.01/0.X±0.3	COPY		projection		title	
E					.XXX±.005/0.XX±0.13	1P + 24S + 1P		RIGHT ANGLE SOLDER HEADER		product family	
				angles	.XXX±.0020/0.XXX±0.051	INCH/MM		product family		PwrBlade	
				dr	0°±2°	scale		size		code	
				enr	M. MOSTOLLER 1/27/03	1:1		dwg no		213	
				chr	M. MOSTOLLER 1/27/03			51939-041		sheet	
				appd	H. BREWBAKER 1/27/03					2 of 4	
sheet index		revision sheet									

cage code 22526

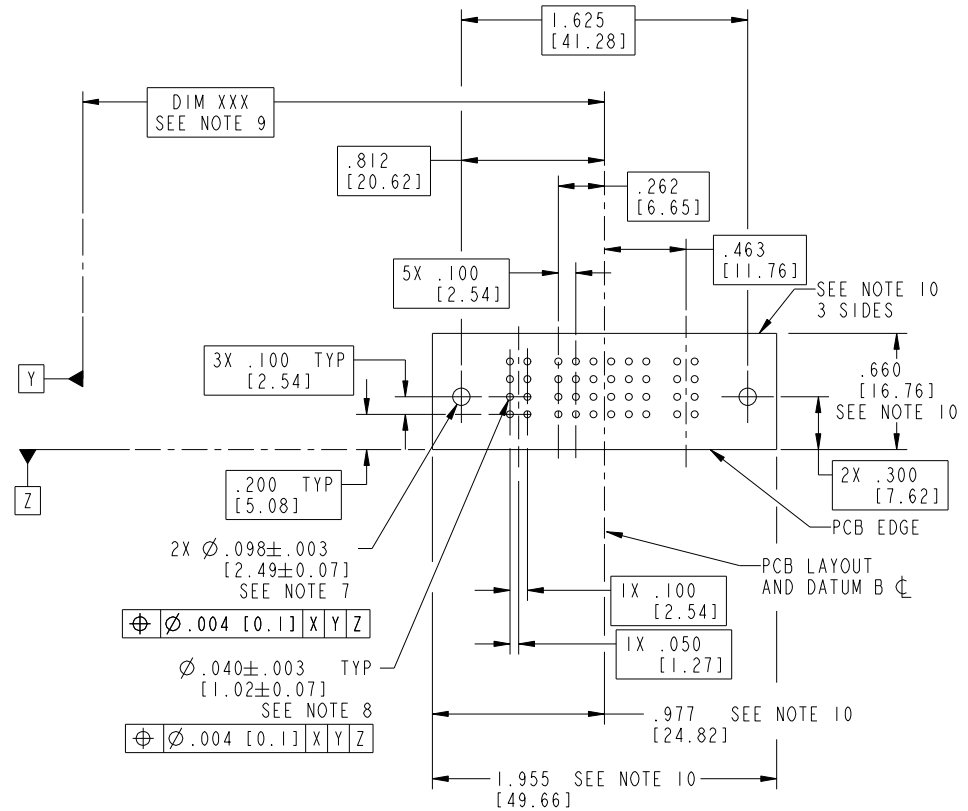
Pro/E

Tous droits strictement reserves. Reproduction ou communication a des tiers interdite sous quelque forme que ce soit sans autorisation ecrite du propriétaire. Propriete de c FCI. Droits de reproduction FCI.



All rights strictly reserved. Reproduction or issue to third parties in any form whatsoever is not permitted without written authority from the proprietor. Property of FCI. Copyright FCI.

PRODUCT NUMBER
51939-041...
NOTE (3)



RECOMMENDED PCB LAYOUT

mat'l code		SEE NOTE 2		tolerances unless otherwise specified		CUSTOMER		 www.fciconnect.com	
lfr	ecn no.	dr	date	linear	.XX±.01/0.X±0.3	COPY		title	
E					.XXX±.005/0.XX±0.13	projection		IP + 24S +1P	
				angles	.XXX±.002/0.XXX±0.051			RIGHT ANGLE SOLDER HEADER	
				dr	0°±2°	INCH/MM		product family	
				enr	M. MOSTOLLER 1/27/03	scale		PwrBlade	
				chr	M. MOSTOLLER 1/27/03	1:1		code	
				appd	H. BREWBAKER 1/27/03	A		213	
					M. MOSTOLLER 1/27/03	size		sheet	
sheet index	revision sheet					dwg no		3 of 4	
						51939-041			

cage code 22526

Tous droits strictement reserves. Reproduction ou communication a des tiers interdite sous quelque forme que ce soit sans autorisation écrite du propriétaire. Propriete de c FCI. Droits de reproduction FCI.



All rights strictly reserved. Reproduction or issue to third parties in any form whatever is not permitted without written authority from the proprietor. Property of FCI. Copyright FCI.

PRODUCT NUMBER
51939-041__
NOTE (3)

NOTES:

1. DIMENSIONS AND TOLERANCES ARE IN ACCORDANCE WITH ASME Y14.5M, 1994 UNLESS OTHERWISE SPECIFIED.

CONNECTOR NOTES:

- 2. HOUSING MATERIAL: UL 94 V-0 GLASS FILLED HIGH-TEMP THERMOPLASTIC
POWER CONTACT MATERIAL: COPPER ALLOY
SIGNAL PIN MATERIAL: COPPER ALLOY
- 3. SEE ITEM 1 & 2 IN PRINT 10064183 FOR PLATING SPEC OF 51939-041 AND 51939-041LF RESPECTIVELY.
- 4. MANUFACTURER'S NAME, P/N, AND DATE CODE TO APPEAR ON THIS SURFACE.
- 5. PRODUCT SPECIFICATION GS-12-149.
APPLICATION SPECIFICATION BUS-20-067.

PCB NOTES:

- 6. ALL HOLE DIAMETERS ARE FINISHED HOLE SIZE.
- 7. MOUNTING HOLES, WHERE APPLICABLE, ARE UNPLATED.
- 8. $\varnothing .0453 \pm .0010$ [1.151 \pm 0.025] DRILLED HOLES PLATED WITH
.0003 [0.008] MIN SnPb OVER .001 [0.03]
TO .003 [0.08] Cu PLATING TO ACHIEVE
 $\varnothing .040 \pm .003$ [1.02 \pm .07] HOLE.
- 9. "DIM XXX" TO BE DETERMINED BY THE CUSTOMER.
- 10. CONNECTOR KEEP-OUT ZONE.
- 11. A \triangle SYMBOL WILL BE NEXT TO ANY DIMENSION, VIEW, OR NOTE WHICH HAS BEEN MODIFIED WITH THE CURRENT DRAWING REVISION.

mat'l code		SEE NOTE 2		tolerances unless otherwise specified		CUSTOMER		FCI		www.fciconnect.com	
ltr	ecn no.	dr	date	linear	.XX±.01/0.X±0.3	projection	COPY				
E					.XXX±.005/0.XX±0.13			title 1P + 24S + 1P			
				angles	.XXX±.0020/0.XXX±0.051			RIGHT ANGLE SOLDER HEADER			
				dr	0° ± 2°			product family PwrBlade		code 213	
				enrg	M. MOSTOLLER 1/27/03	INCH/MM		size dwg no		sheet 4 of 4	
				chr	M. MOSTOLLER 1/27/03	scale		51939-041			
				appd	H. BREWBAKER 1/27/03	1:1					
sheet index		revision sheet									

cage code 22526