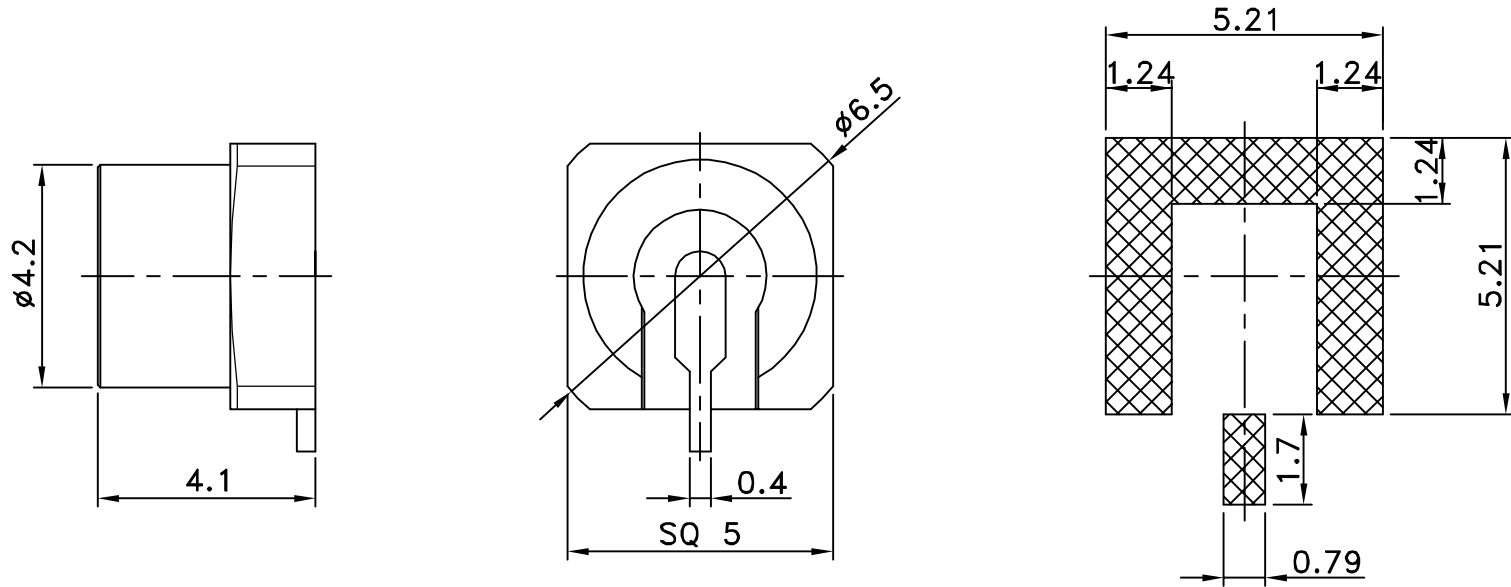


REV	DESCRIPTION\PER REQUEST	DRAWN	DATE

Frequency:0~40GHz
VSWR:1.2 Max.



RECOMMENDED
MOUNTING PATTERN

NOTES: FINISH (PLATING THICKNESS IN MICRO-INCHES)
 1.GOLD PL. 3 MIN. THICK OVER NICKEL PL. 70 MIN. THICK OVER COPPER STRIKE
 2.GOLD PL. 30 MIN. THICK OVER NICKEL PL. 70 MIN. THICK OVER COPPER STRIKE

NO	Description	Q'ty	Material	Finish	PART NO.	* MAJOR DIMENSION	Bomar Interconnect Products, Inc			
3	Dielectric	1	Teflon	None	2062AL10111	UNLESS OTHERWISE NOTED TOLERANCES 0.5-6=±0.2 6-30=±0.4 30-120=±0.6 120-315=±1.0 ANGLES=±1°	TITLE SMP SMT PLUG(Limited Detent)			
2	Pin	1	Brass	NOTE 2						
1	Body	1	Brass	NOTE 1			DRAWING NO. ASSMP-43001-TGG			
NO	Description	Q'ty	Material	Finish			REV B			
APPROVED					DATE	SCALE	8/1	UNIT	mm	FILE NO. W:\AS\ASSMP\ASSMP-43001-TGG Bomar->20120911
CHECKED					DATE					
DRAWN					DATE					
					Kai					
					09/10/12					