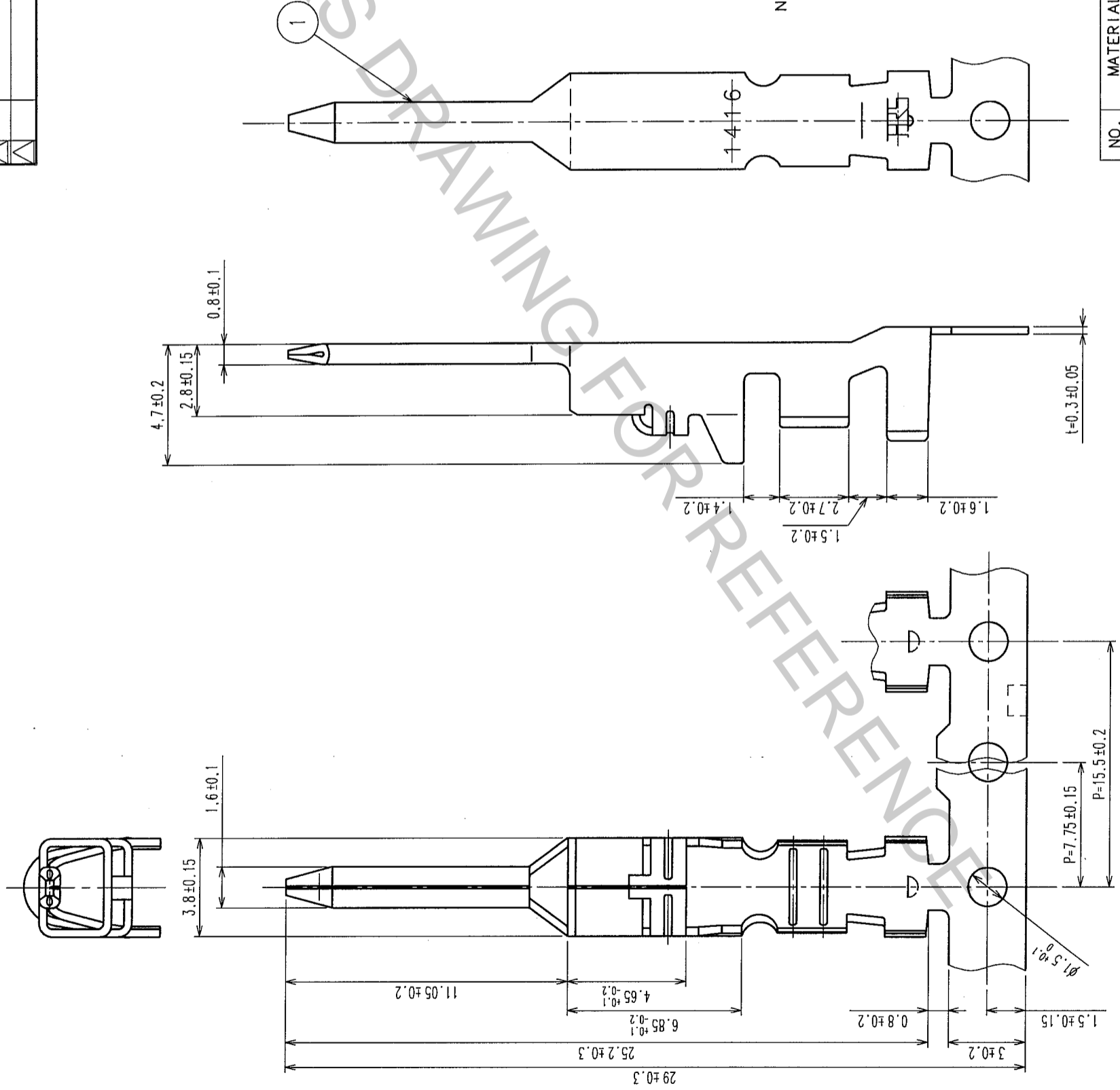


Oct.1.2018 Copyright 2018 HIROSE ELECTRIC CO., LTD. All Rights Reserved.
 In case that the application demands a high level of reliability, such as automotive,
 please contact a company representative for further information.

NO.	COUNT	DESCRIPTION OF REVISIONS	BY	CHKD	DATE	COUNT	DESCRIPTION OF REVISIONS	BY	CHKD	DATE
1	1					1				
2	1					1				
3	1					1				
4	1					1				
5	1					1				
6	1					1				
7	1					1				
8	1					1				



NOTES 1. REEL: 2500 CONNECTORS.
 2. UL (FILE No. E52653)
 C-UL (FILE No. E52653)
 TÜV (CERTIFICATION No. R9950703) AUTHORIZATION ARTICLE.



NO.	MATERIAL	FINISH, REMARKS	NO.	MATERIAL	FINISH, REMARKS
1	COPPER ALLOY		1	COPPER ALLOY	
SURFACE PLATING: TIN PLATED 1μm min			SURFACE PLATING: TIN PLATED 1μm min		
UNDER PLATING: COPPER PLATING 0.5μm min			UNDER PLATING: COPPER PLATING 0.5μm min		
DRAWN		DESIGNED		CHECKED	
M. NAKAMOTO		H. Umehara		T. Higashide	
'04.11.24		'04.11.24		'04.11.24	
SCALE 5:1		PART NO. DF22-1416PCF		APPROVED	
UNITS mm		DRAWING NO. EDC3-163621		RELEASED	
		HIROSE ELECTRIC CO., LTD			
		CODE NO. CL680-1078-0			

TO	