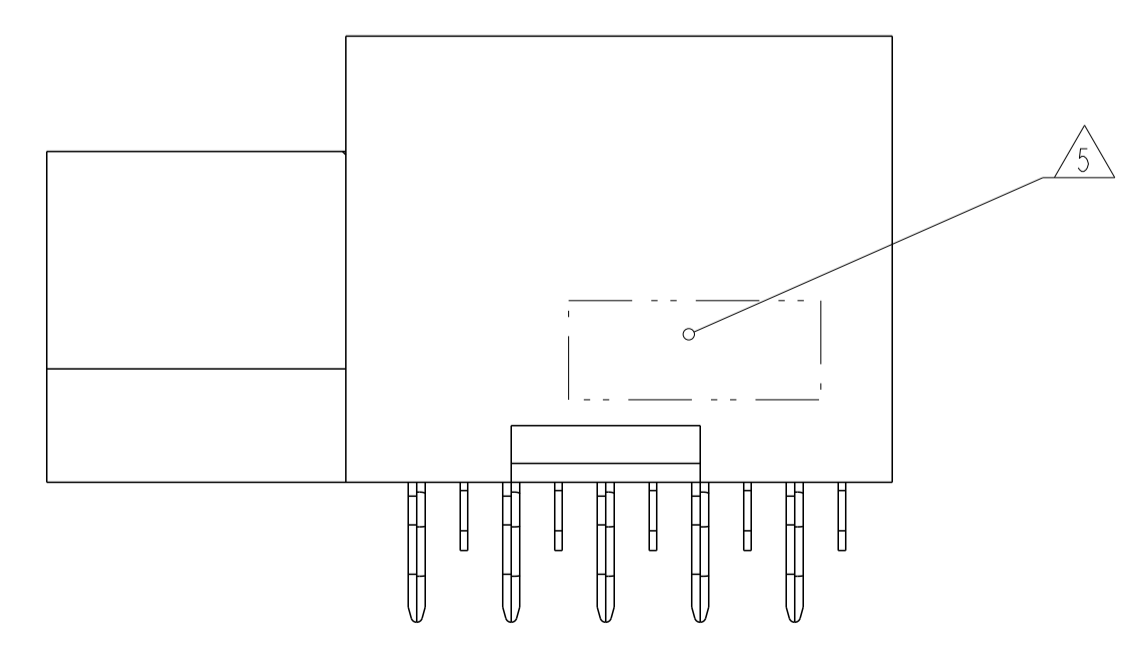
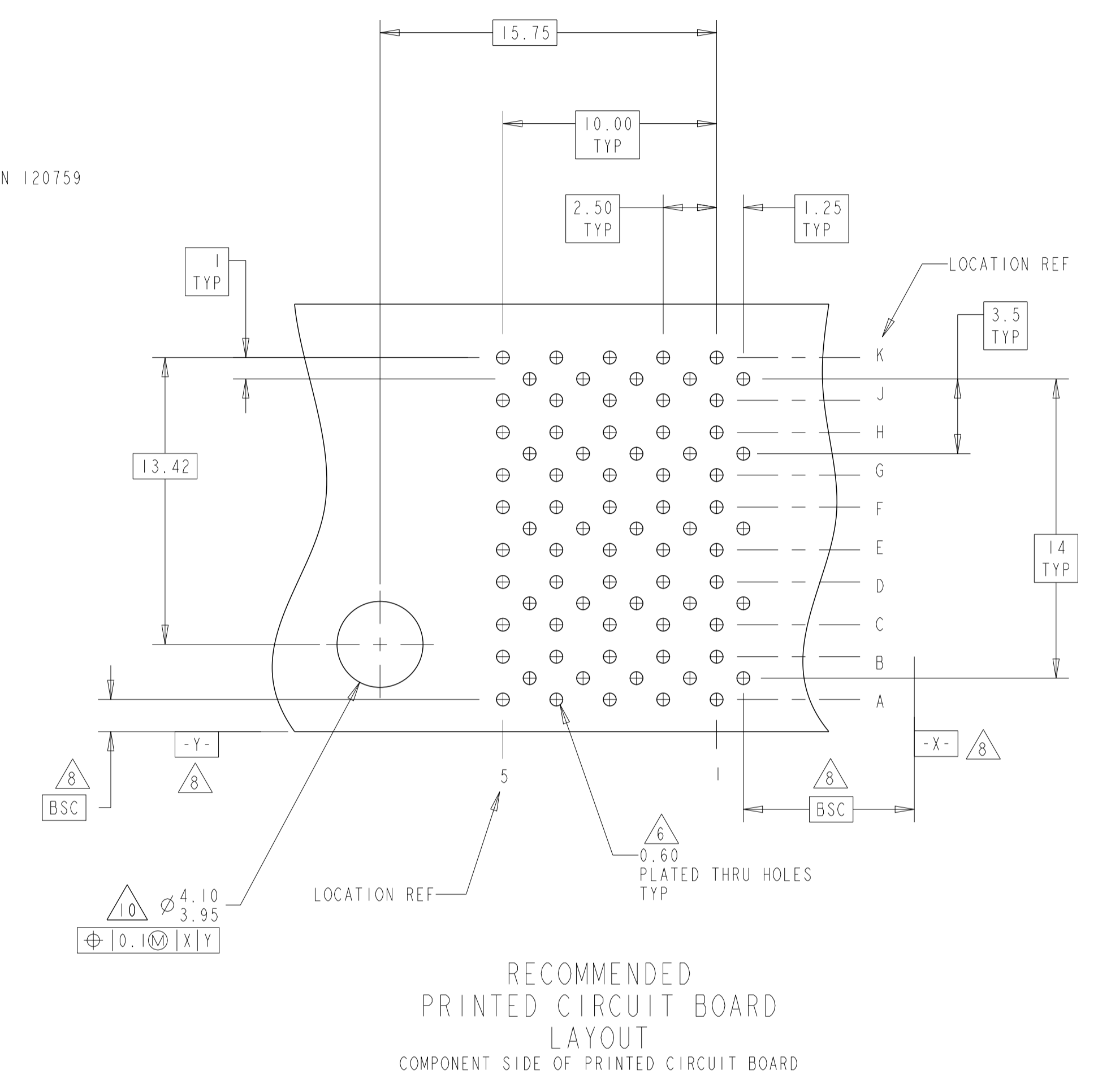
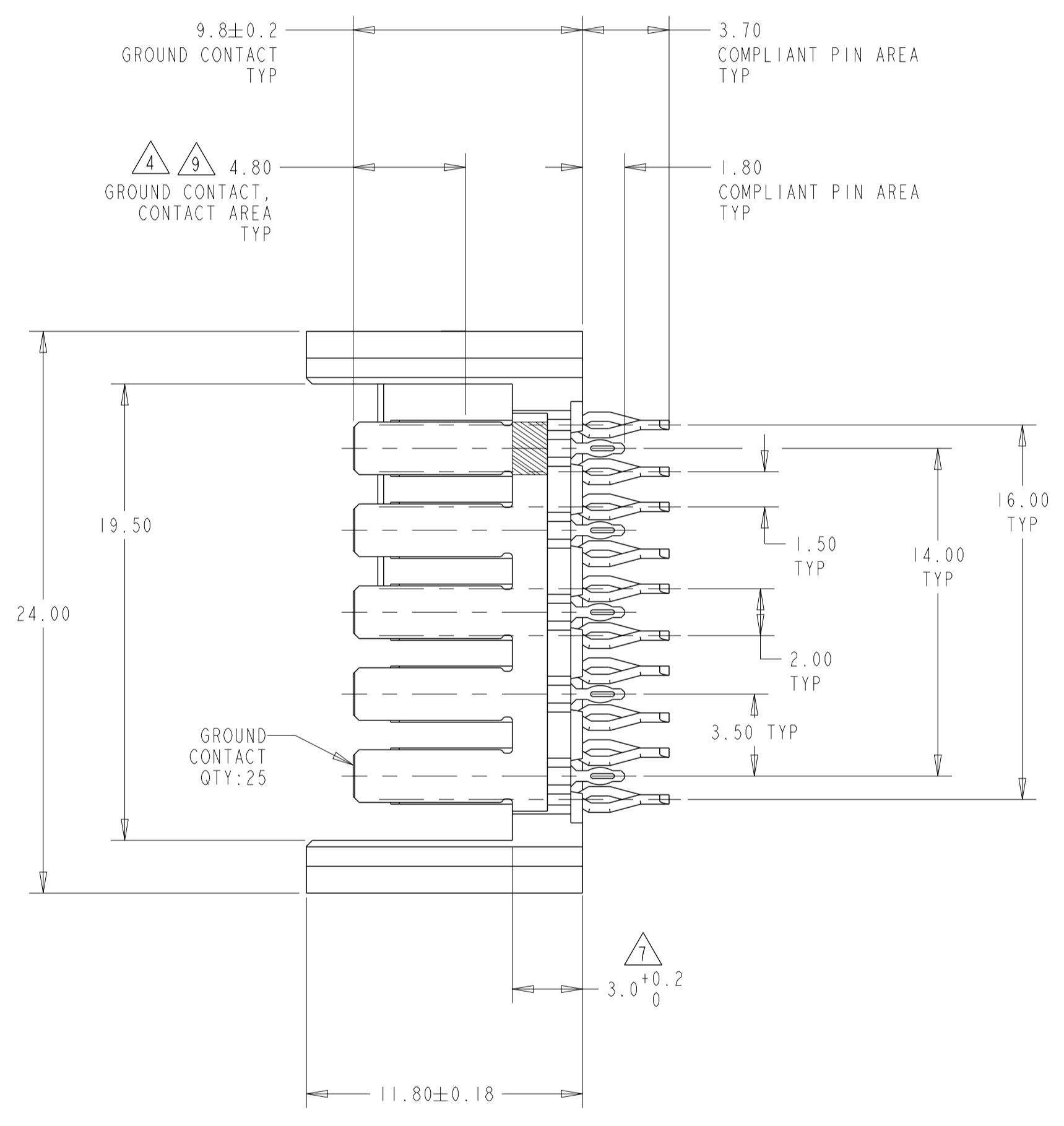
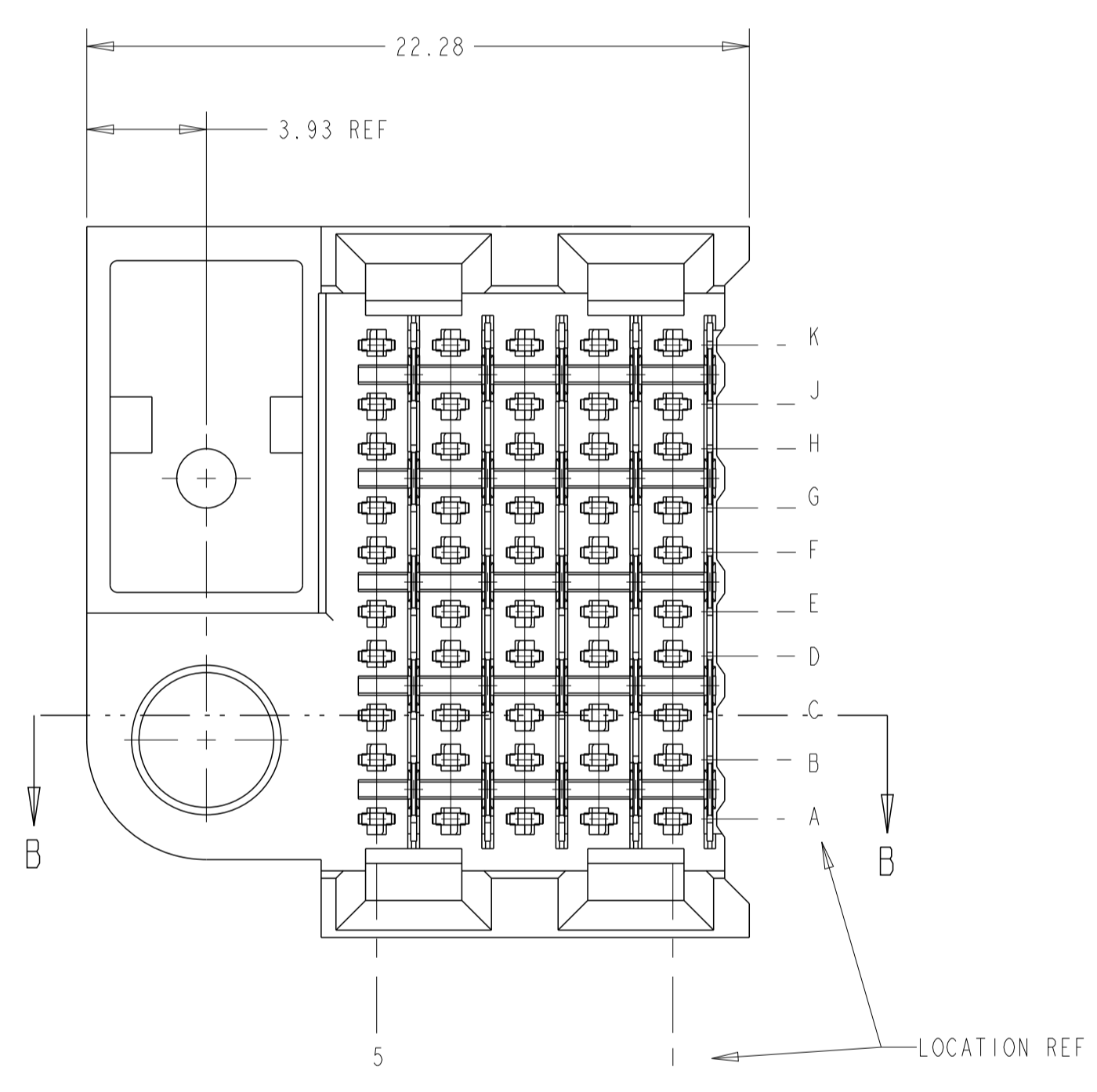
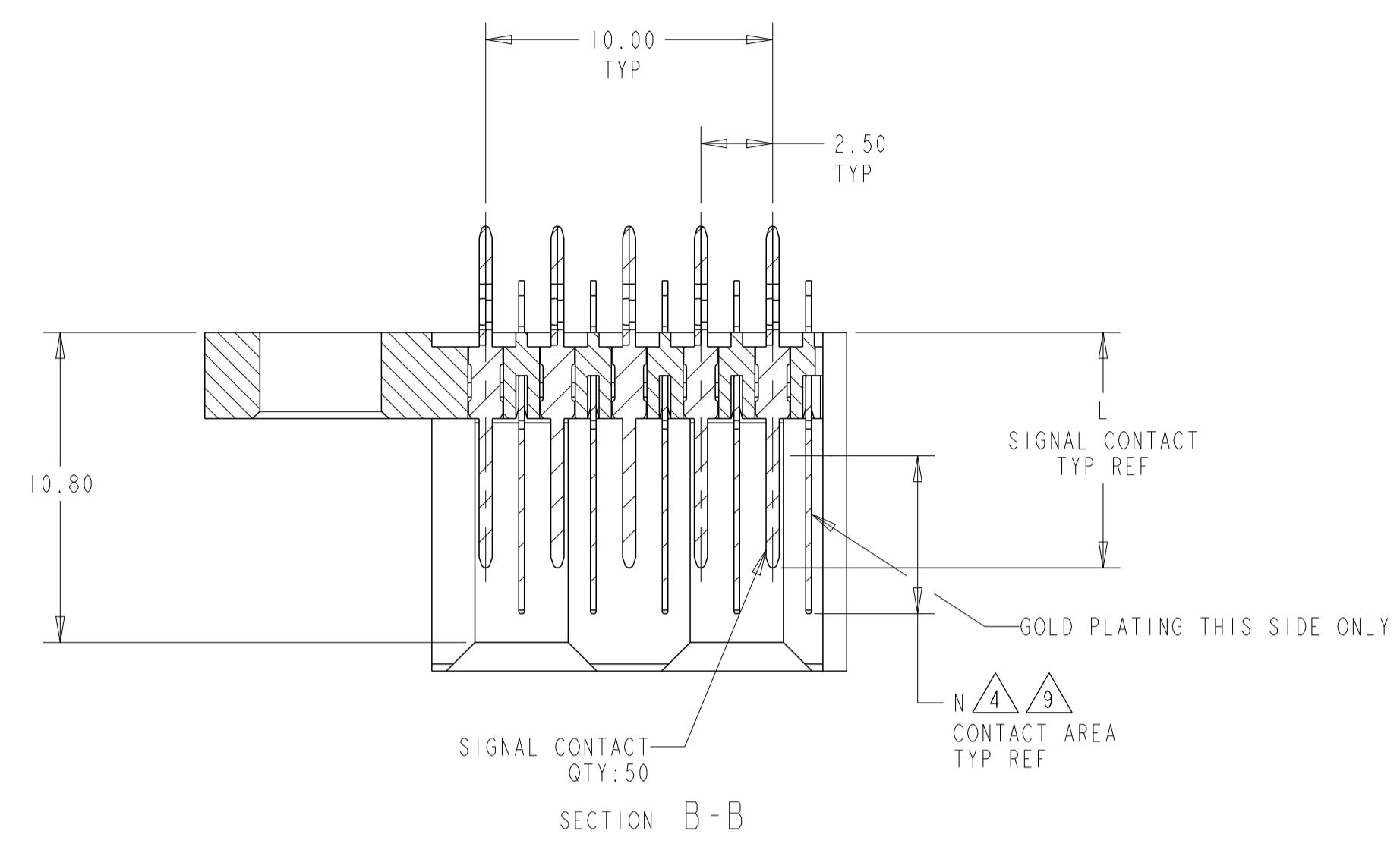


LOC		DIST		REVISIONS			
P	LTN	DESCRIPTION	DATE	DWN	APVD		
B2		REVISED EPR ECO-12-011334	28SEP2012	KH	JE		

- 2 PHOSPHOR BRONZE
- 3 LCP, UL94V-0
- 4 FINISH:
CONTACT MATING AREA MEETS THE PERFORMANCE REQUIREMENTS OF
TE CONNECTIVITY PRODUCT SPECIFICATION 108-1957; BASED ON
TELCORDIA GR-1217-CORE; APPLICATIONS IN UNCONTROLLED ENVIRONMENTS.
COMPLIANT PIN AREA: 0.5µm MIN MATTE TIN OVER BASE PLATING.
- 5 CONNECTOR MARKED WITH PART NUMBER AND DATE CODE
- 6 REFERENCE APPLICATION SPEC 114-13020 FOR RECOMMENDED
PLATED THRU HOLE DIAMETER AND PLATING THICKNESS.
- 7 APPLICATION SEATING HEIGHT TO PRINTED CIRCUIT BOARD
- 8 DATUMS AND BASIC DIMENSIONS ESTABLISHED BY CUSTOMER
- 9 CONTACT AREA LUBRICATED WITH BELLCORE APPROVED LUBRICANT
TECHNICAL REFERENCE: GR-1217-CORE, ISSUE 1, NOVEMBER 1995
- 10 HOLE DIAMETER SHOULD BE 3.10 WHEN USING FEED THROUGH GUIDE PIN P/N 120759
CLEARANCE FOR M3x0.5 THREAD



5.50	9.7	5120661-2
5.50	8.2	5120661-1
N	L	PART NUMBER

THIS DRAWING IS A CONTROLLED DOCUMENT.

DIMENSIONS:	TOLERANCES UNLESS OTHERWISE SPECIFIED:	DWN: B. CARBO 06DEC04	NAME: B. PATTERSON 06DEC04
mm	0 PLC ±	CHK: R. PATTERSON 06DEC04	PRODUCT SPEC: B. PATTERSON 06DEC04
	1 PLC ±	APVD: B. PATTERSON 06DEC04	APPLICATION SPEC: -
	2 PLC ±0.13	SIZE: A1	CAGE CODE: 00779
	3 PLC ±0.05	DRAWING NO: 5120661	RESTRICTED TO: -
	4 PLC ±	WEIGHT: -	SCALE: 5:1
	ANGLES ±	CUSTOMER DRAWING	SHEET 1 OF 1
MATERIAL:	FINISH:		REV B2
HOUSING: 3			
CONTACTS: 2	SIGNAL CONTACT: 4		

TE TE Connectivity

HEADER ASSEMBLY, 50 POSITION, RIGHT HAND, 10 ROW, Z PACK HS3