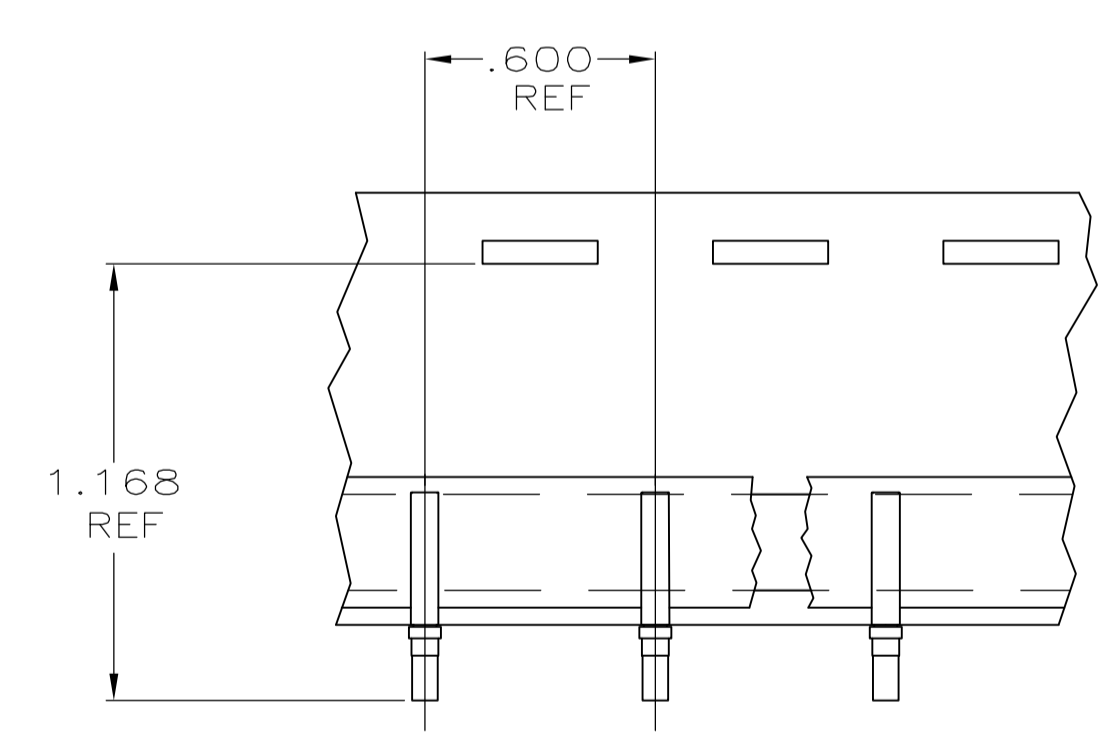


COLOR BANDS
 PART NO 206795-3 ONLY



TAPE MOUNTED
 PART NO 206795-2 ONLY
 SCALE 2:1

1. ALL DIMENSIONS APPLY AFTER PLATING.
2. THIS CONTACT COMPLIES WITH MIL-C-24308/10, EXCEPT WIRE BARREL.
3. ALL DIAMETERS CONCENTRIC WITH EACH OTHER WITHIN .004 T.I.R.
4. ALL SURFACES HAVE $\sqrt{3}$ FINISH OR BETTER UNLESS OTHERWISE SPECIFIED.
5. POINT OF PLATING MEASUREMENT .100 FROM WIRE BARREL END OF CONTACT.
6. SLEEVE MAY BE CRIMPED OR DIMPLED ON TO CONTACT BODY.
7. OPTIONAL LOCATION FOR STAMPED LETTER "A"

| | | |
|------------------|--------------------------------|-------------|
| SUPERSEDED BY -2 | SAME AS -3 EXCEPT TAPE MOUNTED | 206795-4 |
| | SAME AS -1 EXCEPT COLOR COATED | 206795-3 |
| | SAME AS -1 EXCEPT TAPE MOUNTED | 206795-2 |
| | AS SHOWN | 206795-1 |
| | DESCRIPTION | PART NUMBER |

| | | | |
|--|-------------------|------------------------------|---|
| THIS DRAWING IS A CONTROLLED DOCUMENT. | | DWG C.C.THOMAS 1-17-03 | Tyco Electronics Corporation Harrisburg, PA 17105-3608 |
| DIMENSIONS: INCHES | | CHK D.MILLER 1-17-03 | |
| TOLERANCES UNLESS OTHERWISE SPECIFIED: | | APP'D D.MILLER 1-17-03 | NAME |
| 0 PLC ± - | | PRODUCT SPEC | SOCKET CONTACT ASSY, SIZE 20 (FOR #26 & #28 WIRE) |
| 1 PLC ± - | | APPLICATION SPEC | |
| 2 PLC ± - | | SIZE | A1 |
| 3 PLC ± - | | WEIGHT | 00779 |
| 4 PLC ± - | | SCALE | 20:1 |
| ANGLES ± ° | | SHEET | 1 OF 1 |
| MATERIAL SEE CALOUT | FINISH SEE CALOUT | CUSTOMER DRAWING | REV F |