

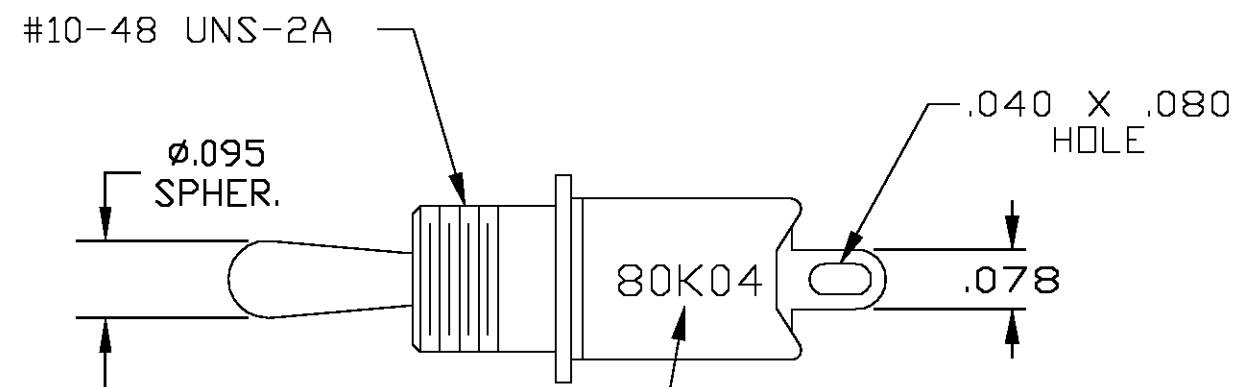
SPECIFICATIONS:

- CONTACT RATING: 0.4 VA MAX @ 20 VDC OR PEAK AC.
- INITIAL CONTACT RESISTANCE: 1,000 MEGOHMS MIN AT 500 VDC.
- DIELECTRIC STRENGTH: 1,000 VOLTS RMS AT SEA LEVEL.
- TERMINAL SEAL: EPOXY SEALED.
- HARDWARE INCLUDED: (1) HEX NUT (1) LOCK WASHER.

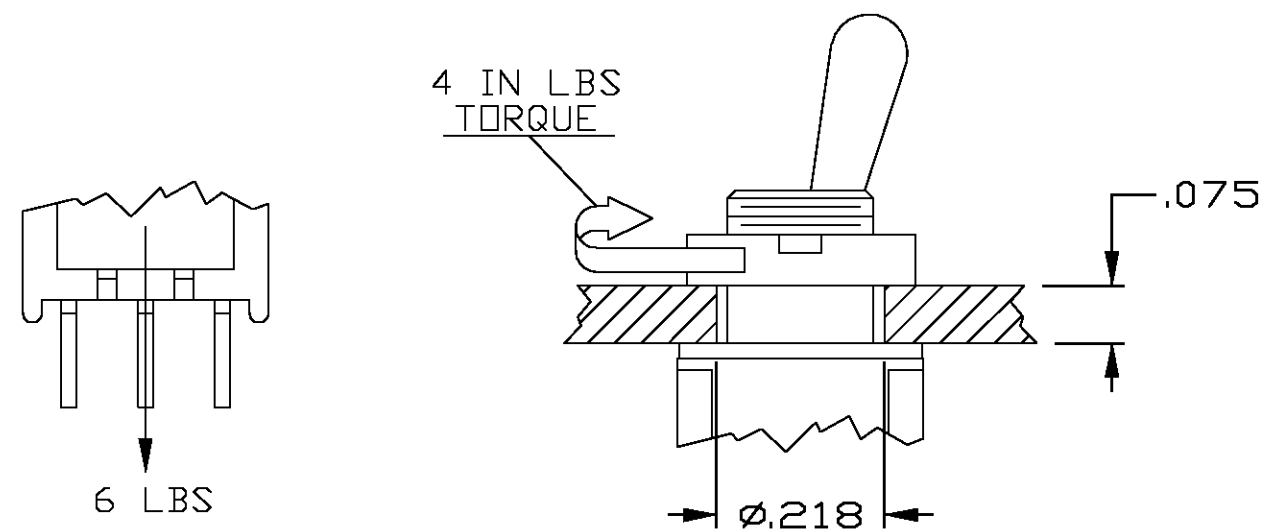
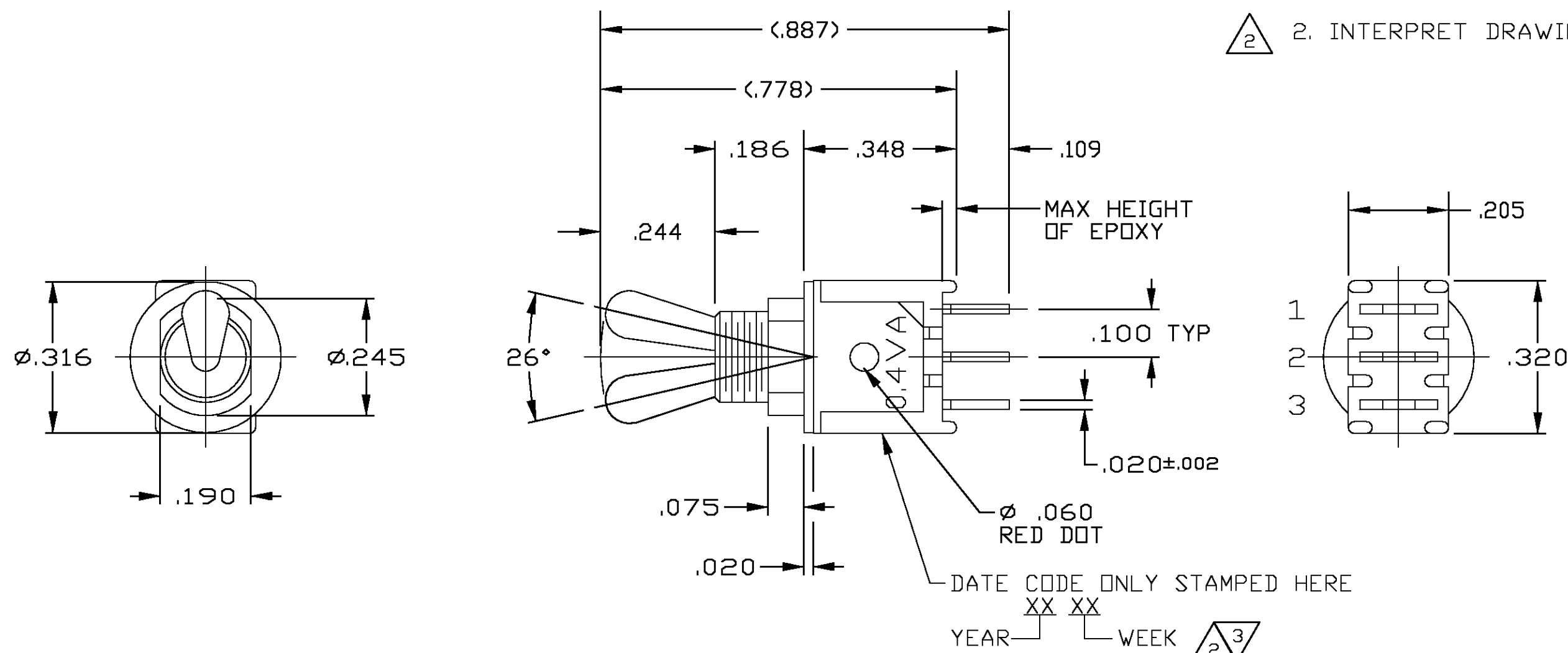
SEAL - TOGGLE TO BUSHING:
 SEAL TEST - SEAL SHALL WITHSTAND 3 FT OF WATER FOR 30 MINUTES.
 DYNAMIC - TEST WHEN ACTIVATED 10 TIMES PER MINUTE FOR 10,000 CYCLES SEAL SHALL WITHSTAND A 2 INCH HEAD OF WATER.

NOTES:

- CUSTOMER PART NUMBER CENTERED HERE.
- INTERPRET DRAWING PER ASME Y14.5M-1994.



SEE NOTE 1



| | | | |
|--|-----|------|-----|
| TTE-70973 | 2-1 | NONE | 2-3 |
| MODEL NO. | | | |
| TERMINALS CONNECTED WHEN TOGGLE IS IN THE POSITIONS AS SHOWN. | | | |
| NOTE: TERMINAL DESIGNATION NUMBERS ARE FOR REFERENCE ONLY AND DO NOT APPEAR ON SWITCH. | | | |

AUGAT D/N TTE-70973

| | | | | | | | | | |
|----------|---|---|------------------------|--|---------------------|-----------------------------------|------------------|--|--------|
| REV B | REVISED 063C-0099-03 DATE: 10JUN03 APP'D: MZ | TOLERANCES (EXCEPT AS NOTED) ANGULAR = ±2° DECIMAL .XX = ±.010 DECIMAL .XXX = ±.010 DECIMAL .XXXX = ±.010 | THIRD ANGLE PROJECTION | UNLESS OTHERWISE SPECIFIED DIMENSIONS ARE IN INCHES DO NOT SCALE PRINT | | ORIGINAL DATE OF DRAWING: 12-1-86 | TYCO ELECTRONICS | | |
| | | | | FILE NAME: TTE70973 | DIRECTORY: TOGSWTCH | DRAWN: B.L. | DATE: 12-1-86 | TITLE: TTE SPECIAL CUSTOMER: MOTOROLA | |
| | | | | MATERIAL: N/A | | CHECKED: PAUL SMITH | DATE: 12-1-86 | | |
| | | | | FINISH: N/A | | APPROVED: T. SHEK | DATE: 12-4-86 | DWG. NO. 1-1437563-7 | REV. B |
| | | | | CODE IDENT. NO. 91506 | DWG. SIZE C | PRODUCT CODE: A51 | | | |
| | | | | NEXT ASSY: | | SCALE: 4:1 | | SHEET 1 OF 1 | |