

# 丸 形 Round Type

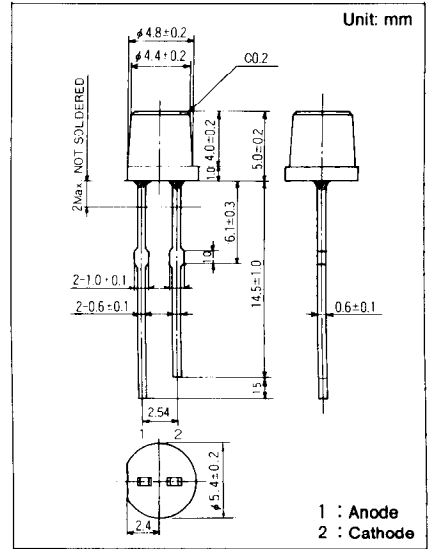
## φ 4.4mm Series

Type No.	Lighting Color
LN440YCP	Amber
LN440CP	Amber
LN840RCP	Orange
LN840CP	Orange

### 絶対最大定格 Absolute Maximum Ratings (Ta=25 °C)

Lighting Color	P <sub>O</sub> (mW)	I <sub>F</sub> (mA)	I <sub>FP</sub> (mA)*	V <sub>R</sub> (V)	To <sub>pr</sub> (°C)	Tetg (°C)
Amber	90	30	150	4	-25~+85	-30~+100
Orange	90	30	150	3	-25~+85	-30~+100

\* I<sub>FP</sub>の条件は、duty 10%, Pulse width 1 msec. The condition of I<sub>FP</sub> is duty 10%, Pulse width 1 msec



### 電気的光学的特性 Electro-Optical Characteristics (Ta=25 °C)

Type No.	Lighting Color	Lens Color	I <sub>O</sub>		I <sub>F</sub>	V <sub>F</sub>		λ <sub>P</sub>	Δλ	I <sub>F</sub>	I <sub>R</sub>	
			Typ.	Min.		Typ.	Max.				Typ.	Max.
LN440YCP	Amber	Amber Clear	5.0	2.0	20	2.2	2.8	590	30	20	10	4
LN440CP	Amber	Clear	5.0	2.0	20	2.2	2.8	590	30	20	10	4
LN840RCP	Orange	Red Clear	6.0	2.5	20	2.1	2.8	630	40	20	10	3
LN840CP	Orange	Clear	6.0	2.5	20	2.1	2.8	630	40	20	10	3
Unit	—	—	mcd	mcd	mA	V	V	nm	nm	mA	μA	V

