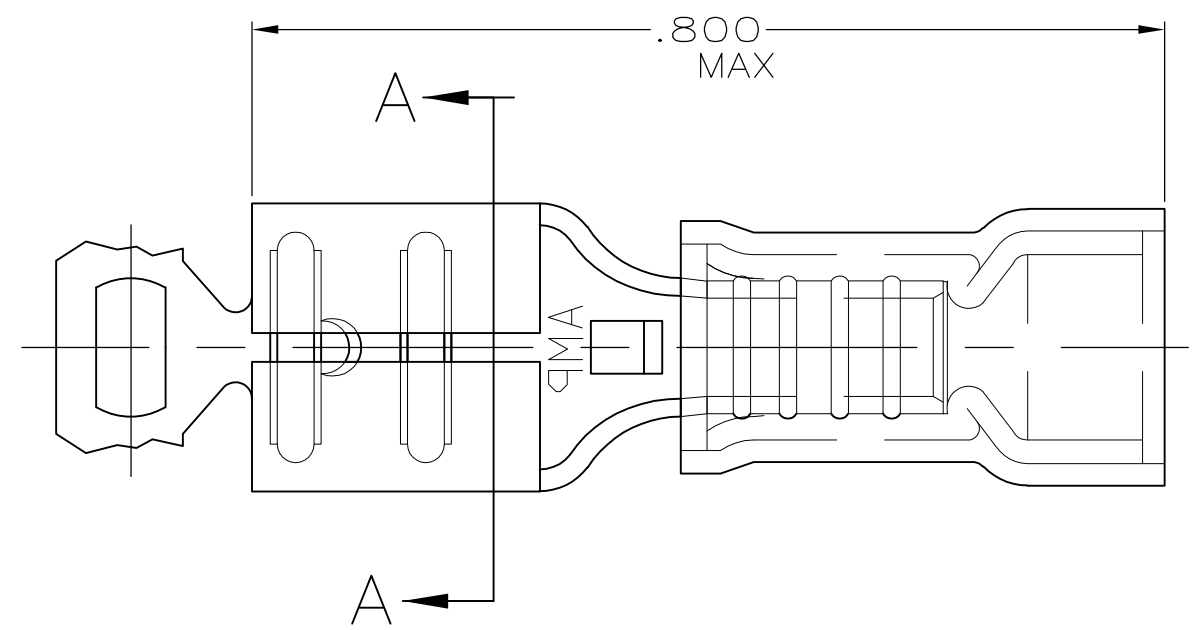
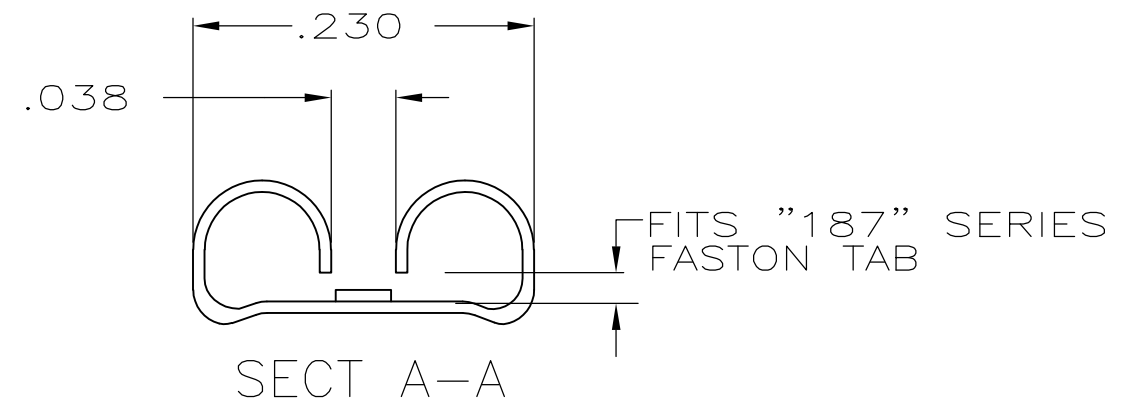
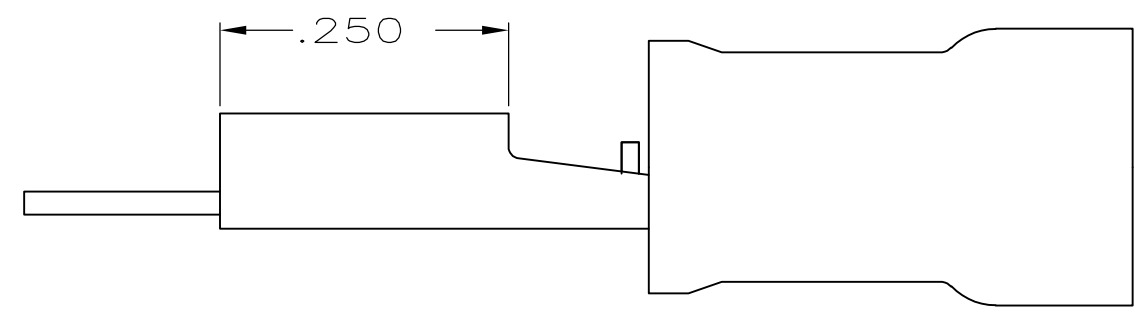


THIS DRAWING IS UNPUBLISHED. RELEASED FOR PUBLICATION  
 © COPYRIGHT BY TYCO ELECTRONICS CORPORATION. ALL INTERNATIONAL RIGHTS RESERVED.

LOC	DIST	REVISIONS					
		P	LTR	DESCRIPTION	DATE	DWN	APVD
G	14		H1	REVISED PER ECO-10-021928	27OCT10	HMR	DR



- 1 INSULATION DIA .135 MAX
- 2 FITS TAB .020 THK



—	—	640916-1
QTY	PACKAGE TYPE	PART NO

**AMP INCORPORATED  
CUSTOMER SERVICE SYSTEM**

FOR ADDITIONAL PRODUCT INFORMATION OR COPIES OF DRAWINGS AND TECHNICAL DOCUMENTS	PRODUCT INFORMATION CENTER 1-800-522-6752
FOR APPLICATION TOOLING INFORMATION	TOOLING ASSISTANCE CENTER 1-800-722-1111
FOR ORDER ENTRY	1-800-526-5142

MAX RECOMMENDED OPERATING TEMPERATURE:  
105° C MAX

VOLTAGE RATING:  
300V MAX

CIRCULAR MIL AREA:  
0.26-0.96mm<sup>2</sup>  
[509-1900]  
STRANDED

THIS DRAWING IS A CONTROLLED DOCUMENT.

DIMENSIONS:  
INCHES

TOLERANCES UNLESS OTHERWISE SPECIFIED:

0 PLC	± -
1 PLC	± -
2 PLC	± -
3 PLC	± .005
4 PLC	± -
ANGLES	± -

MATERIAL  
BODY, BRASS .016  
SLV, NYLON, COLOR: RED

FINISH  
BODY, TIN

DWN	L OLMEDA	26JUN95
CHK	M ELLIS	26JUN95
APVD	B BARE	26JUN95
PRODUCT SPEC	—	—
APPLICATION SPEC	—	—
WEIGHT	—	—

CUSTOMER DRAWING

**Tyco Electronics** Tyco Electronics Corporation  
Harrisburg, PA 17105-3608

NAME  
RECEPTACLE, 187 SERIES,  
FASTON™, PIDG™,  
WIRE SIZE, 22-18 AWG

SIZE	CAGE CODE	DRAWING NO	RESTRICTED TO
A3	00779	C-640916	—

SCALE NTS SHEET 1 OF 1 REV H1