

SCREW

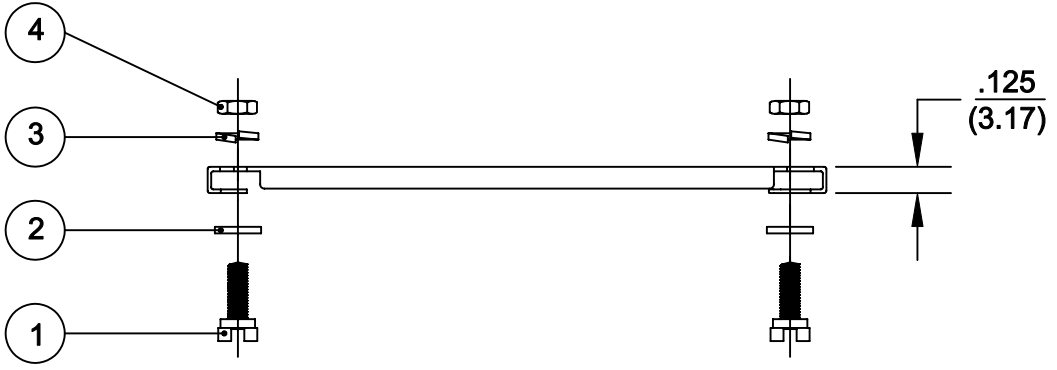
ITEM NO.
1

FLAT & SPLIT WASHERS

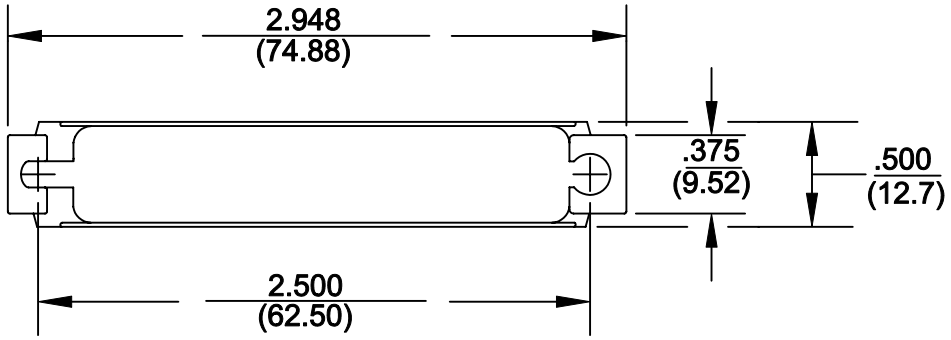
ITEM NO.	ID	OD	WIDTH
2	.120	.220	.031
3	.120	.200	.031

HEX NUT

ITEM NO.	ID	OD	WIDTH
4	4-40	.187	.062




- KIT INCLUDES:**
 (1) SLIDE LOCK BAR
 (2) 4-40 POSTS
 (2) FLAT WASHERS
 (2) LOCK WASHERS
 (2) 4-40 NUTS



MATERIALS:
 SLIDE LOCK: STAINLESS STEEL
 WASHERS & NUT: STEEL, NICKEL PLATED

RoHS COMPLIANT

DO NOT SCALE FROM DRAWING

	THESE DRAWINGS AND SPECIFICATIONS ARE THE PROPERTY OF NorComp AND SHALL NOT BE REPRODUCED, COPIED OR USED AS THE BASIS FOR THE MANUFACTURE OF SALE OF APPARATUS WITHOUT WRITTEN PERMISSION.		DRAWN: PAM JENKINS	DATE: 4-30-01
			CHECKED:	DATE:
NorComp		SCALE: 1:1	SHEET 1 OF 1	REV 0
		DWG NO. 160-037-005R031		