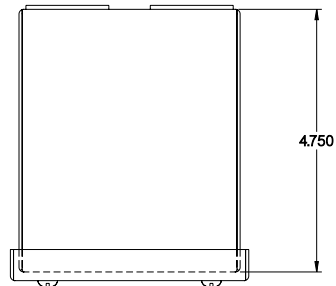




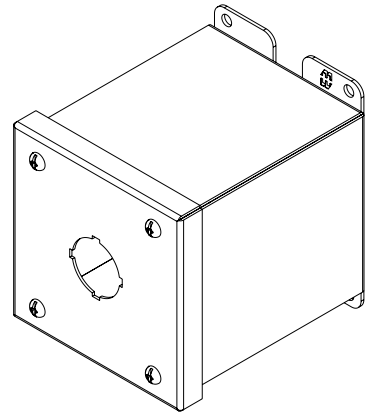
**PART No. 1437SSA**

for more information visit  
[www.hammfg.com](http://www.hammfg.com)  
Data subject to change without notice

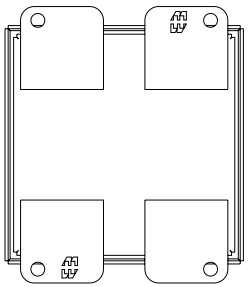
Isometric drawing Not to Scale



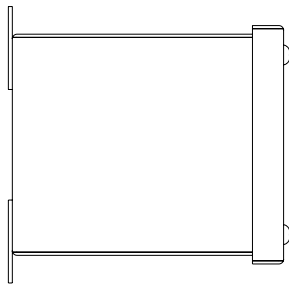
TOP VIEW



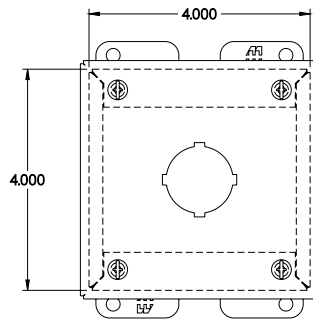
ISOMETRIC VIEW



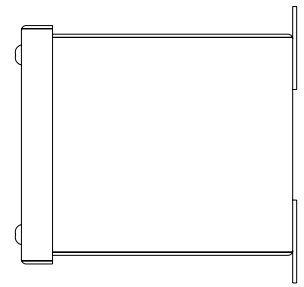
BACK VIEW



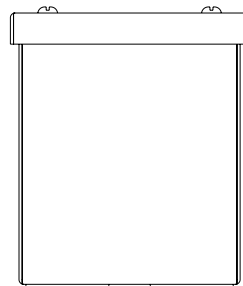
LEFT SIDE VIEW



FRONT VIEW



RIGHT SIDE VIEW



BOTTOM VIEW