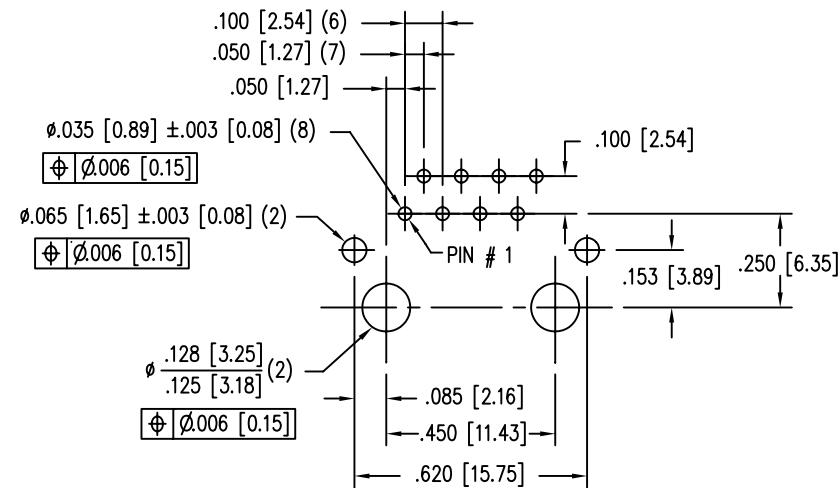
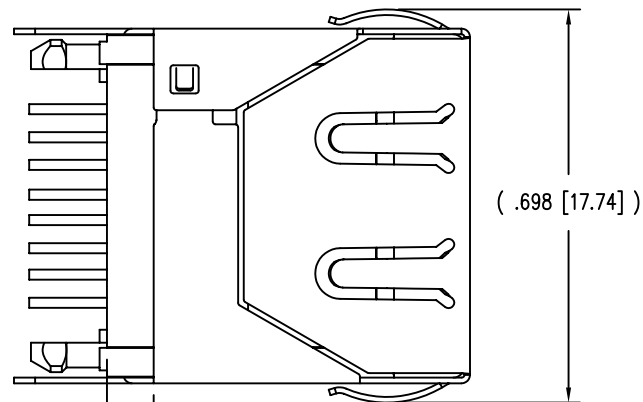


2

1

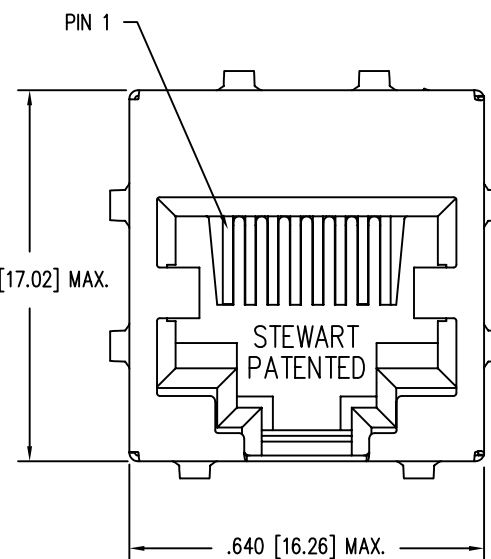
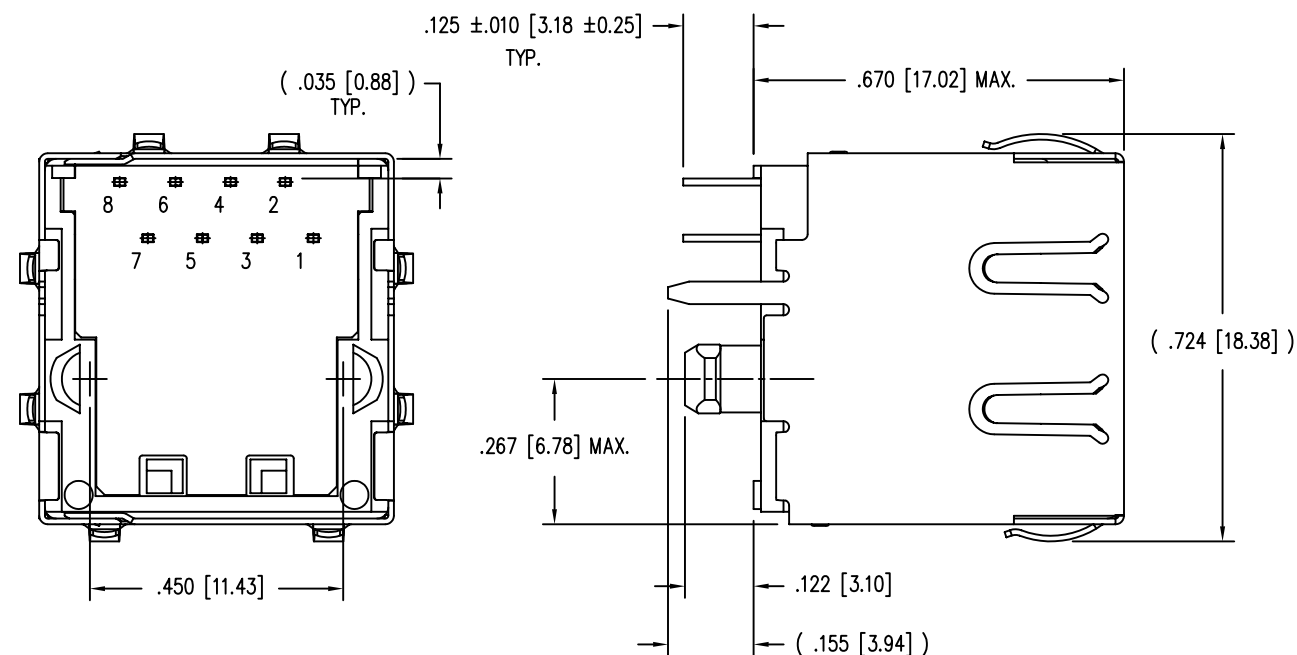
DATE	REV	ECN	APP'D. BY
3-6-09	A0	-	-



P.C.B. RECOMMENDED HOLE LAYOUT
SEEN FROM COMPONENT SIDE
ALL CENTERLINE DIMENSIONS ARE BASIC.

B

B

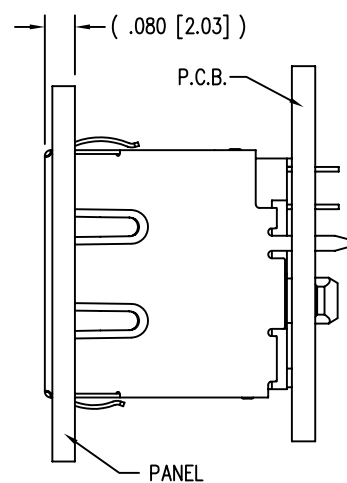
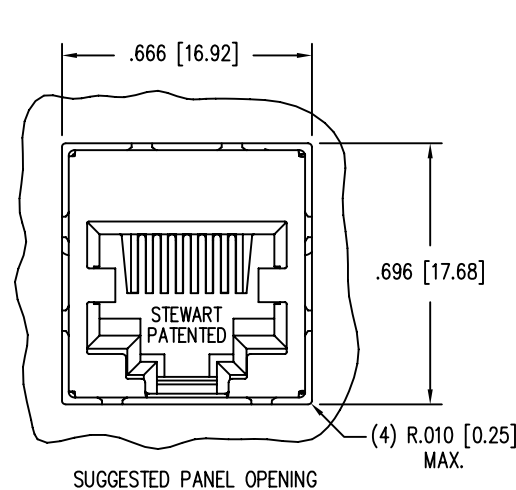


- NOTES:
- CONNECTOR MATERIALS:
HOUSING: THERMOPLASTIC UL94 V-0
CONTACTS/SHIELD: COPPER ALLOY
SHIELD PLATING: NICKEL OR "REFLOW" TIN
CONTACT PLATING: SELECTIVE GOLD IN CONTACT AREA
SEE CHART FOR PART NUMBER
 - FOR PRODUCT SPECIFICATIONS SEE PRO26-01.
 - RATED AT MAX. 260°C FOR MAX. 10 SECS.
 - DIMENSIONS AND TOLERANCES COMPLY WITH FCC/CFR 47, PART 68.
 - THE SUGGESTED PANEL OPENING IS INTENDED TO GIVE USER THE ABILITY TO HAVE REASONABLE JACK/PANEL CLEARANCES, YET MAINTAIN GROUNDING CAPABILITY. THESE VARIABLES CAN BE ADJUSTED IN EITHER DIRECTION BUT MAY CARRY SOME CONSEQUENCES IN THE FORM OF LOWER MATING FORCES OR TIGHTER ASSEMBLY TOLERANCES.
 - PRIOR TO INSTALLING SHIELD ON FINAL PART, KAPTON TAPE IS TO BE APPLIED TO PROVIDE FOR MAX 2250 DWV. SEE SHEET 2 OF 2 FOR TAPE APPLICATION.

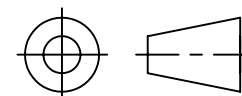
50 MICRO-INCHES [1.27um]	SS65100-054F
CONTACT PLATING IN MATING AREA	PART NUMBER

A

A



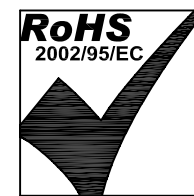
THIRD ANGLE PROJECTION



DO NOT SCALE DRAWING
DRAWING IS SUBJECT TO CHANGE WITHOUT NOTICE

DIMENSIONS: INCHES [METRIC]
UNLESS OTHERWISE SPECIFIED TOLERANCES ARE ± .005 [0.13] ANGLES ARE ± 1°

SHEET NO. 1 OF 2



Bel Stewart Connector

11118 Susquehanna Trail South
Glen Rock, PA 17327-9199
(717) 235-7512 Fax: (717) 235-7954 <http://www.stewartconnector.com>

TITLE: EIGHT CONTACT, TEN POSITION, VERTICAL MOUNT SHIELDED JACK, WITH "PG" STYLE PANEL GROUNDS ALL SIDES, HIGH TEMP

THIS DRAWING AND THE SUBJECT MATTER SHOWN THEREON ARE CONFIDENTIAL AND THE PROPRIETARY PROPERTY OF OF STEWART AND SHALL NOT BE REPRODUCED, COPIED OR USED IN ANY MANNER WITHOUT PRIOR WRITTEN CONSENT OF STEWART. THE SUBJECT MATTER MAY BE PATENTED OR A PATENT MAY BE PENDING.

DRN BY: TS	DATE 3-6-09
APPD BY: TRM	DATE 3-10-09
DWG NO. CT650131F	REV. A0

REV. 3/25/03

2

1

AutoCAD

2

1

PART NUMBER 8-0068
INSULATING TAPE ("KAPTON")
OR EQUIVALENT

PART NUMBER SS65100-010C

.01 [0.25]
.03 [0.81]

.25 [6.35]
.28 [7.11]

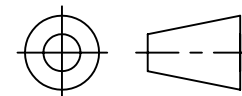
.12 [3.05]
.14 [3.56]

.12 [3.05]
.14 [3.56]

STEWART
PATENTED

KAPTON TAPE APPLIED TO PART SS65100-010F BEFORE
INSTALLING SHIELD FOR FINAL PART SS65100-054F

THIRD ANGLE PROJECTION

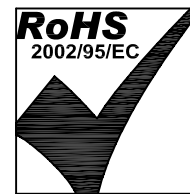


DO NOT SCALE DRAWING
DRAWING IS SUBJECT TO
CHANGE WITHOUT NOTICE

DIMENSIONS: INCHES [METRIC]

UNLESS OTHERWISE SPECIFIED
TOLERANCES ARE ±.005 [0.13]
ANGLES ARE ± 1°

SHEET NO. 2 OF 2



Bel Stewart Connector

11118 Susquehanna Trail South
Glen Rock, PA 17327-9199
(717) 235-7512 Fax: (717) 235-7954 <http://www.stewartconnector.com>

TITLE: EIGHT CONTACT, TEN POSITION, VERTICAL MOUNT SHIELDED
JACK, WITH "PG" STYLE PANEL GROUNDS ALL SIDES, HIGH TEMP

THIS DRAWING AND THE SUBJECT MATTER SHOWN THEREON
ARE CONFIDENTIAL AND THE PROPRIETARY PROPERTY OF
OF STEWART AND SHALL NOT BE REPRODUCED, COPIED
OR USED IN ANY MANNER WITHOUT PRIOR WRITTEN
CONSENT OF STEWART. THE SUBJECT MATTER MAY
BE PATENTED OR A PATENT MAY BE PENDING.

DRN BY:	TS	DATE	3-6-09
APPD BY:	TRM	DATE	3-10-09
DWG NO.	CT650131F	REV.	A0

REV. 3/25/03

2

1

AutoCAD