

5

4

3

2

1

D



Description: F screw locks, .30"

Part No: 40-98440F/-C

Application: D-Sub Hardware

Crimp Tool: N/A

Impedance: N/A

Frequency Range: N/A

Material: Bolt Brass Nickel plated

Nut Steel Nickel plated

Washer Steel Nickel plated

Washer Steel Nickel plated

RoHS Compliance: Yes

Technical Detail: N/A

DRAWING NO.  
40-98440F/-C-CUST

## REVISIONS

01

OFFICIAL RELEASE

04-02-11

J J D

02

CHANGE BOLT MATERIAL FROM  
STEEL TO BRASS

07-26-11

L H M

ECO-11-0127

03

ADD P/N -C

12-19-12

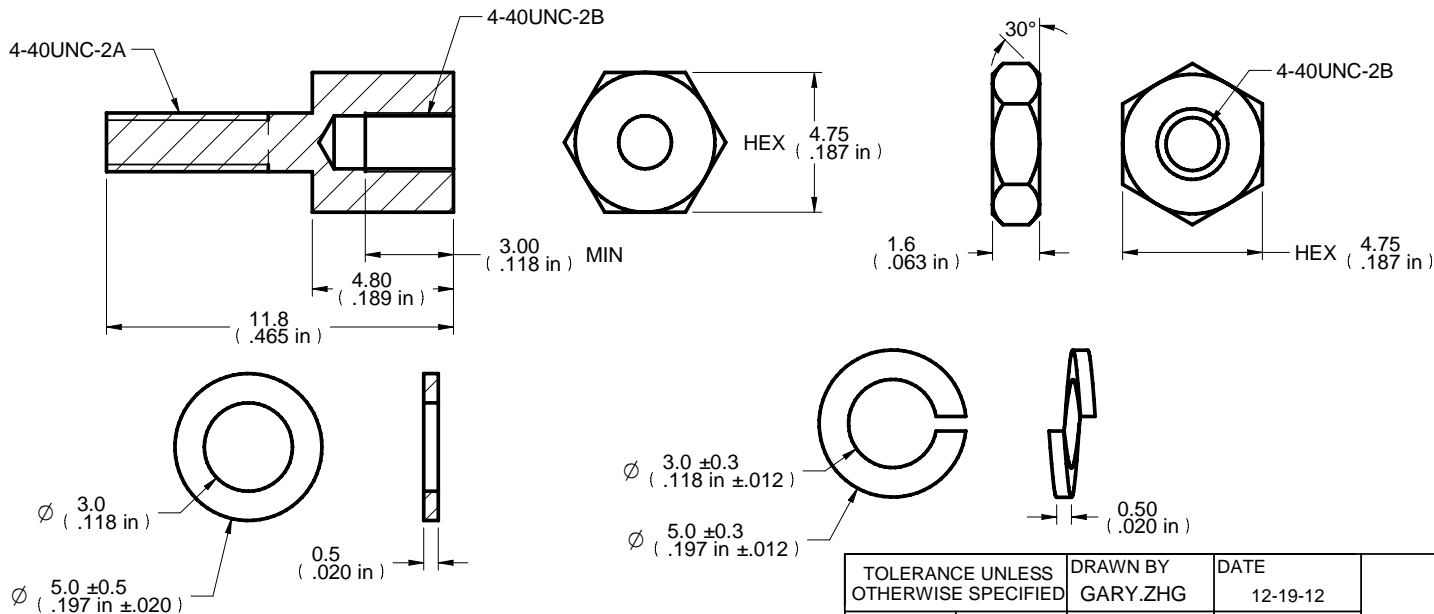
G M M

ECO-12-0335

C

B

A



## DIM OUTLINE

40-98440F-C	
40-98440F	

TOLERANCE UNLESS OTHERWISE SPECIFIED		DRAWN BY GARY.ZHG	DATE 12-19-12
DECIMALS	mm	CHECKED BY MONICA.W	DATE 12-19-12
X.X	+ 0.2	APPROVED BY MA LIN	DATE 12-19-12
X.XX	+ 0.1	U/M	mm
X.XXX	+ 0.08		
ANGLES	+ 0.5°		

THIS DRAWING WAS PRODUCED BY COMPUTER,  
DO NOT SCALE DRAWING OR UPDATE MANUALLY.

 <b>cinch</b> CONNECTIVITY SOLUTIONS a bel group		
SHEET 1 OF 1	DRAWING NO. 40-98440F/-C-CUST	SIZE A

D

C

B

A

5

4

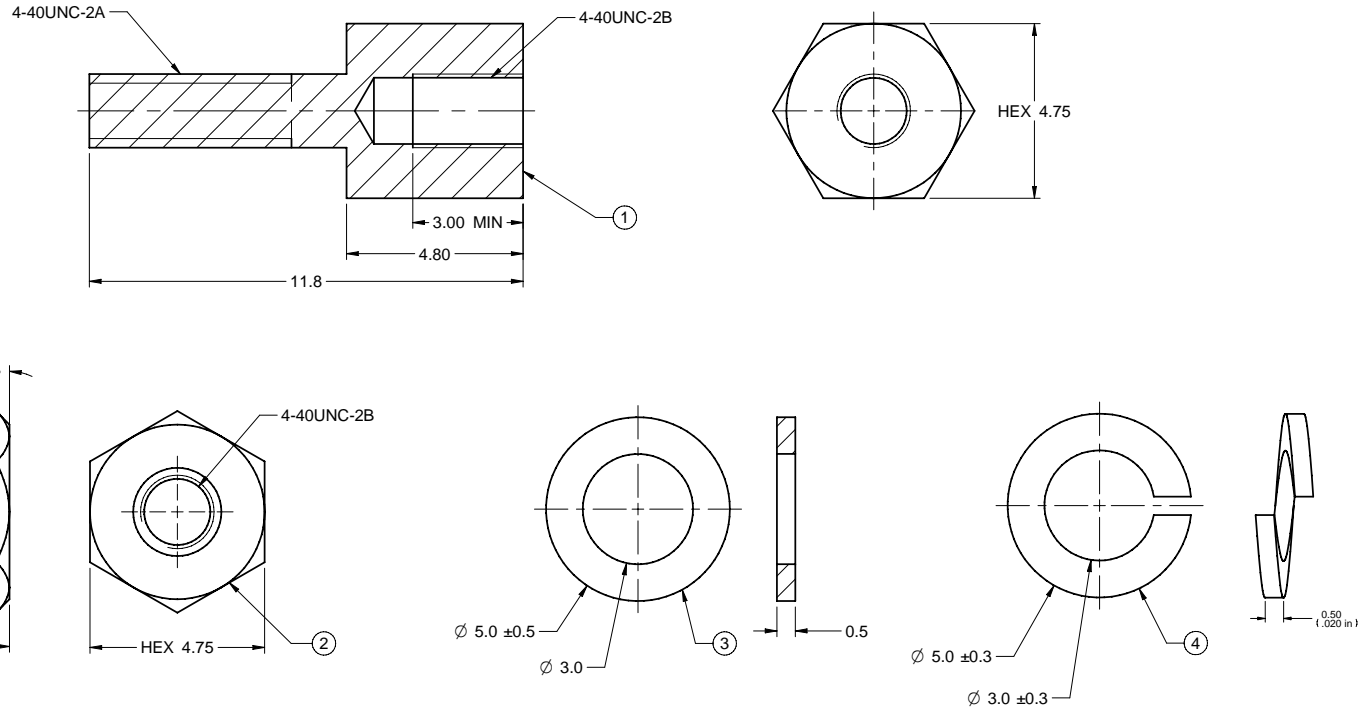
3

2

1

PART NUMBER	ITEM ① BOLT	ITEM ② NUT	ITEM ③ WASHER	ITEM ④ WASHER
40-98440F/-C	BRASS NICKEL PLATED	STEEL NICKEL PLATED	STEEL NICKEL PLATED	STEEL NICKEL PLATED

DRAWING NO. 40-98440F/-C	
REVISIONS	
01	OFFICIAL RELEASE 04-02-11 J J D
02	CHANGE BOLT MATERIAL FROM STEEL TO BRASS 07-26-11 L H M ECO-11-0127
03	ADD P/N -C 12-19-12 C W M L ECO-12-0335



- NOTES:
- PRODUCT SHOULD BE RoHS COMPLIANCE.
  - PACKAGING REQUIREMENT FOLLOWS ENGINEER DOCUMENT P/N 836-4020001XX

40-98440F-C	F SCREW LOCKS, .30°(50 SET)
40-98440F	F SCREW LOCKS, .30°(1 SET)

THIS DRAWING TO BE INTERPRETED  
PER ANSI Y 14.5M - 1994  
**COMPANY CONFIDENTIAL**

TOLERANCE UNLESS OTHERWISE SPECIFIED	DRAWN BY GARY.ZHG	DATE 12-19-12	<p><b>Connectivity Solutions</b></p>
DECIMALS	CHECKED BY MONICA.W	DATE 12-19-12	
X.XX	APPROVED BY MA LIN	DATE 12-19-12	
X.XXX	U/M	mm	
ANGLES	+ 0.5°		
THIS DRAWING WAS PRODUCED BY COMPUTER, DO NOT SCALE DRAWING OR UPDATE MANUALLY.			SHEET 1 OF 1 DRAWING NO. 40-98440F/-C SIZE C