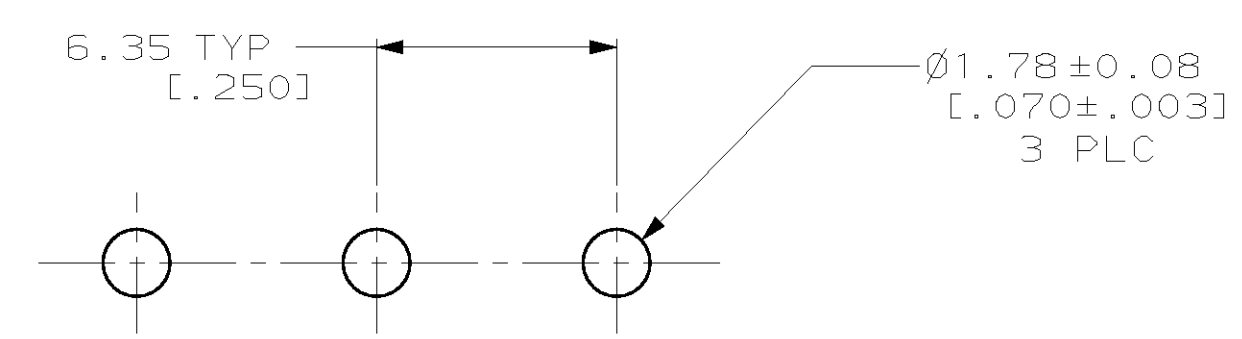
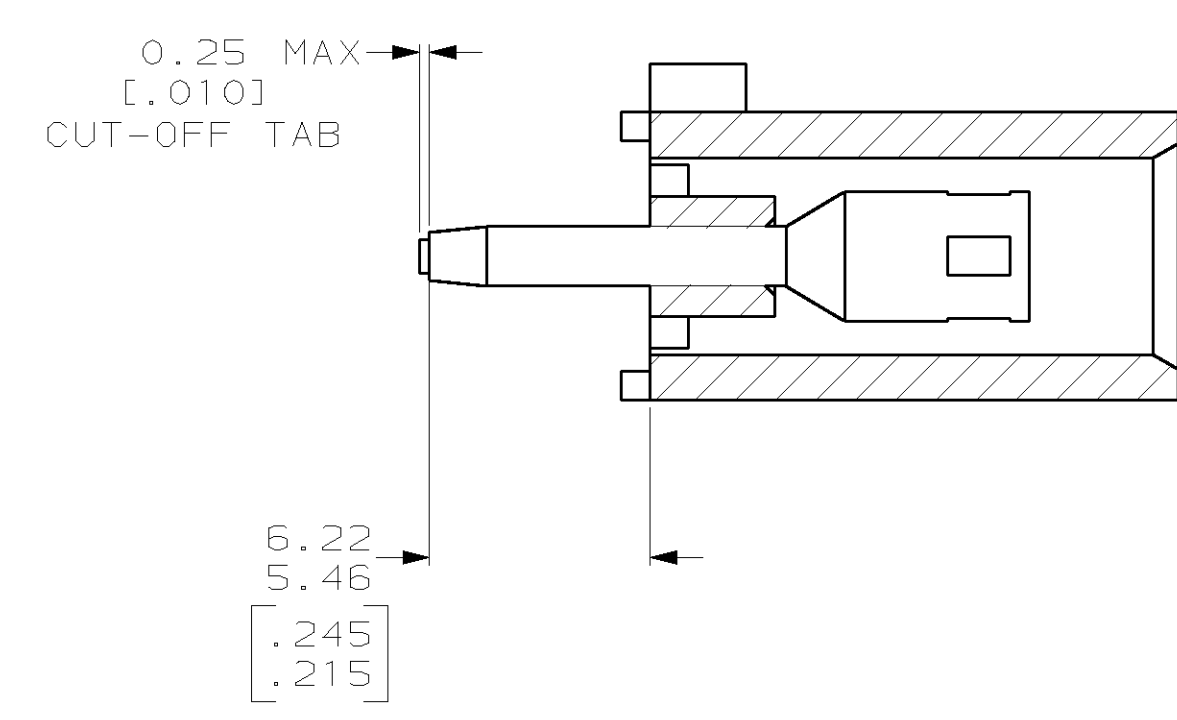
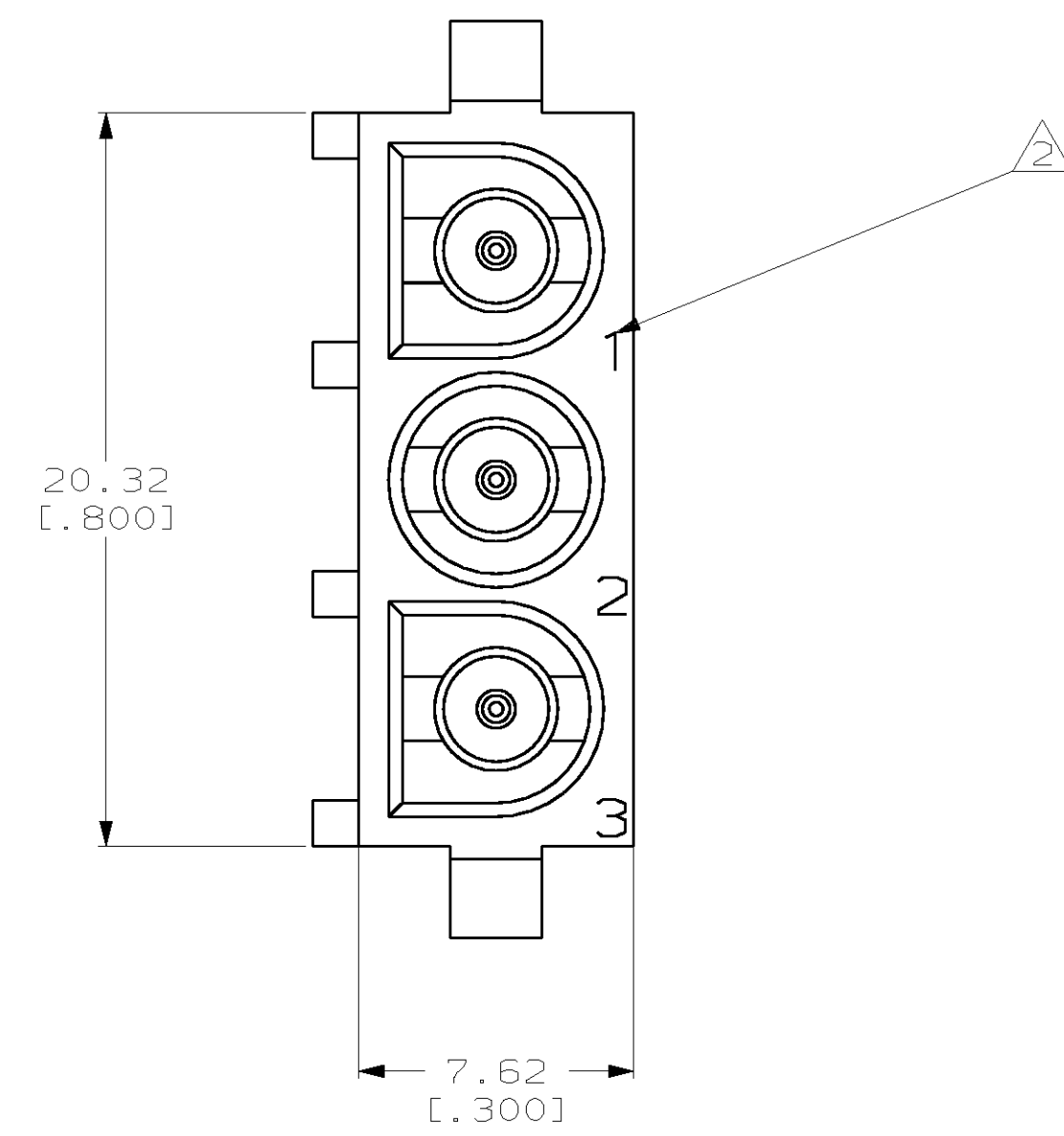
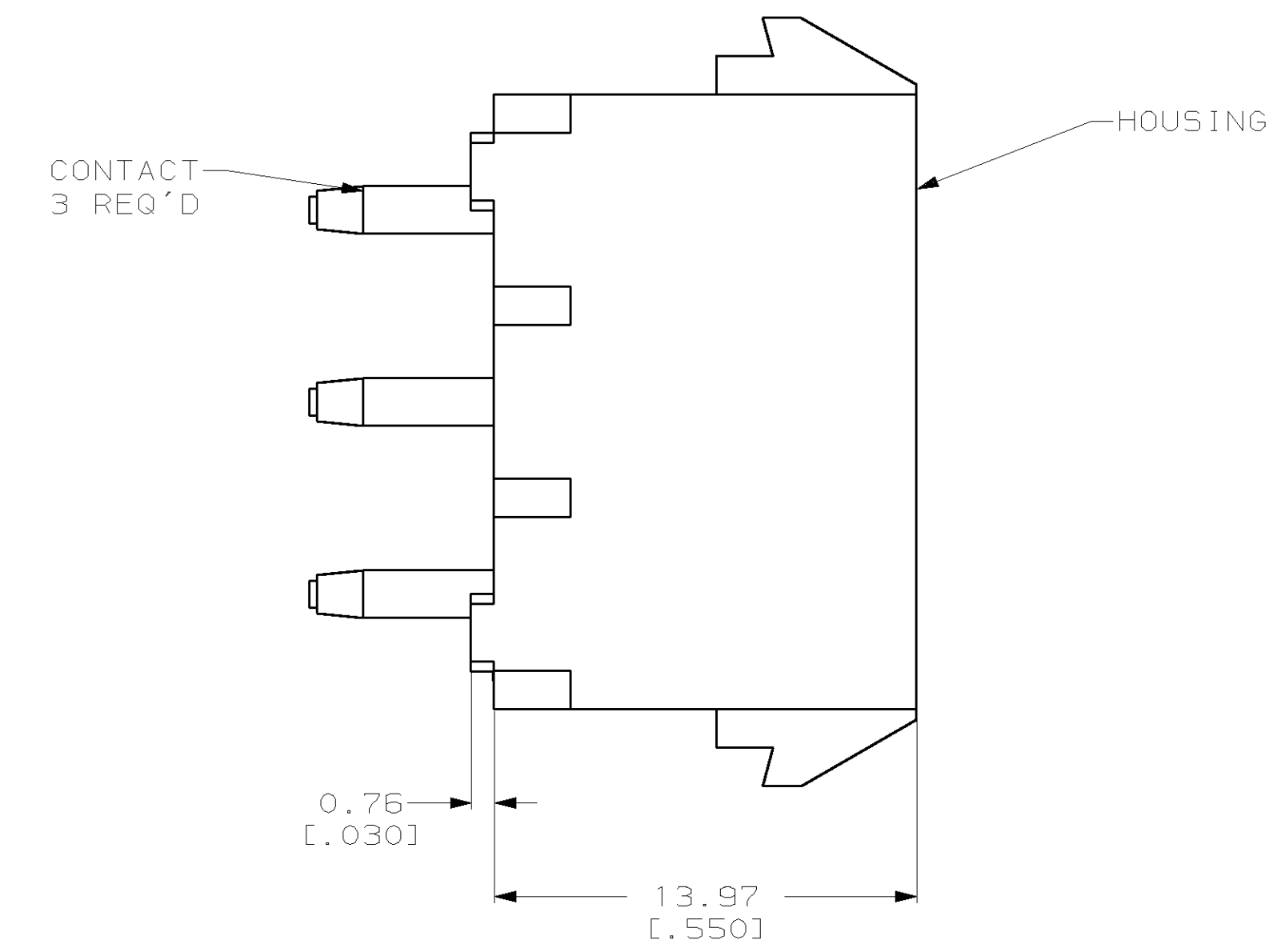
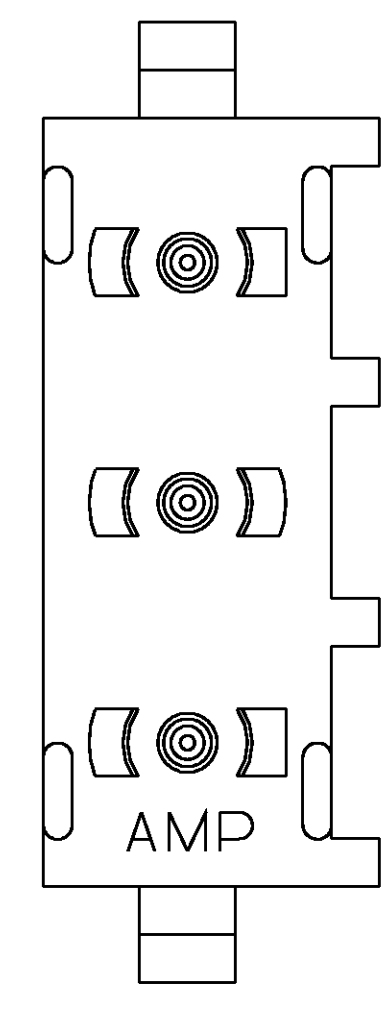
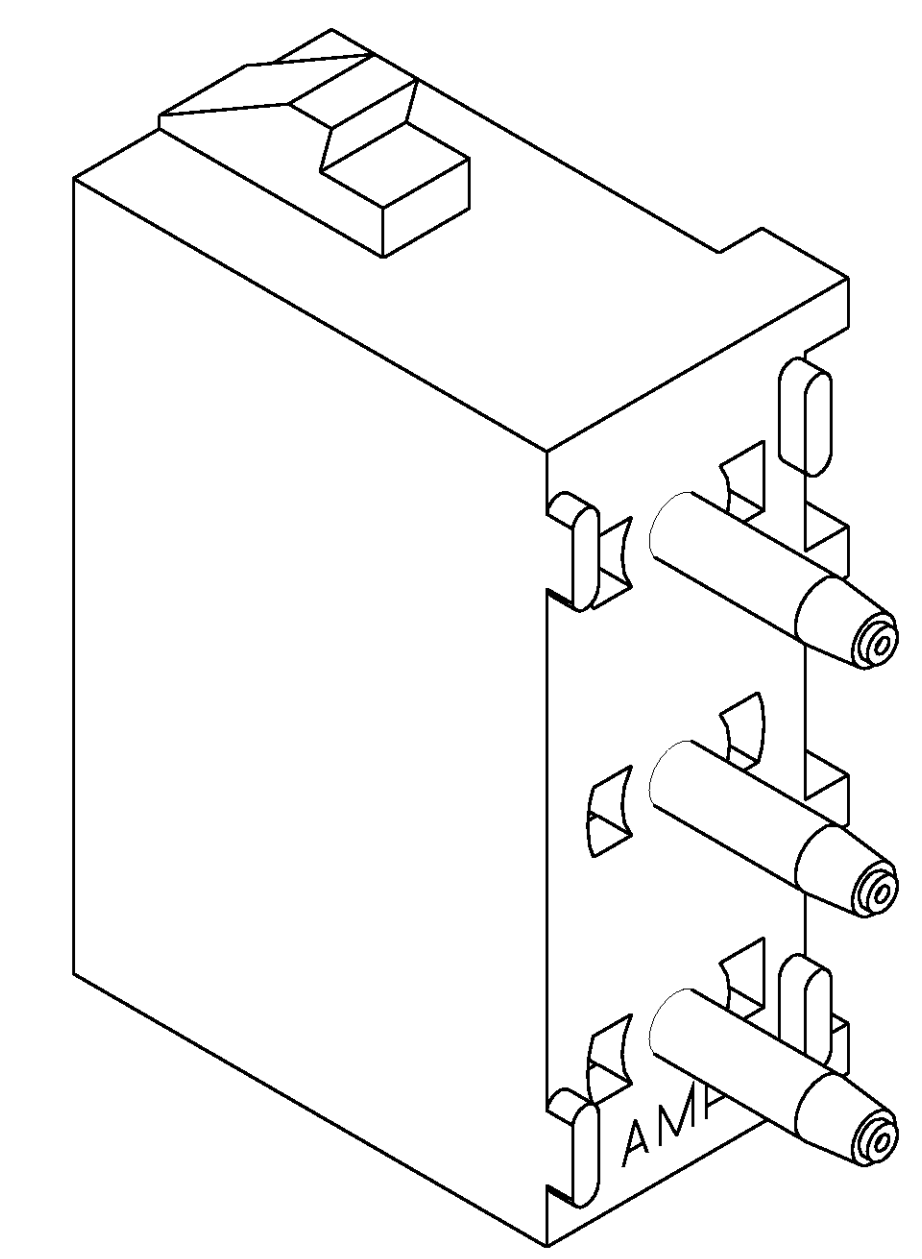


- PARTS COMPLY TO AMP SOLDERABILITY SPECIFICATION 109-11-3.
- CIRCUIT IDENTIFICATION CHARACTERS ARE ADJACENT TO THE INDICATED CAVITIES, BUT LOCATION AND ORIENTATION MAY DIFFER FROM PRINT.
- DIMENSIONS IN BRACKETS ARE IN INCHES.



RECOMMENDED MOUNTING HOLE PATTERN FOR 3.18 [.125] THICK P.C. BOARD



3-DIMENSIONAL MODEL NTS

PHOSPHOR BRONZE, PRE-TIN	NYLON, UL94V-2, NATURAL	350987-4
PIN CONTACT MATERIAL AND FINISH	HOUSING MATERIAL	PART NO
THIS DRAWING IS A CONTROLLED DOCUMENT.		
DIMENSIONS mm (INCHES)	TOLERANCES UNLESS OTHERWISE SPECIFIED.	DWN: B. LEWIS 8-19-98 CHK: R. SWING 8-19-98 APVD: M. TRULLI 8-19-98 NAME: AMP Incorporated ADDRESS: Harrisburg, PA 17105-3608 PRODUCT SPEC: SOCKET HEADER ASSEMBLY, 3 CIRCUIT UNIVERSAL MATE-N-LOK™ APPLICATION SPEC: - SIZE: A1 CAGE CODE: 00779 DRAWING NO: C-350987 WEIGHT: - CUSTOMER DRAWING: - SCALE: 5:1 SHEET: 1 OF 1 REV: H
MATERIAL: SEE TABLE	FINISH: SEE TABLE	

