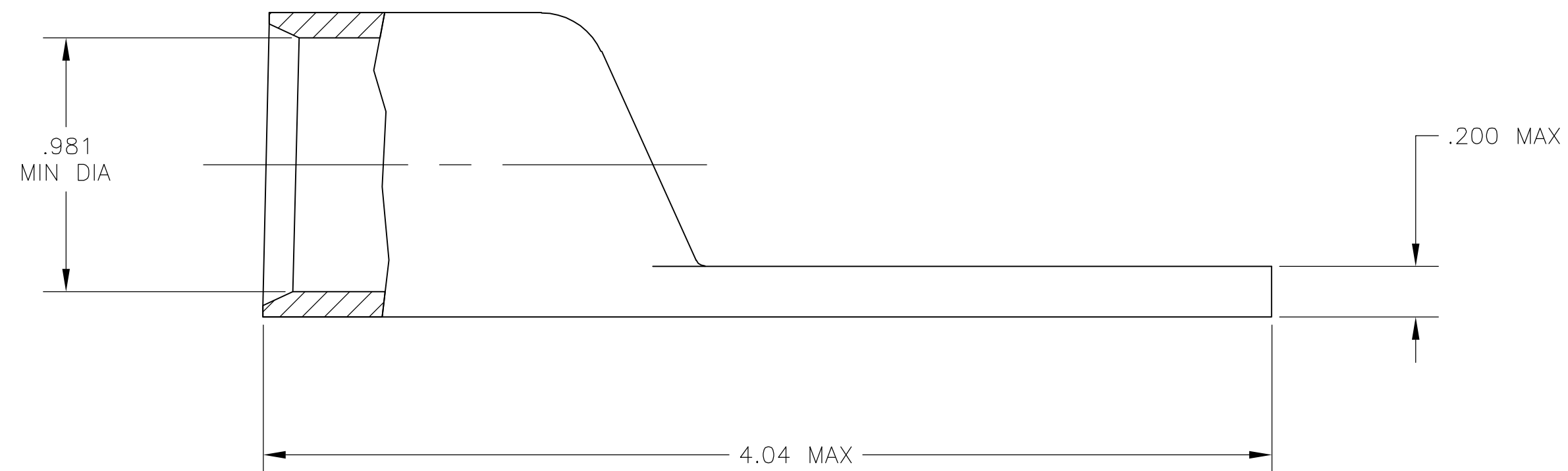
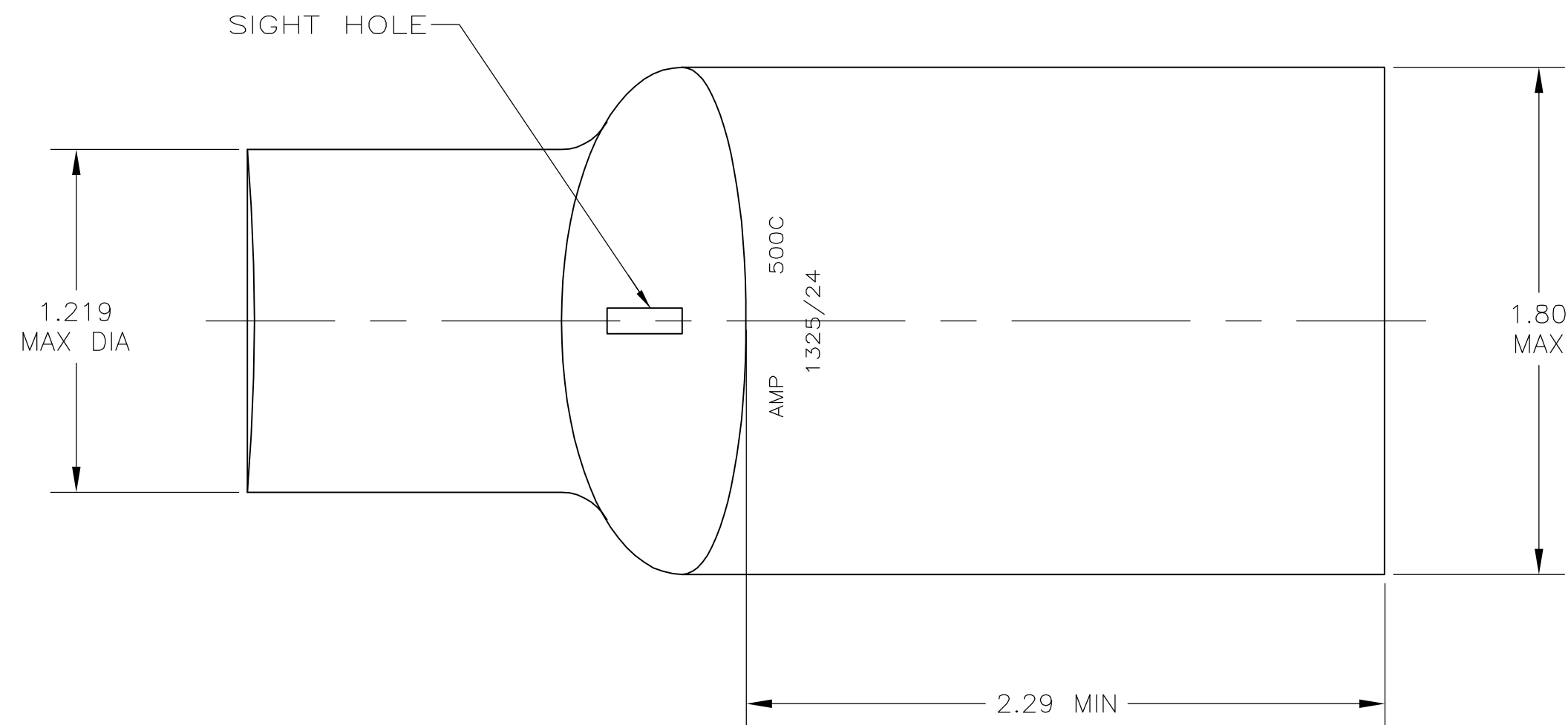


THIS DRAWING IS UNPUBLISHED. RELEASED FOR PUBLICATION
 © COPYRIGHT BY TYCO ELECTRONICS CORPORATION. ALL RIGHTS RESERVED.

LOC	DIST	REVISIONS					
G	86	P	LTR	DESCRIPTION	DATE	DWN	APVD
		S		REACTIVATED PER ECR 07-009084	23APR07	JR	MS



- 1 CIRCULAR MIL AREA RANGE: 450-550 MCM
- 2 COPPER PER ASTM B-152, ANNEALED
- 3 .000150 MIN TIN PLATE PER ASTM B-545

326113
 PART NO.

THIS DRAWING IS A CONTROLLED DOCUMENT.		DWN	DK SCHRUM	03/16/90	Tyco Electronics Corporation Harrisburg, PA 17105-3608		
DIMENSIONS: INCHES		CHK	MS FEHER	24JAN95			
TOLERANCES UNLESS OTHERWISE SPECIFIED:		APVD	TL SHUTTER	24JAN95	NAME		
0 PLC ± -		PRODUCT SPEC		108-30200			
1 PLC ± -		APPLICATION SPEC		-			
2 PLC ± .020		WEIGHT		.412 LB			
3 PLC ± -		MATERIAL		-			
4 PLC ± -		FINISH		-			
ANGLES ± -		CUSTOMER DRAWING		SCALE	2:1		SHEET
FINISH		-		A2 00779 C=326113		1 of 1	
-		-		REV		S	