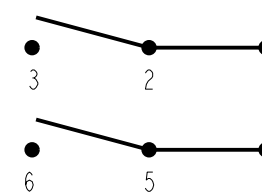
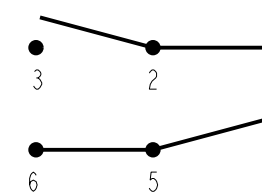


CIRCUIT DIAGRAM

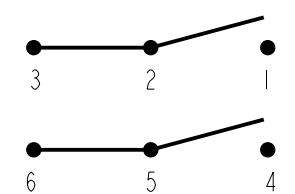
LUG SIDE
(MOMENTARY POSITION)



CENTER
(MAINTAINED POSITION)



OPPOSITE LUG
(MOMENTARY POSITION)

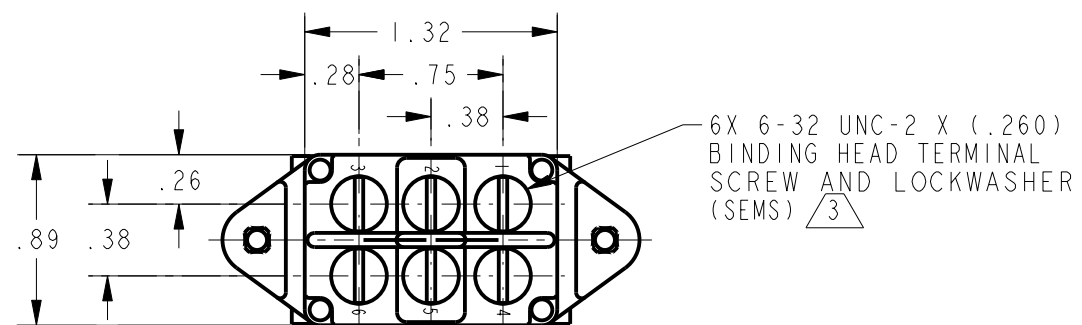
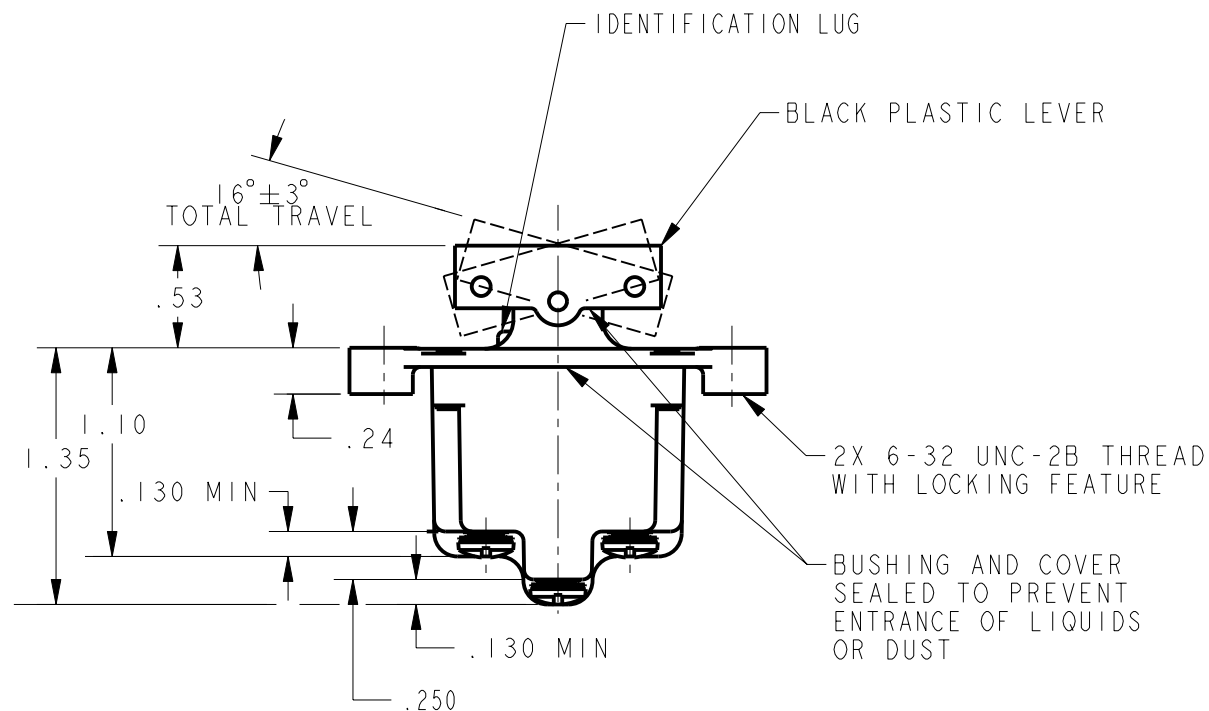
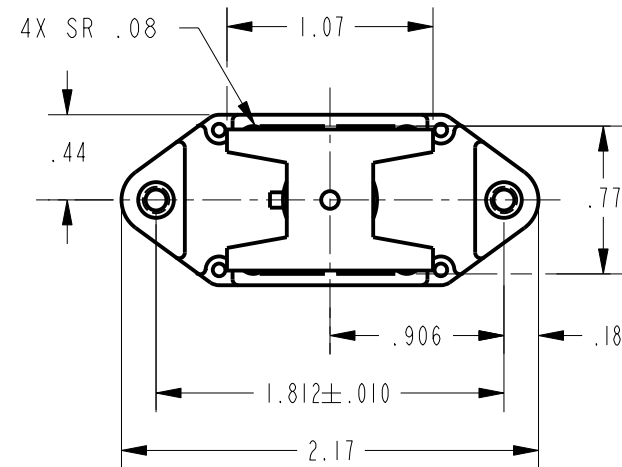


ELECTRICAL DATA

L192
10A 125, 250, 277 VAC
1/4HP 125 VAC,
1/2HP 250, 277 VAC
3A 125 VAC "L"



CATALOG LISTING
 2TP7-70
 PAGE 1 OF 1
 RELEAS NO. PR-19477
 REPLACES
 ISSUE 3
 CHECK
 REVISIONS
 A C094415
 TSM 24NOV99
 CHECK
 SAV 24NOV99
 CHECK
 TSM 24NOV99
 DRAWN
 PTC/CAD 2D



NOTES

- 1 - SWITCH WILL WITHSTAND TEMPERATURE OF 160°F CONTINUOUSLY AT FULL RATED LOAD
- 2 - MICRO SWITCH CATALOG LISTING MARKED ON SIDE OF SWITCH
- 3 - SCREWS FURNISHED UNASSEMBLED

ELECTRICAL DATA

MILITARY RATING (AMPS)									
RESISTIVE LOAD					LAMP LOAD		INDUCTIVE LOAD		
DC VOLTS		AC VOLTS			28 VDC	125 VAC	28 VDC	125 VAC	
28	125	250	125	250	5	2	10	8	
18	.75	.5	11	6	5	2	10	8	

THIRD ANGLE PROJECTION	
SCALE	FULL
DO NOT SCALE PRINT	
UNLESS OTHERWISE SPECIFIED TOLERANCES ARE	
ONE PLACE	(.0) ±.030
TWO PLACE	(.00) ±.015
THREE PLACE	(.000) ±.005
ANGLES	±
WEIGHT	.14 LB EST