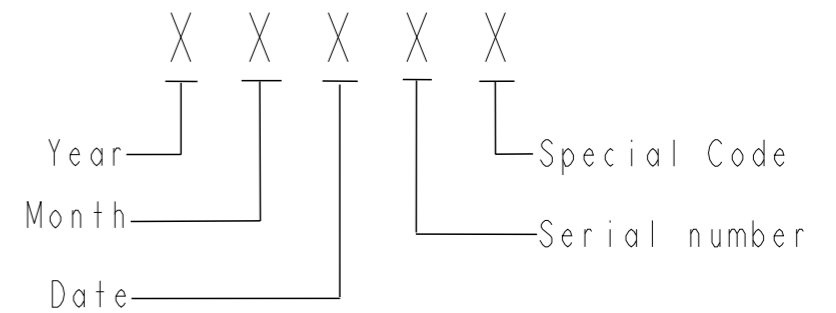
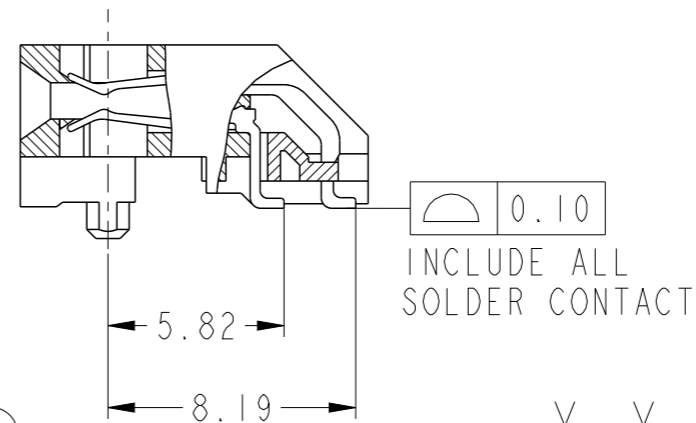
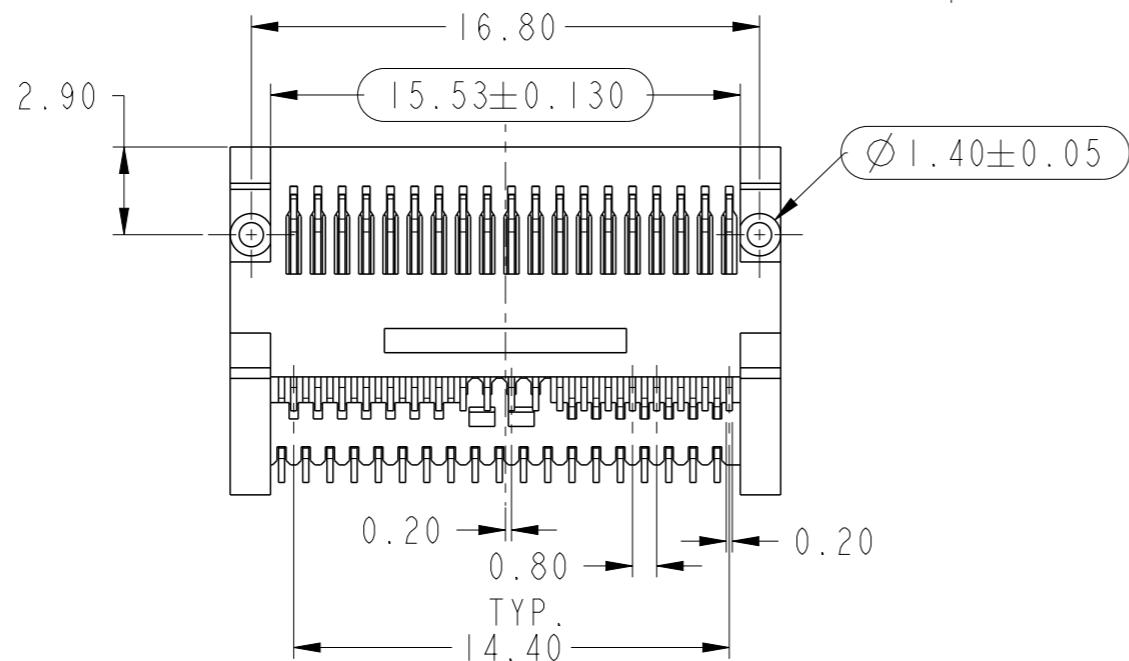
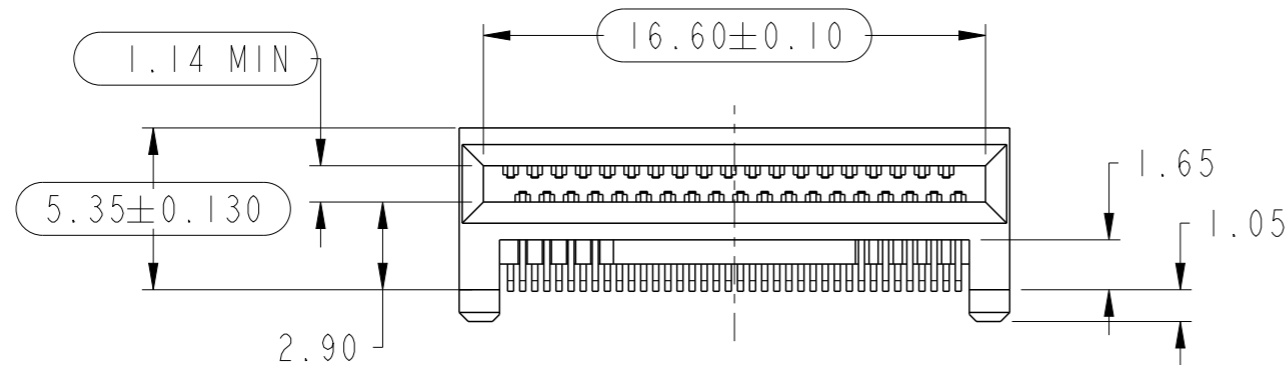
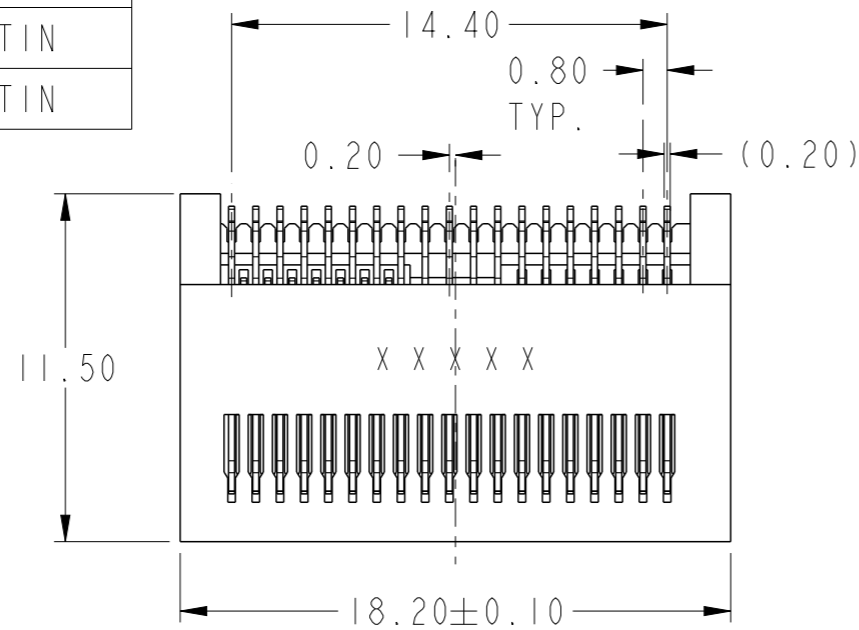


PART NUMBER	PLATING
10099113-101LF	SATIN TIN
10099113-102LF	MATTE TIN

NOTES:

- MATERIAL:
HOUSING: THERMOPLASTIC GLASS FILLED.
SPACER: THERMOPLASTIC GLASS FILLED.
CONTACT: COPPER ALLOY
- PLATING:
CONTACT AREA: 0.76um Au OVER 2.54um MIN. NICKEL.
SOLDER AREA: 2.54um MIN. TIN OVER 2.54um MIN. NICKEL.
- PRODUCT SPECIFICATION: GS-12-622
- APPLICATION SPECIFICATION: GS-20-126
- PRODUCT MEETS EUROPEAN UNION DIRECTIVES AND OTHER COUNTRY REGULATIONS AS DESCRIBED IN GS-22-008.
- DATE CODE BE PRINTED ON PROPER SURFACE.



DATE CODE DESCRIPTION

spec ref	-	dr	Andy Zhang	2010/11/03	projection	MM	size	A3	scale	4:1
tolerance std	ASME Y14.5	eng	Andy Zhang	2012/04/27			ecn no	ELX-N-011478-1		
	TOLERANCES UNLESS OTHERWISE SPECIFIED	chr	-	appr			Rick Bian	2012/04/27	product family	-
surface	✓	linear	0.X	±0.10		QSFP 38POS CONNECTOR QSFP BOARD CONNECTOR	dwg no 10099113	rev		
			0.XX	±0.05				F		
		angular	0°	±2°				www.fci.com		
		cat. no.	-		Product - Customer Drw		sheet 1 of 2			

PART NUMBER
10099113-101LF

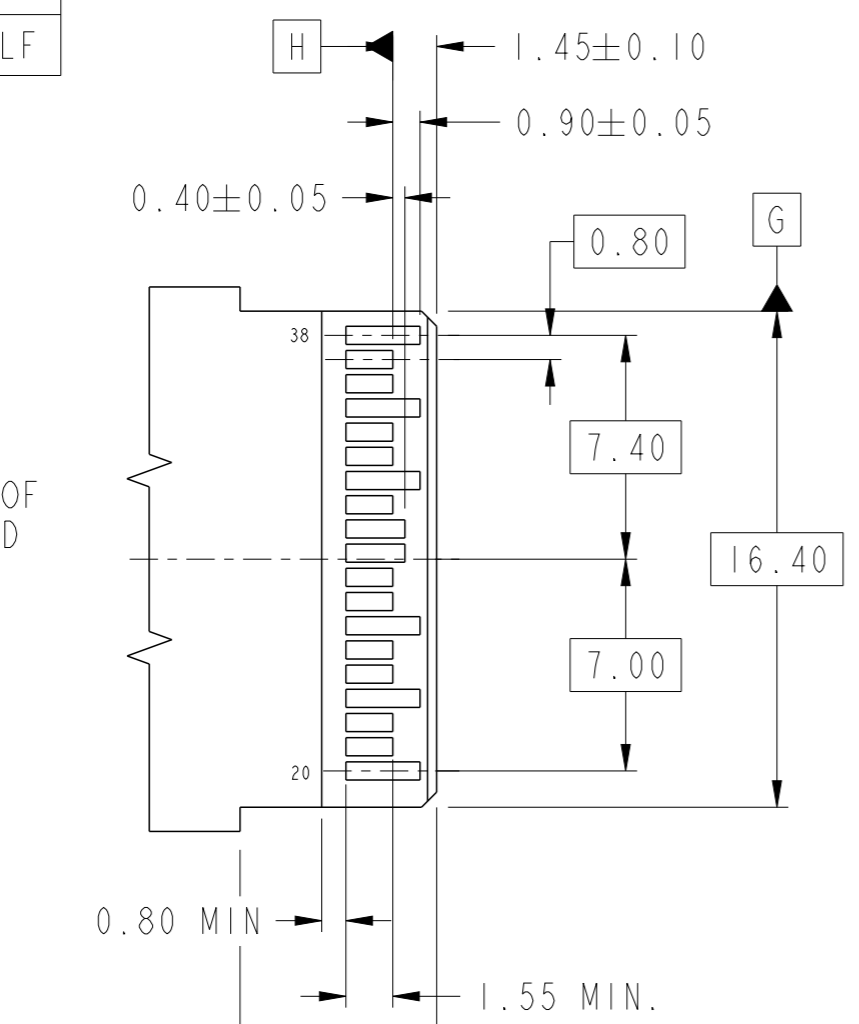
A

B

C

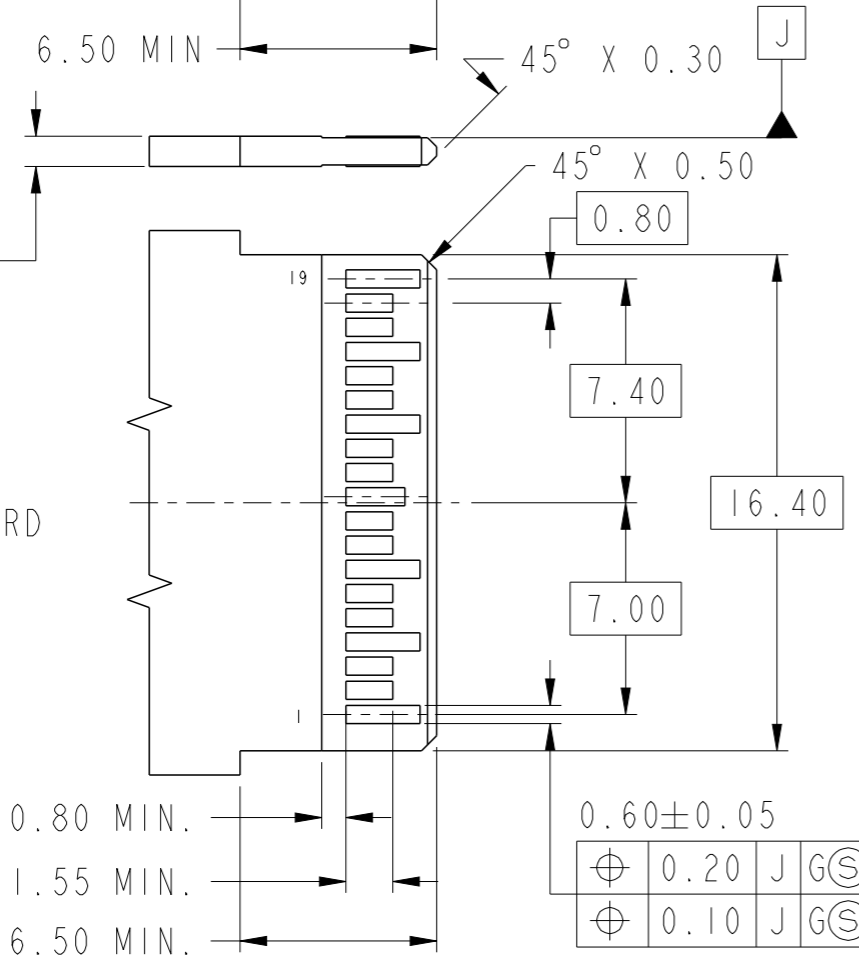
D

TOP VIEW OF
PLUG BOARD



1.00±0.10
OVER PAD

BOTTOM VIEW
OF PLUG BOARD



⊕ 0.20	J	G(S)	H
⊕ 0.10	J	G(S)	

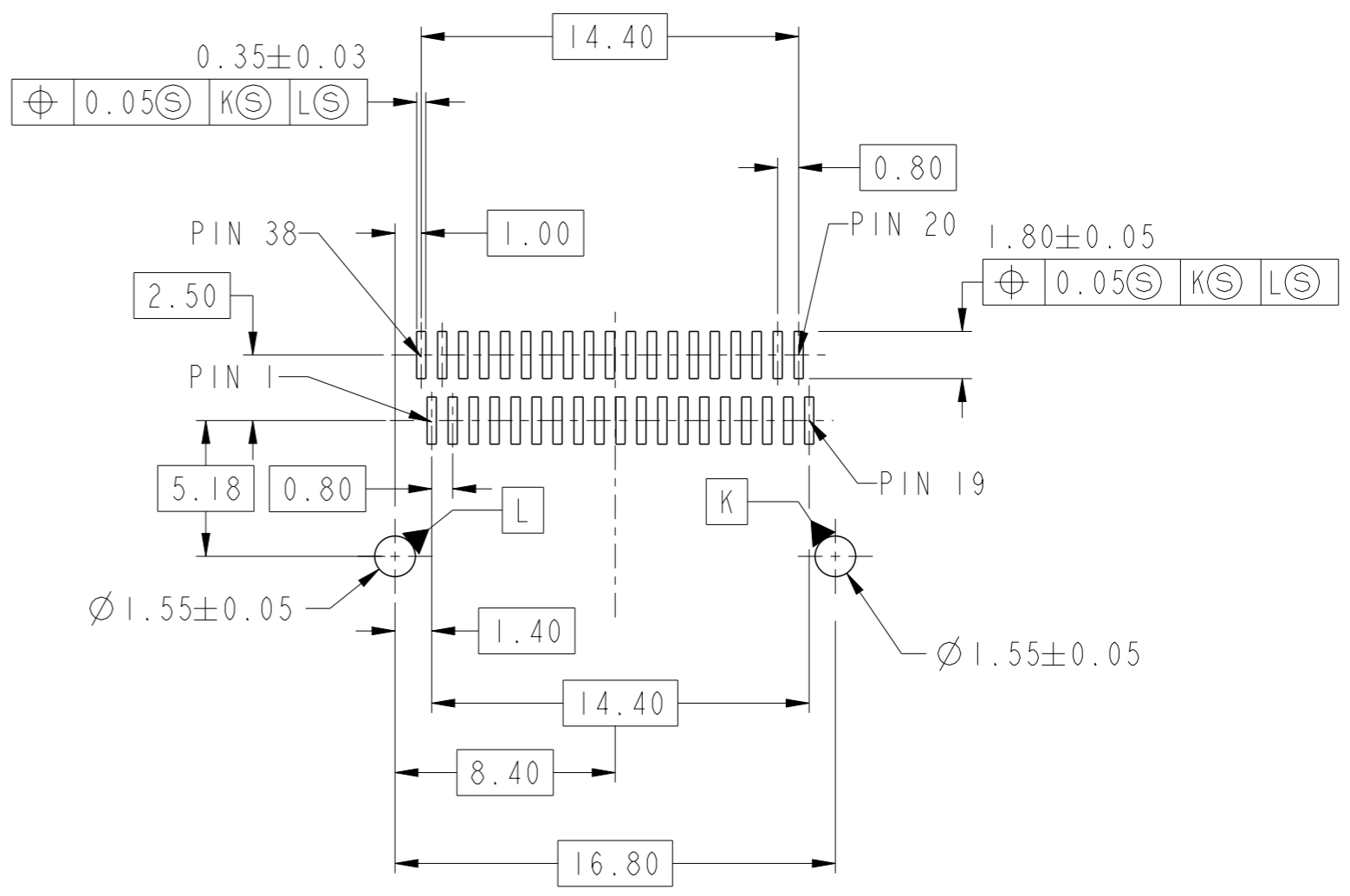
A

B

C

D

RECOMMENDED PCB LAYOUT
(COMPONENT SIDE)



dr	Andy Zhang	2010/11/03	projection	MM	size	A3	scale	4:1
eng	Andy Zhang	2012/04/27			ecn no			
chr	-	-			ELX-N-011478-1			
appr	Rick Bian	2012/04/27	product family		rel level			
			QSFP 38POS CONNECTOR QSFP BOARD CONNECTOR			dwg no 10099113		rev F
www.fci.com			cat. no.		-		Product - Customer Drw	