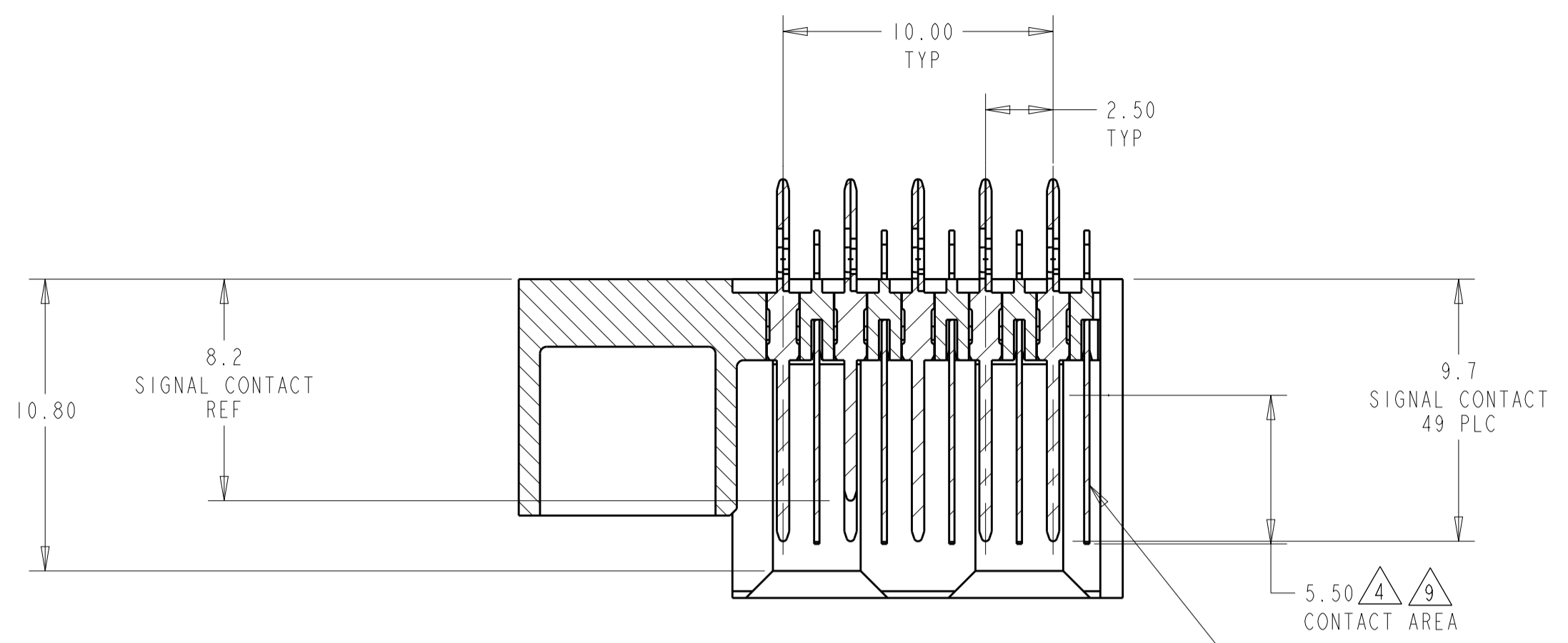
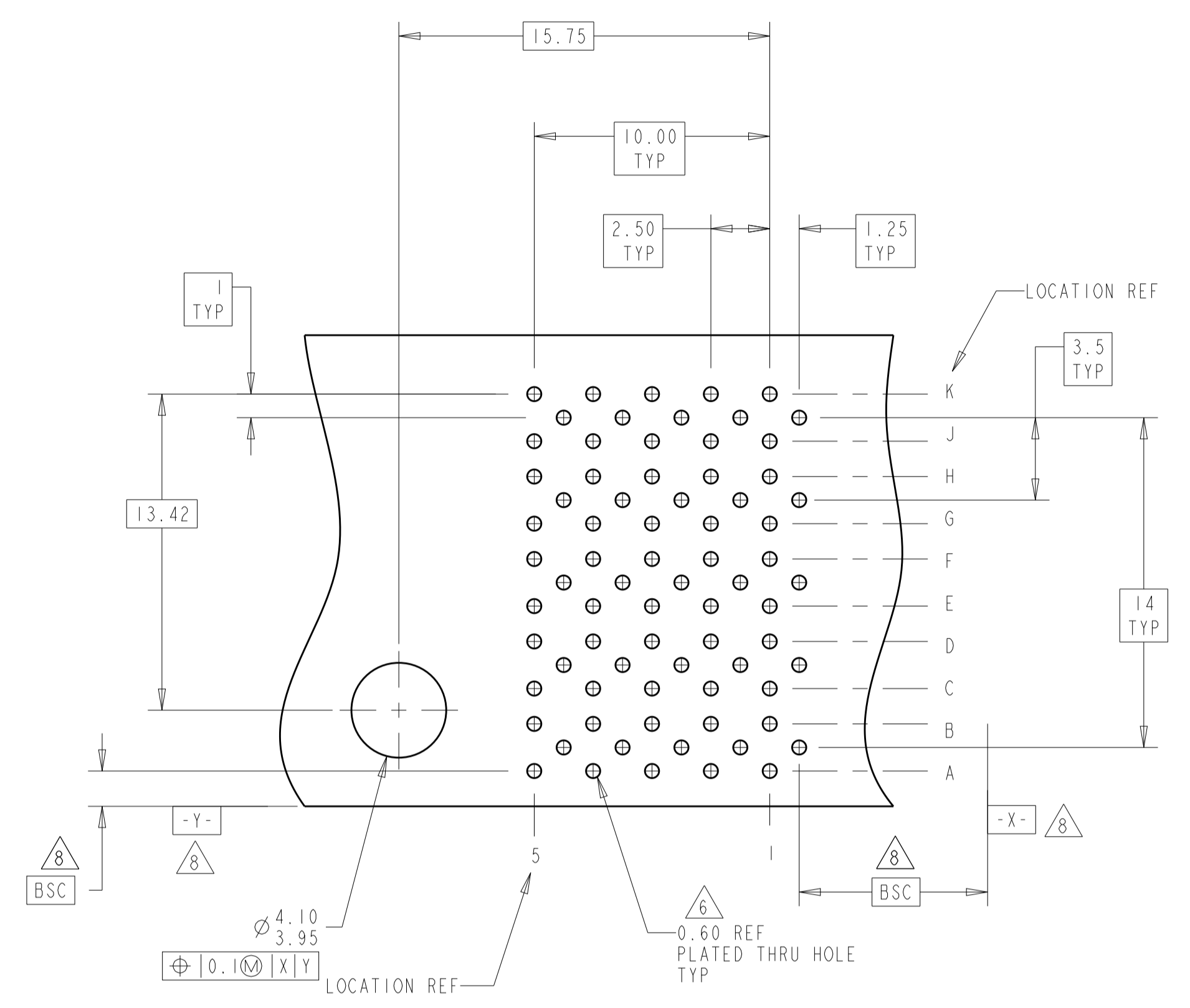
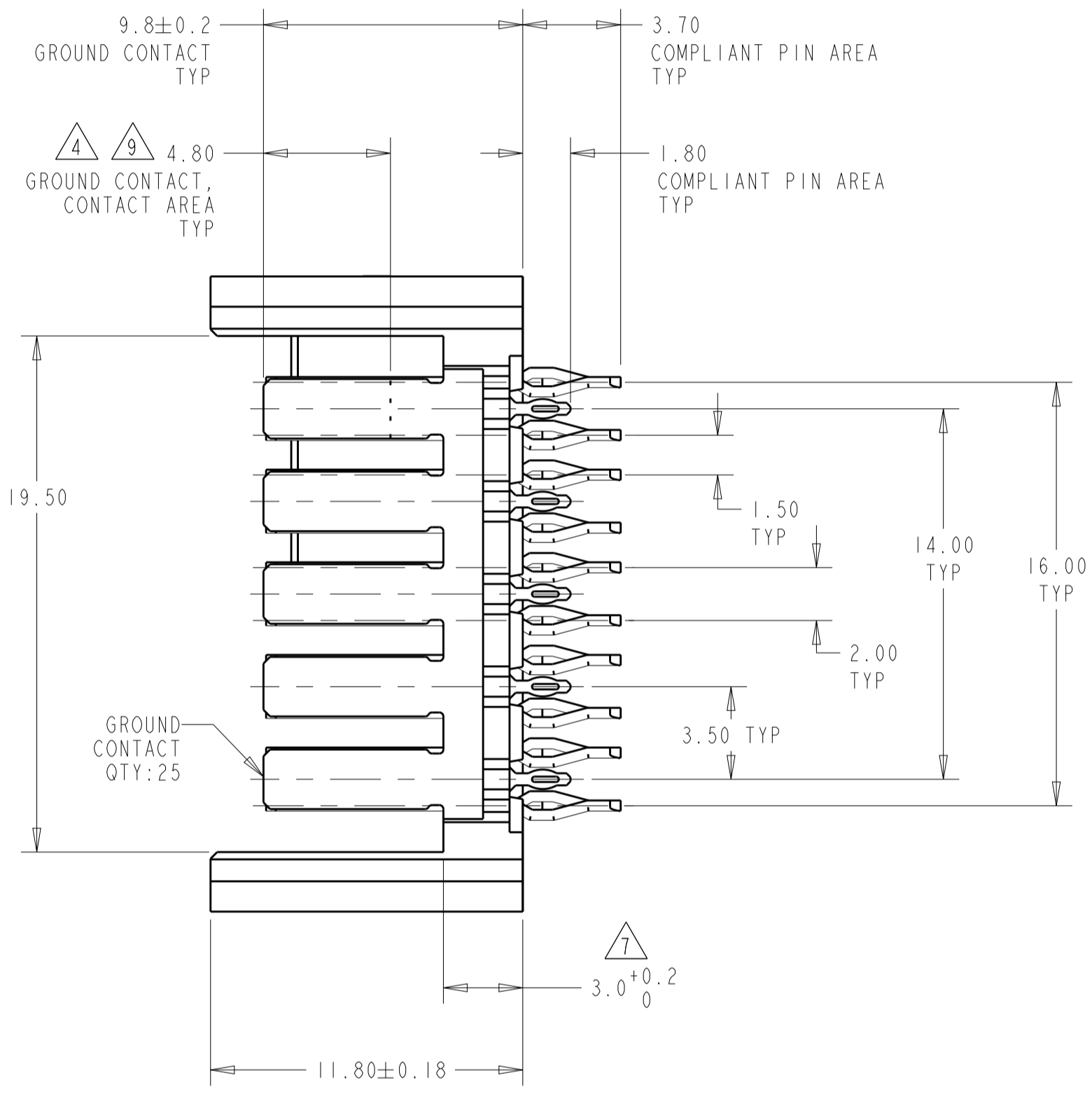
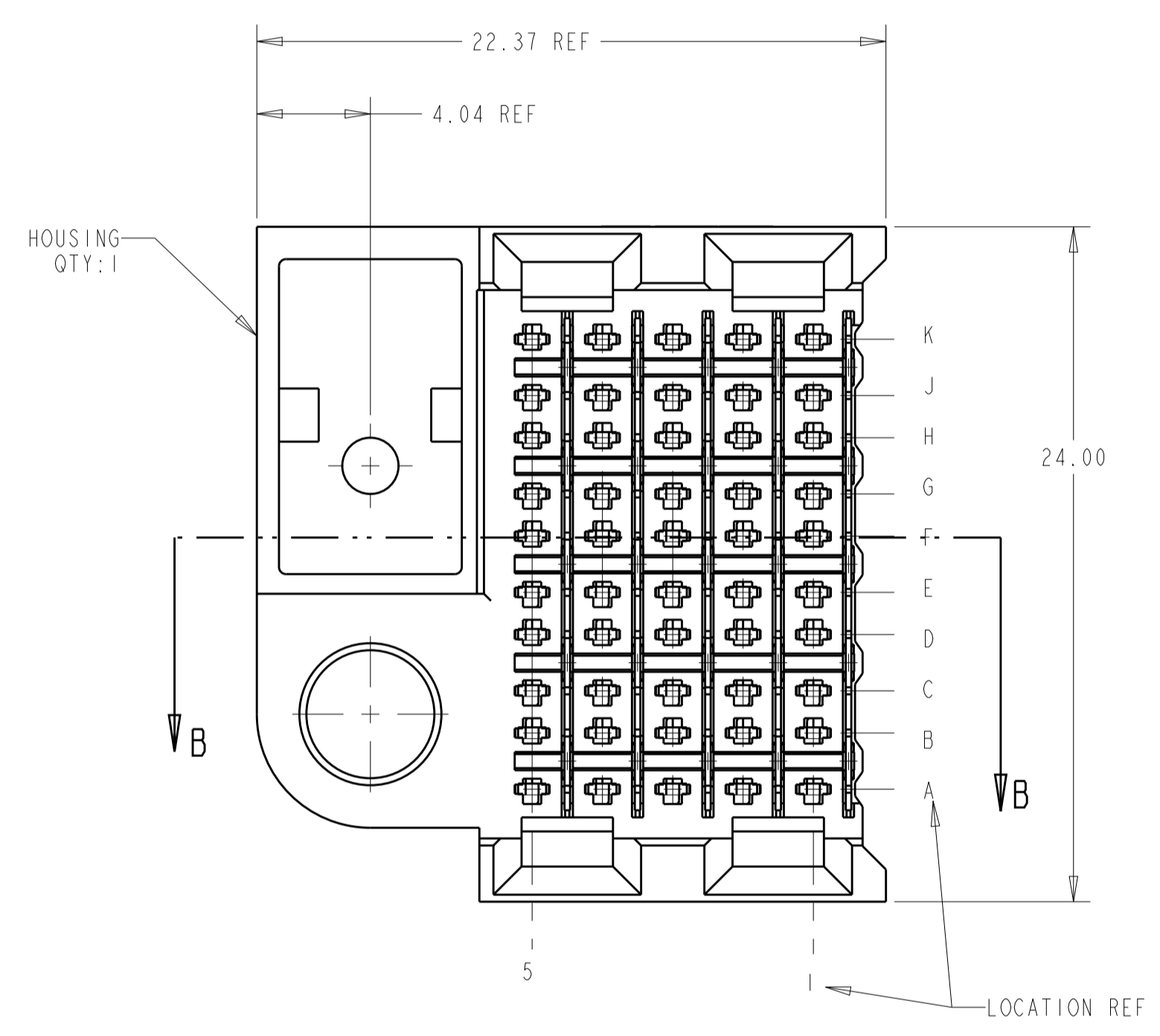


LOC	DIST	REV	DATE	BY	CHKD	APVD
AD	00	B	23AUG2012	KH	JE	

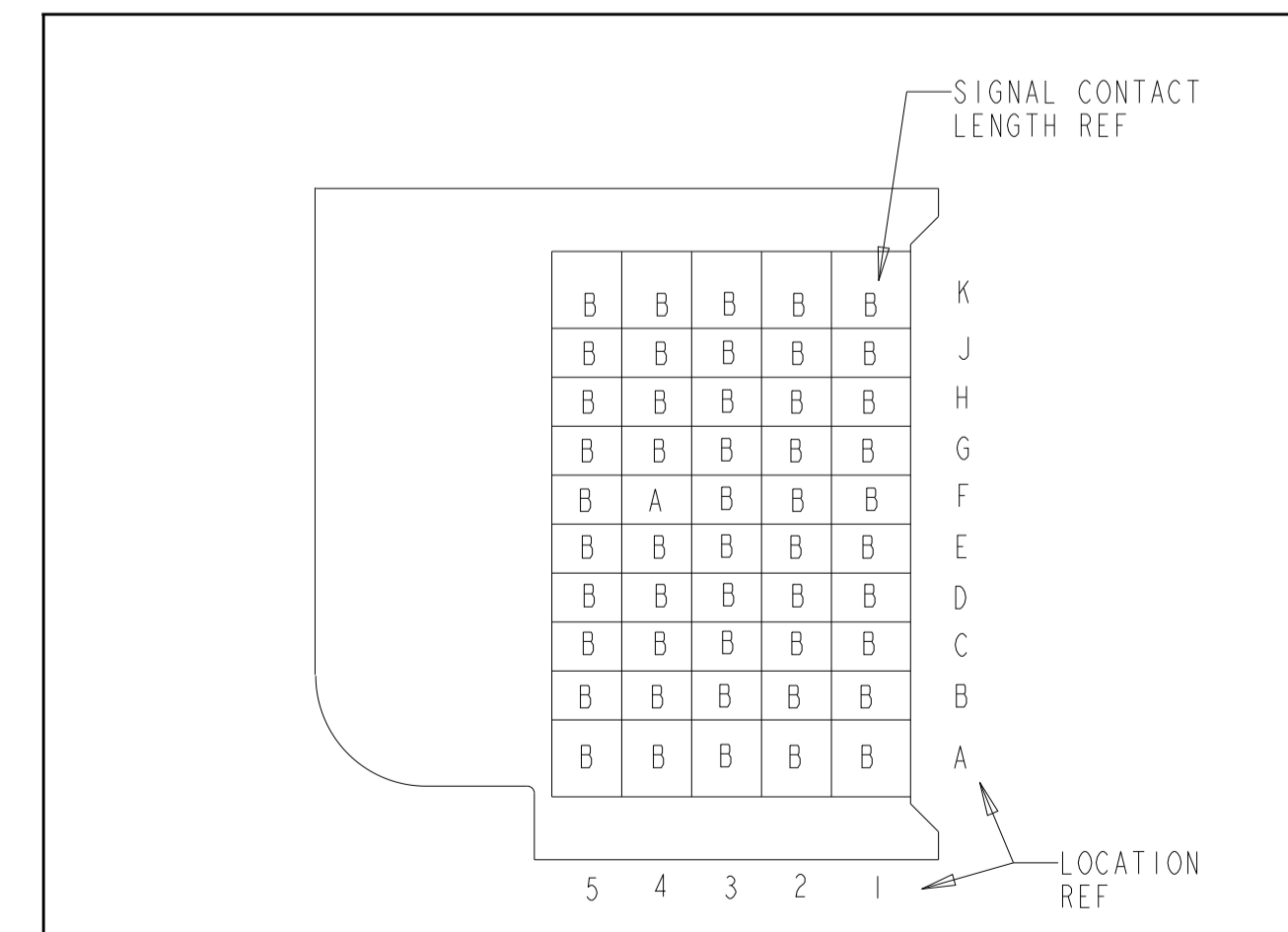
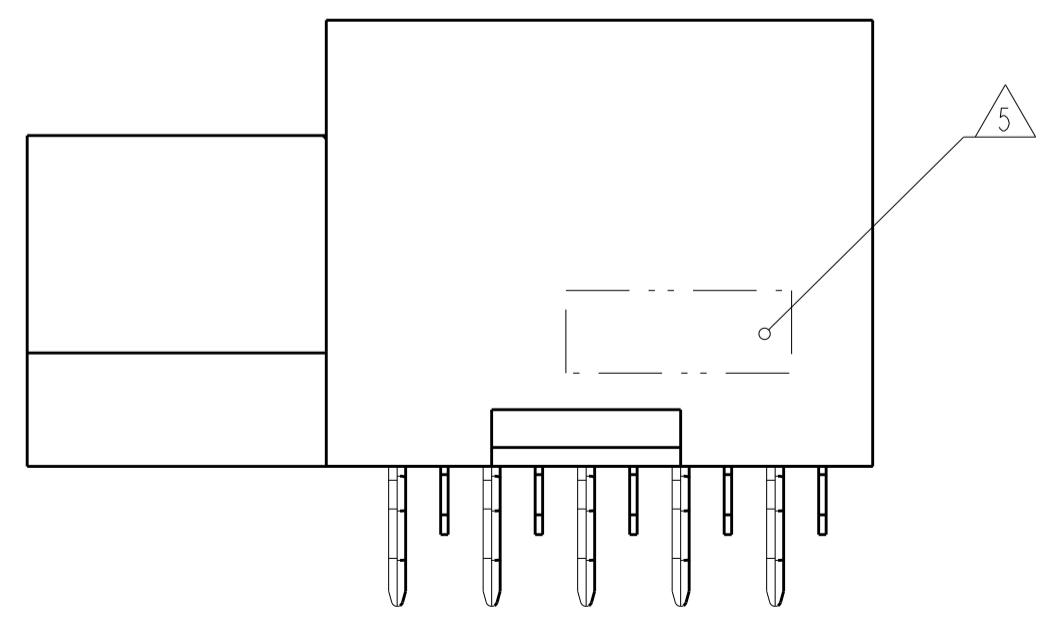
- 2 PHOSPHOR BRONZE
- 3 LCP, UL94V-0
- 4 FINISH:
CONTACT MATING AREA MEETS THE PERFORMANCE REQUIREMENTS OF
TE CONNECTIVITY PRODUCT SPECIFICATION 108-1957; BASED ON
TELCORDIA GR-1217-CORE; APPLICATIONS IN UNCONTROLLED ENVIRONMENTS.
COMPLIANT PIN AREA: 0.5µm MIN MATTE TIN OVER BASE PLATING.
- 5 CONNECTOR MARKED WITH PART NUMBER AND DATE CODE
- 6 REFERENCE APPLICATION SPEC 114-13020 FOR RECOMMENDED
PLATED THRU HOLE DIAMETER AND PLATING THICKNESS.
- 7 APPLICATION SEATING HEIGHT TO PRINTED CIRCUIT BOARD
- 8 DATUMS AND BASIC DIMENSIONS ESTABLISHED BY CUSTOMER
- 9 CONTACT AREA LUBRICATED WITH BELLCORE APPROVED LUBRICANT
TECHNICAL REFERENCE: GR-1217-CORE, ISSUE 1, NOVEMBER 1995



SECTION B-B



RECOMMENDED
PRINTED CIRCUIT BOARD
LAYOUT
COMPONENT SIDE OF PRINTED CIRCUIT BOARD



A = 8.2 REF SIGNAL CONTACT LENGTH
 B = 9.7 REF SIGNAL CONTACT LENGTH

SIGNAL CONTACT LOCATION REF

ROWS A-E: 1-5	ROW F: 4	5120755-1
PIN LOCATION	PIN LOCATION	PART NUMBER
SIGNAL CONTACT TYPE B QTY: 49	SIGNAL CONTACT TYPE A QTY: 1	

THIS DRAWING IS A CONTROLLED DOCUMENT.

DIMENSIONS: mm	TOLERANCES UNLESS OTHERWISE SPECIFIED:	OWN: B. CARBO	07DEC04
0 PLC ±	1 PLC ±	CHK: R. PATTERSON	07DEC04
2 PLC ±0.13	3 PLC ±0.05	APVD: R. PATTERSON	07DEC04
4 PLC ±	ANGLES ±	PRODUCT SPEC	
MATERIAL: 3	FINISH: 4	APPLICATION SPEC	
CONTACTS: 2	SIGNAL CONTACT: 4	WEIGHT	
CUSTOMER DRAWING		SCALE: 5:1	SHEET 1 OF 1

TE Connectivity
 NAME: HEADER ASSEMBLY, 50 POSITION, SEQUENCED, RIGHT HAND, 10 ROW, Z-PACK HS3
 SIZE: A1
 CAGE CODE: 00779
 DRAWING NO: 5120755
 RESTRICTED TO: -
 REV: B