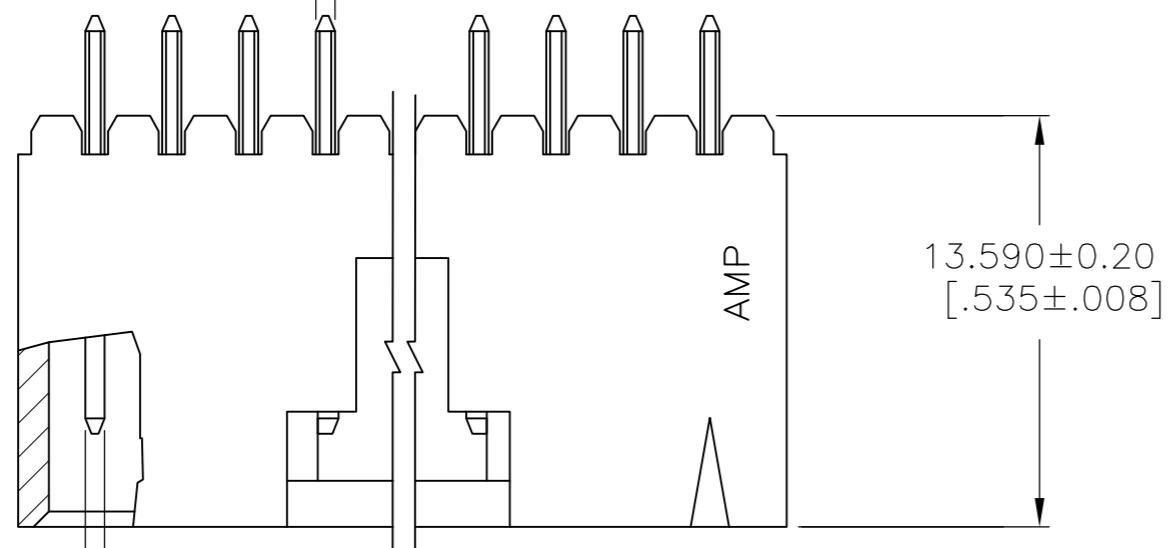


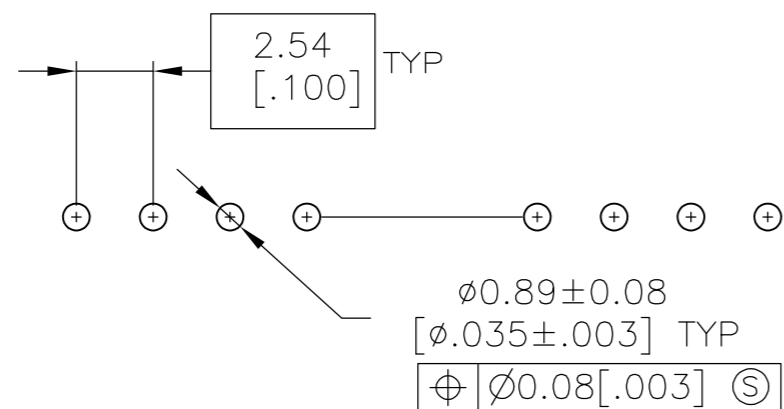
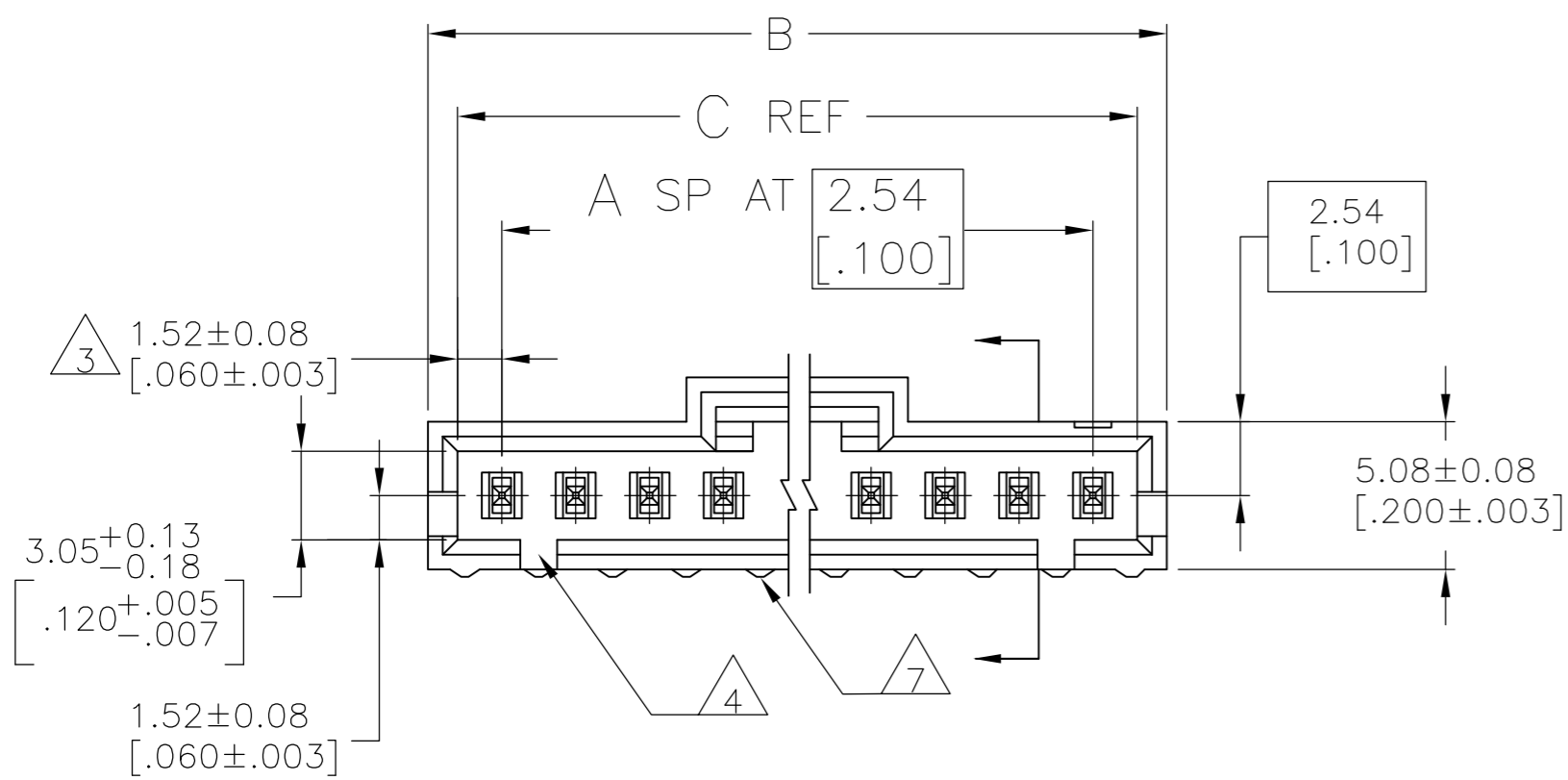
THIS DRAWING IS UNPUBLISHED. RELEASED FOR PUBLICATION  
 © COPYRIGHT - By - ALL RIGHTS RESERVED.

REVISIONS					
P	LTR	DESCRIPTION	DATE	DWN	APVD
H2		REVISED PER ECO-15-011941	21AUG2015	NK	MM

$\varnothing 0.38[.015]$  (M)  
TYP AT POST TIPS

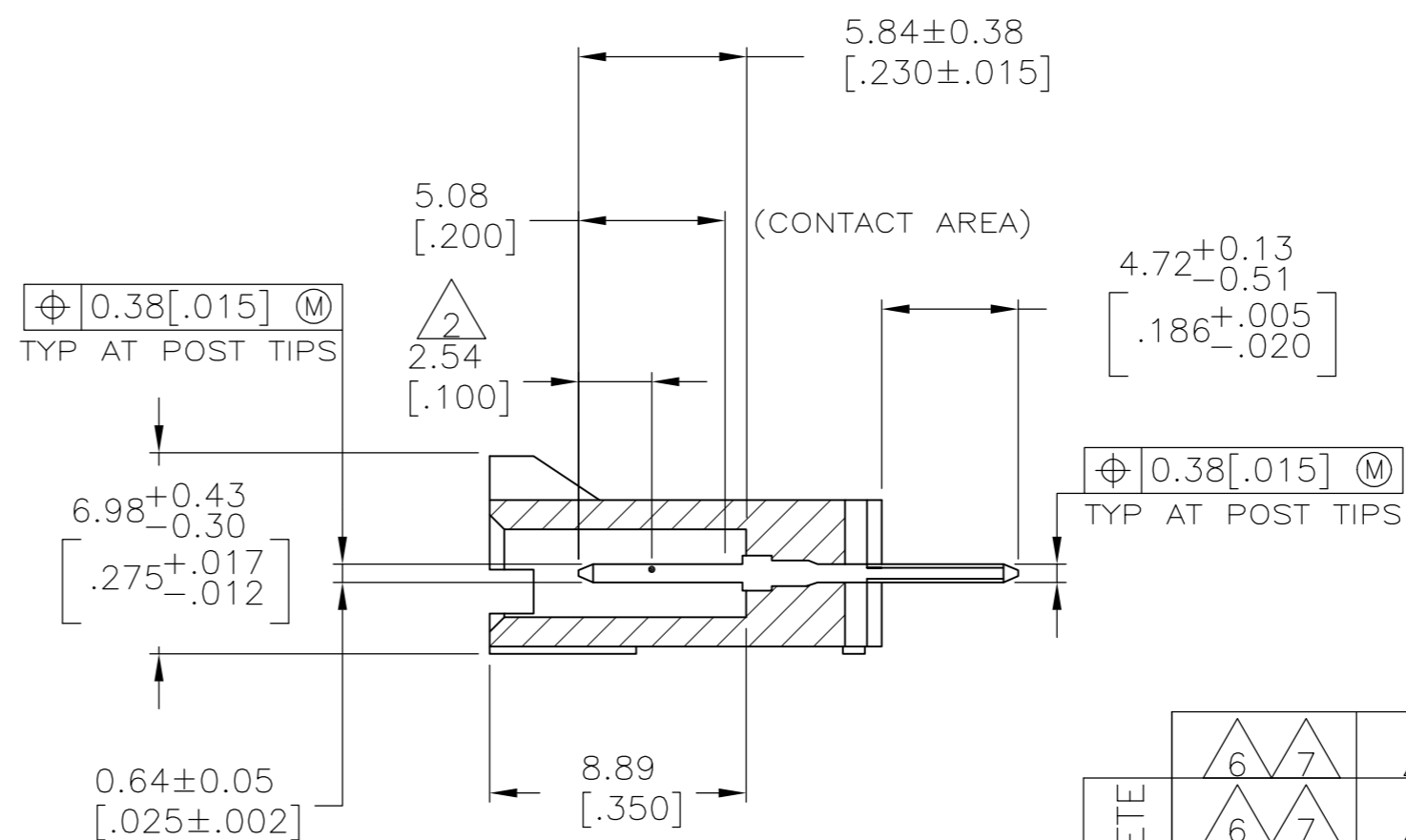


0.64±0.02 [0.025±.001]  
 $\varnothing 0.38[.015]$  (M)  
TYP AT POST TIPS



RECOMMENDED HOLE LAYOUT

- 1 .00254[.000100] BRIGHT TIN-LEAD OVER  
.00127[.000050] NICKEL.
- 2 POINT OF MEASUREMENT FOR PLATING THICKNESS.
- 3 THE NOTED DIMENSIONS APPLY AT THE INTERSECTION OF THE POST AND THE HOUSING.
- 4 ON ASSEMBLIES WITH FOUR OR MORE POSITIONS, TWO POLARIZATION SLOTS.  
ON ASSEMBLIES WITH TWO OR THREE POSITIONS, ONE POLARIZATION SLOT.
- 5 .00254[.000100] MATTE TIN OVER  
.00127[.000050] NICKEL.
- 6 HIGH TEMPERATURE CONFIGURATION.
- 7 STANDOFF NOT PRESENT ON UNDERSIDE OF ASSEMBLY
- 8 OBSOLETE PARTS: OBSOLETE CIS STREAMLINING PER D.RENAUD/D.SINISI



OBSOLETE	6 7		5		5	6	5-104904-4
	6	7	5	5			
OBSOLETE	6	7	5	5	10.67	12.70	3 4 -5-104904-3
	6	7	5	5	8.13	10.16	2 3 -5-104904-2
	6	7	5	5	5.59	7.62	1 2 -5-104904-1
	6	7	5	5	15.75	17.78	5 6 104904-4
OBSOLETE			1		10.67	12.70	3 4 104904-3
			1		8.13	10.16	2 3 104904-2
			1		5.59	7.62	1 2 104904-1
			1		15.75	17.78	5 6 104904-4
REMARKS	PLATING	C	B	A	NO. OF POSN	PART NO.	

THIS DRAWING IS A CONTROLLED DOCUMENT.

DWN	J.HERRINGTON	12-10-93
CHK	J.GESFORD	12-10-93
APVD	J.GESFORD	12-10-93
PRODUCT SPEC	108-25034	
APPLICATION SPEC	114-25026	
WEIGHT	-	

**STE** TE Connectivity

HDR ASSY, VERT, SINGLE ROW  
2.54[.100]CL, 0.64[.025] SQ POST,  
WITH PLZN & LATCHING, AMPMODU MTE

SIZE	A2	CAGE CODE	00779	DRAWING NO	C=104904	RESTRICTED TO	-
SCALE	4:1	SHEET	1 OF 1	REV	H2		

CUSTOMER DRAWING