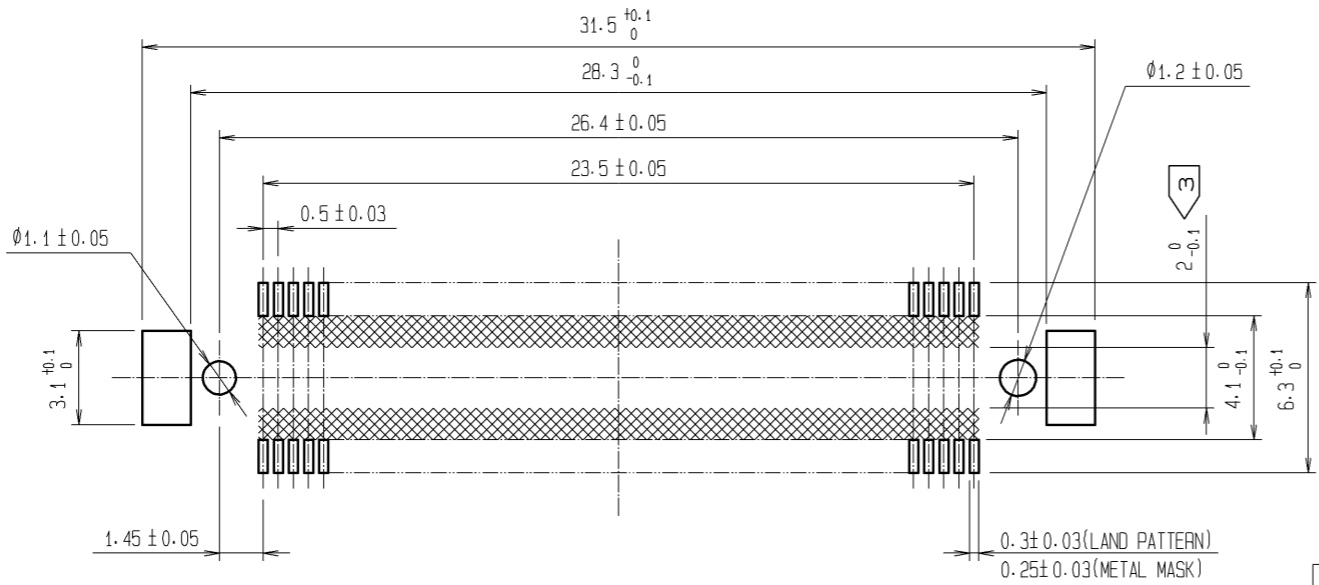


RECOMMENDED LAND PATTERN DIMENSION OF PCB
(RECOMMENDED METAL MASK THICKNESS: 0.15mm)

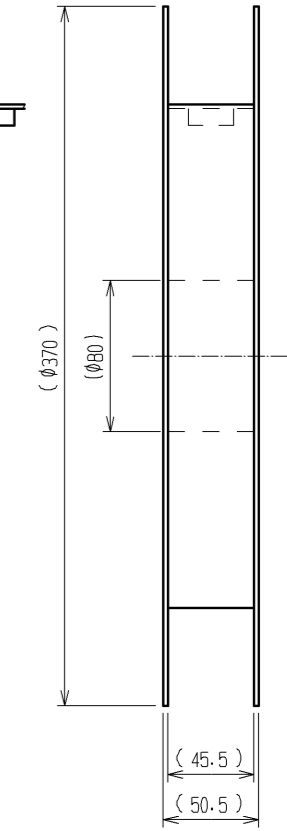
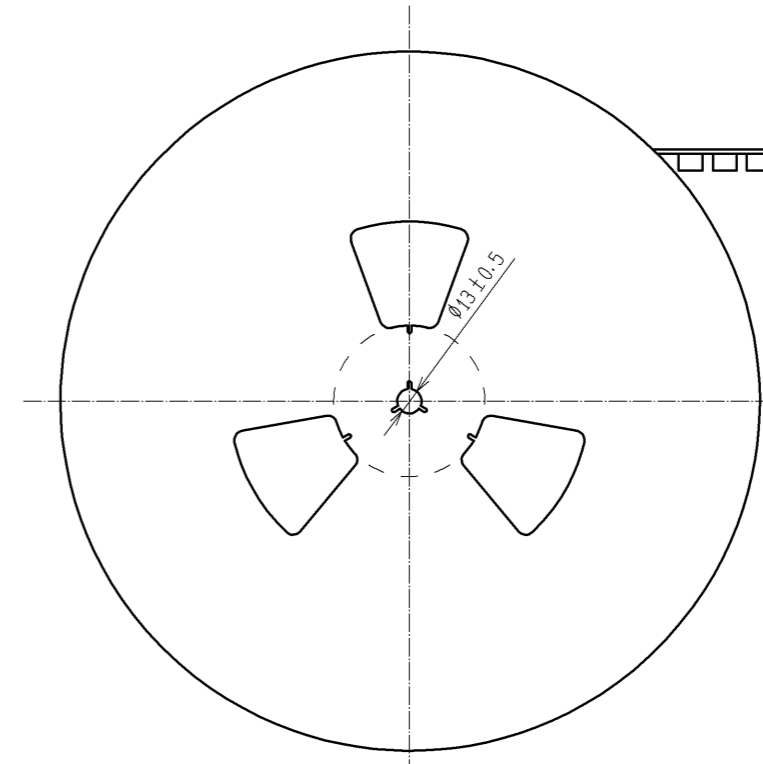
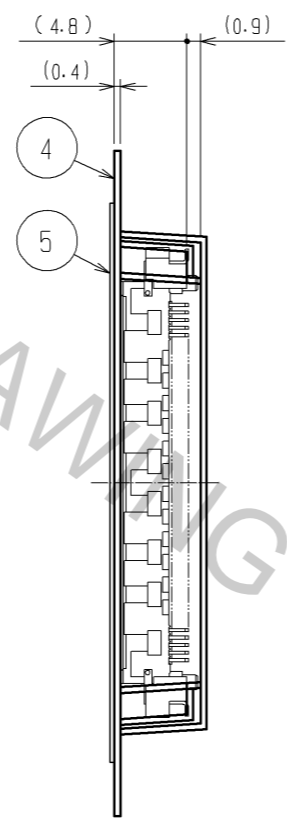
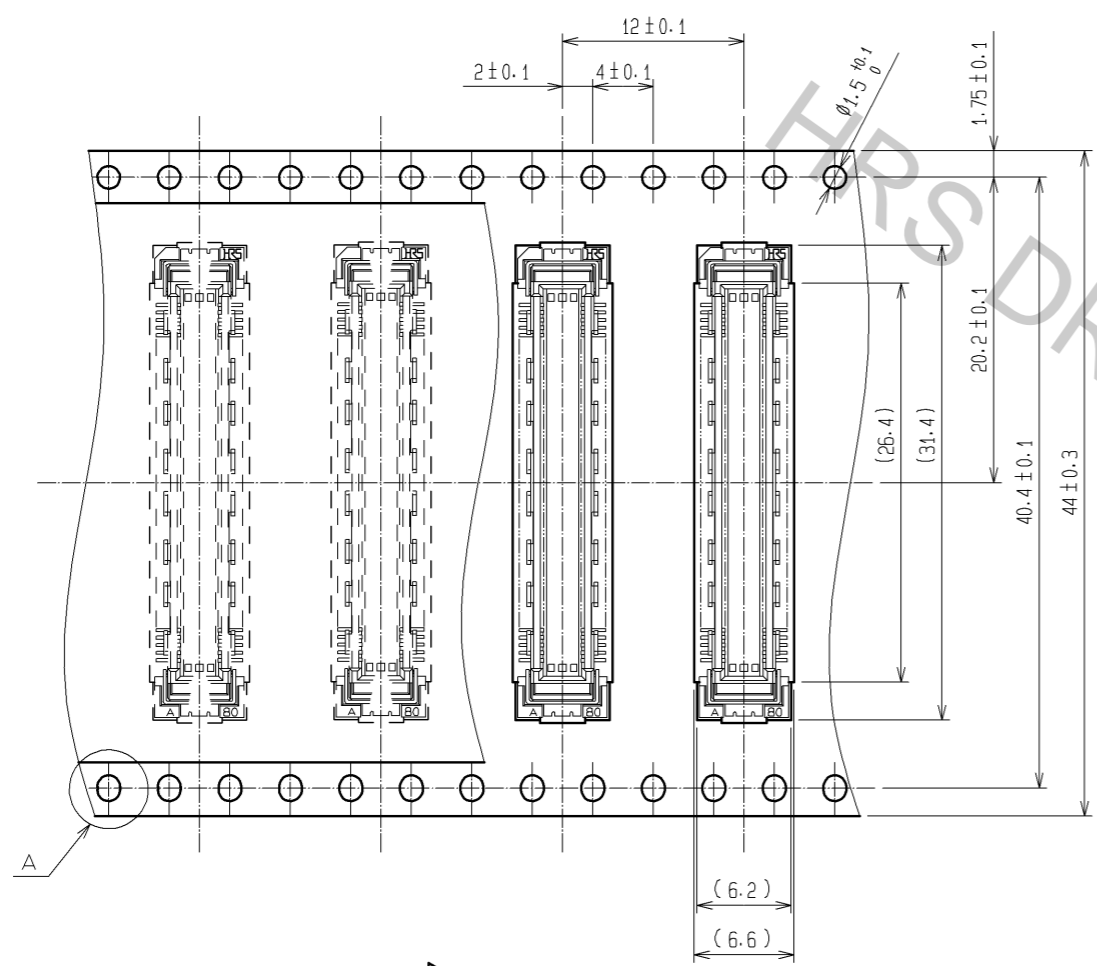


- NOTES
- 1 SMT LEAD-COPLANARITY: 0.1 MAX.
 - 2 THIS PRODUCT HAS NO POLARITY TO PATTERN FOR MOUNTING.
 - ③ MAKE SURE WIDTH OF PATTERN IS WITHIN THAT OF LAND, OR LEAD MAY TOUCH PATTERN. (THIS APPLIES TO HATCHED AREA.)
 - 4 EMBOSS CARRIER TAPE PACKAGE IS APPLIED ON THIS PRODUCT. PLEASE REFER TO THE SHEET 2/2 FOR THE DETAILS.
 - 5 THE DIMENSIONS IN PARENTHESES ARE FOR REFERENCE.

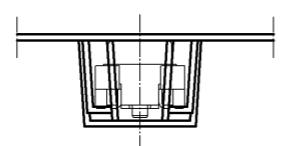
3	PHOSPHOR BRONZE	TIN-PLATING						
2	PHOSPHOR BRONZE	CONTACT AREA: GOLD 0.1µm min. LEAD AREA: TIN-PLATING 1µm min. UNDER PLATING: NICKEL 1µm min.	5	POLYESTER	TOP COVER TAPE			
1	LCP	BEIGE UL94V-0	4	POLYSTYRENE	EMBOSSED CARRIER TAPE			
NO.	MATERIAL	FINISH	REMARKS	NO.	MATERIAL	FINISH	REMARKS	
UNITS	mm	SCALE	4:1	COUNT	DESCRIPTION OF REVISIONS	DESIGNED	CHECKED	DATE
		APPROVED: HT. YAMAGUCHI 10.07.29 CHECKED: HT. YAMAGUCHI 10.07.29 DESIGNED: SY. KAMIGA 10.07.29 DRAWN: HK. SUNADORI 10.07.28		DRAWING NO. EDC3-151968-21 PART NO. FX10A-96P-SV1(91) CODE NO. CL570-0141-4-91		1/2		

DRAWING FOR PACKING(2:1)

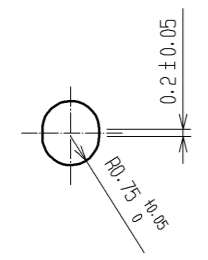
REELED DIMENSION(Free)



THE DIRECTION OF PULLING OUT →



A(5:1)



- NOTES 1 1 REEL : 1000 CONNECTORS.
 2 MINIMUM 10 COMPARTMENTS FROM BOTH REEL ENDS REMAIN EMPTY.
 3 THIS PRODUCT HAS NO POLARITY TO TAPE AND REEL PACKAGING.
 4 THE DIMENSIONS IN PARENTHESES ARE FOR REFERENCE.

HRS	DRAWING NO.	EDC3-151968-21	△ 2/2
	PART NO.	FX10A-96P-SV1(91)	
	CODE NO.	CL570-0141-4-91	