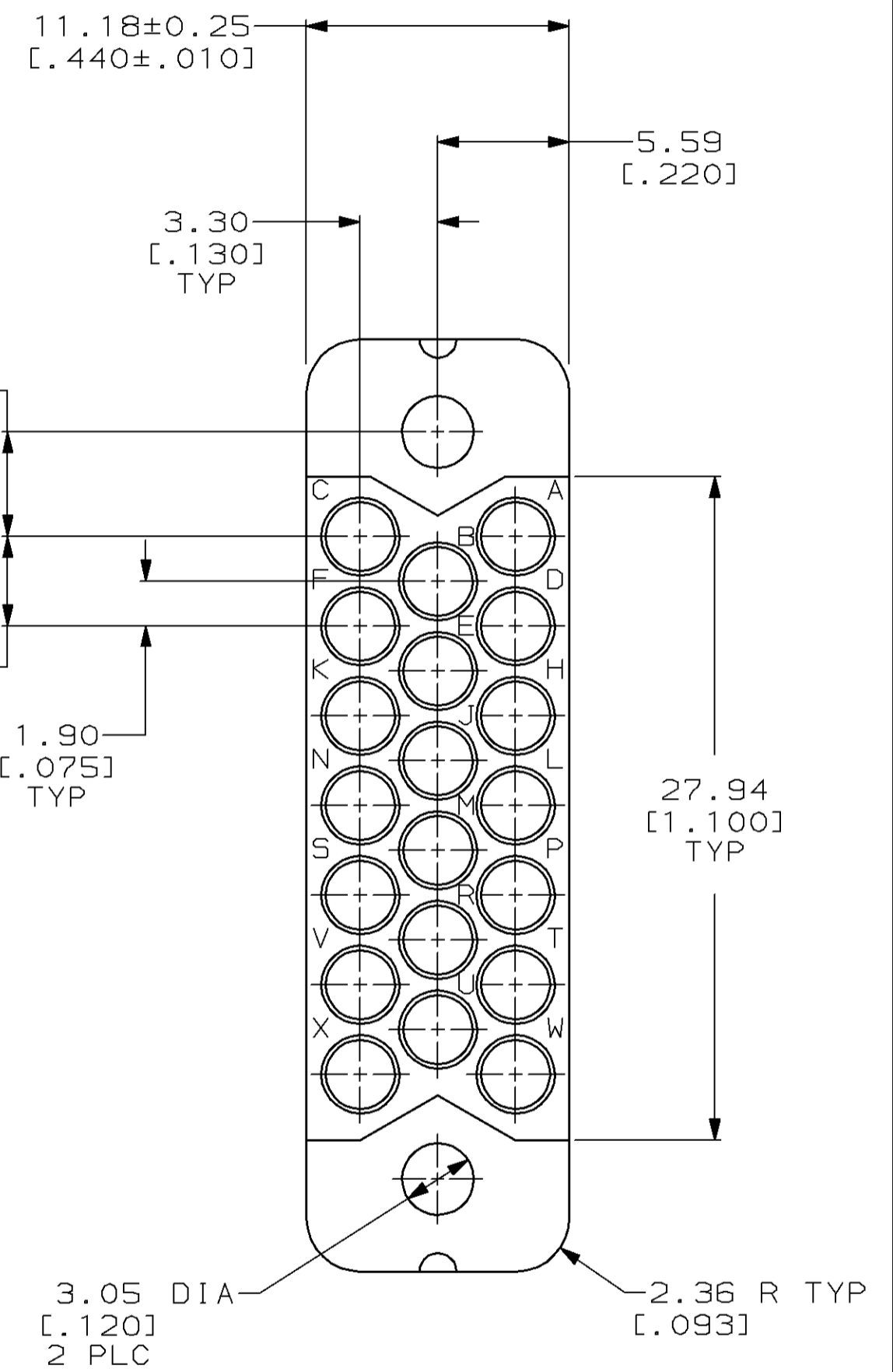
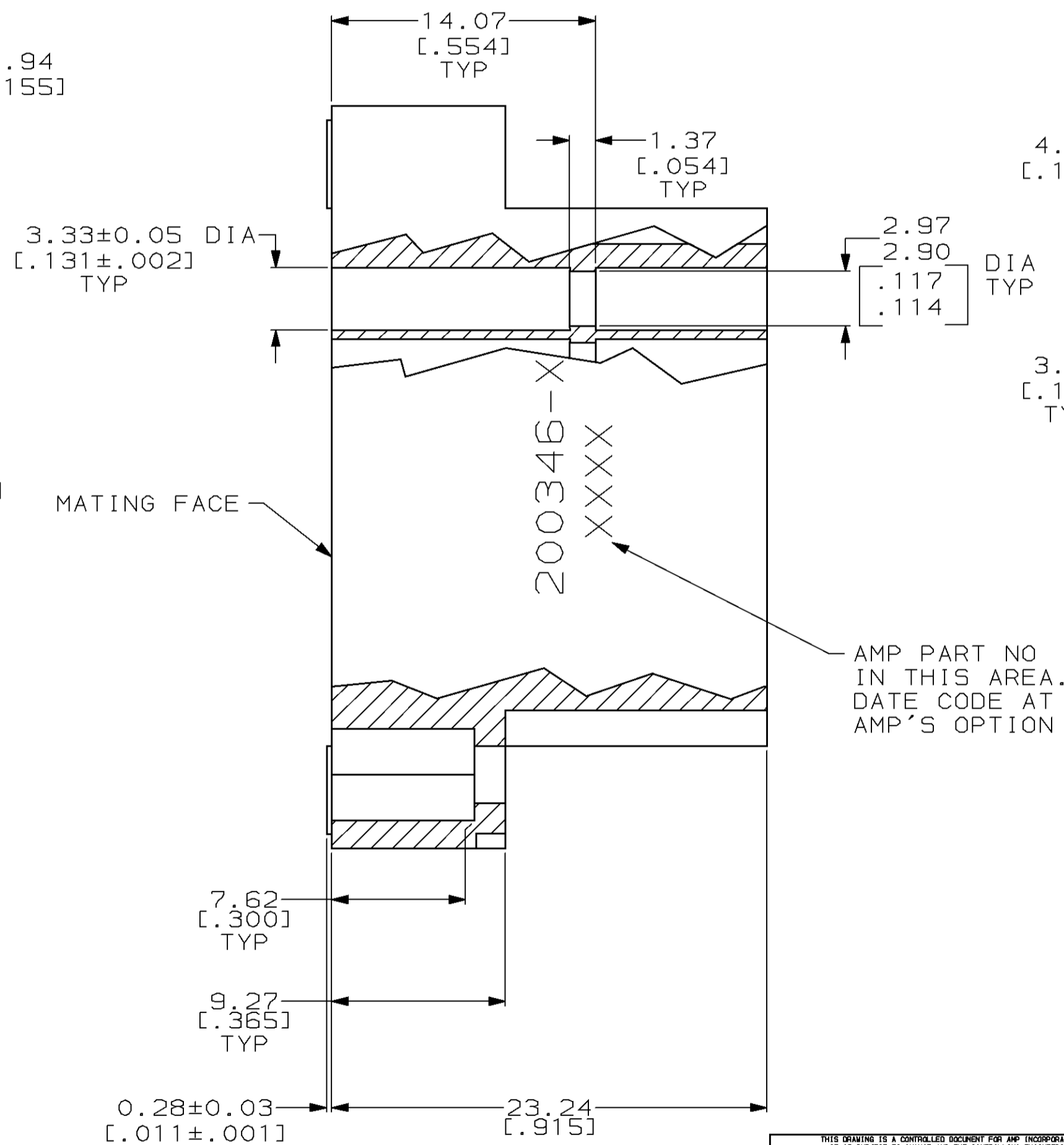
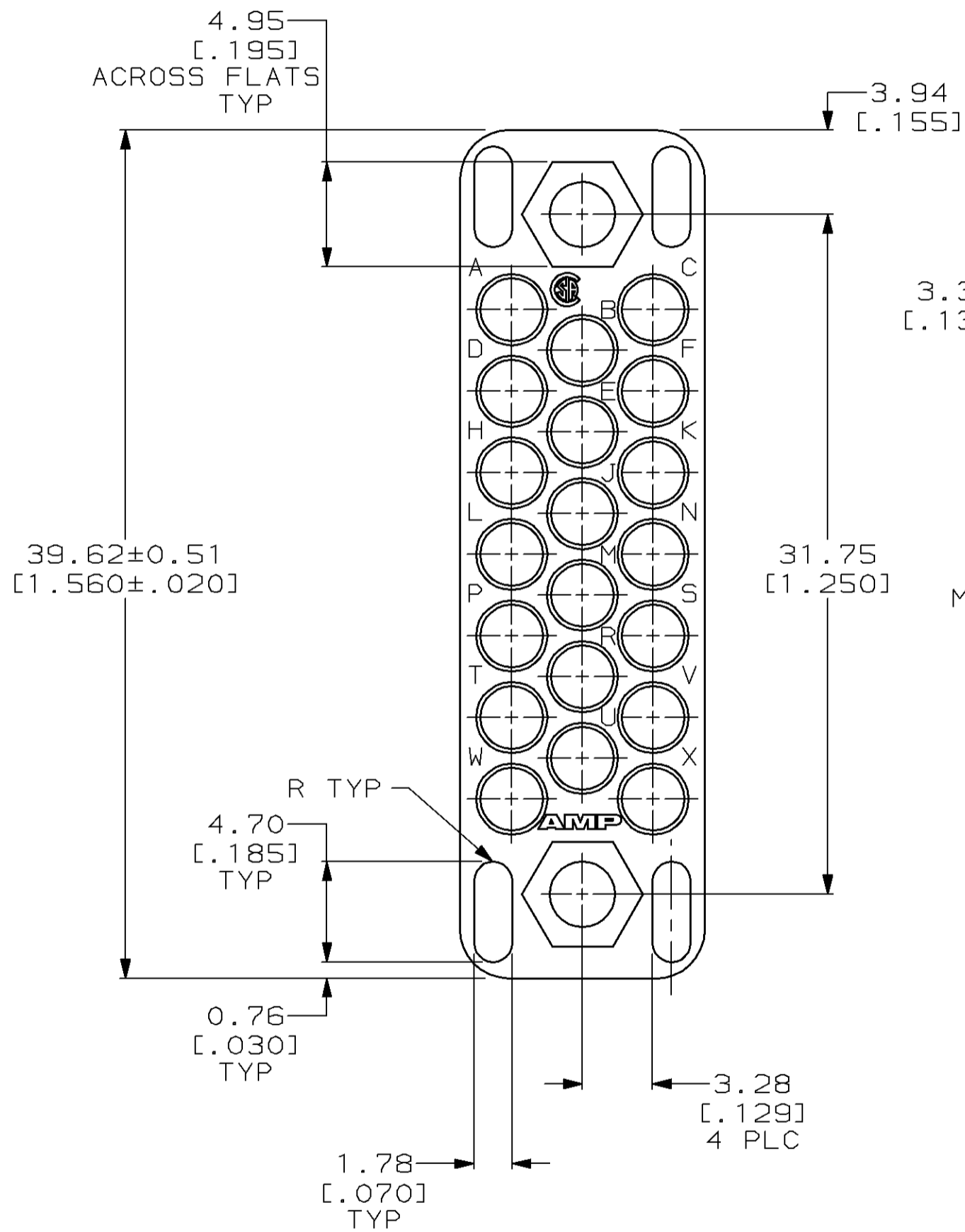
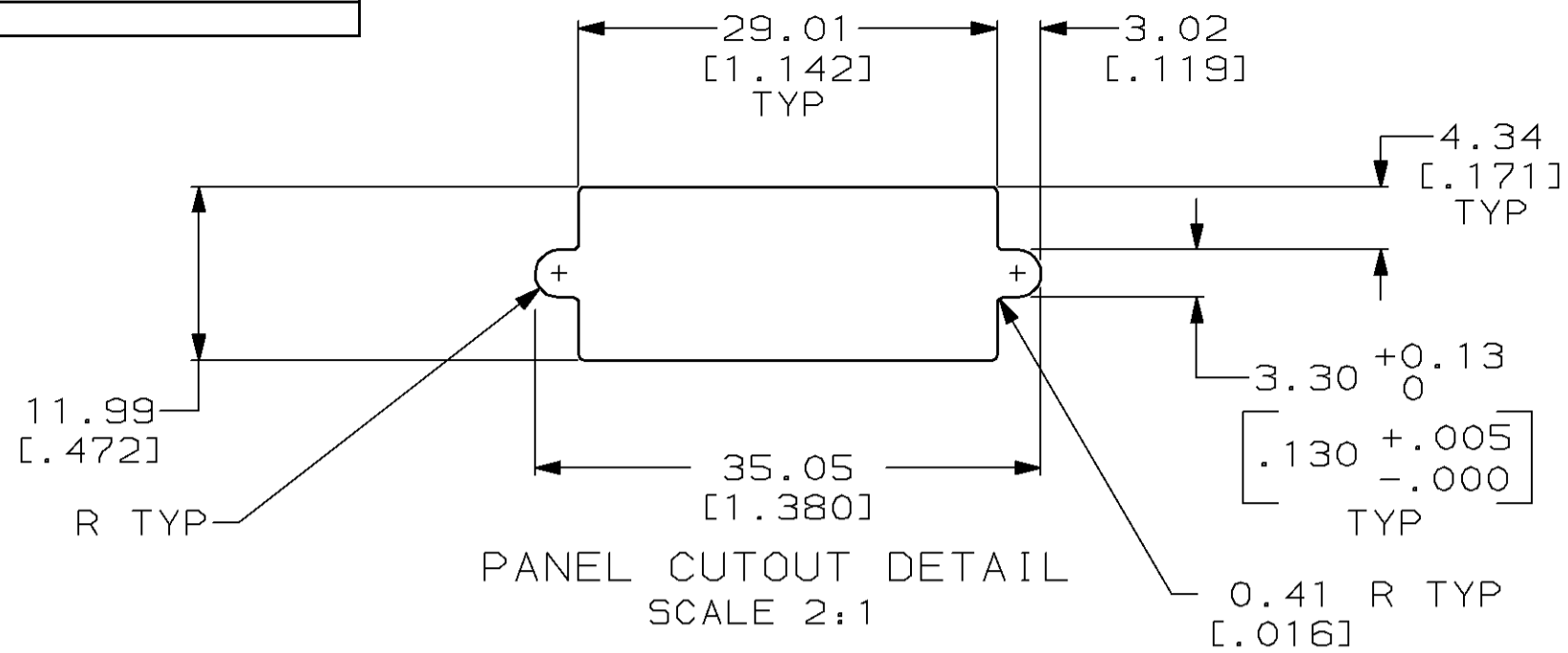


THIS DRAWING IS UNPUBLISHED. RELEASED FOR PUBLICATION  
 © COPYRIGHT 19 BY AMP INCORPORATED. ALL RIGHTS RESERVED.

REVISIONS					
P	LTR	DESCRIPTION	DATE	DWN	APVD
V		REDRAWN W/O CHANGE PER EC 0020-1300-96	06 DEC 95	-	-
W		REV PER EC 0320-82-97	13 AUG 97	BC	GS



- 1 PHENOLIC PER MIL-M-14, TYPE CFG, BLACK.
- 2 DIALLYL PHTHALATE PER MIL-M-14, TYPE SDG-F, BLUE.
- 3. WHEN MATING WITH BLOCK 201356, ACCOMODATES TYPE II, TYPE III+ OR TYPE VI #16 PIN OR SOCKET CONTACTS.

2	200346-4
1	200346-2
MATERIAL	PART NUMBER

THIS DRAWING IS A CONTROLLED DOCUMENT FOR AMP INCORPORATED. IT IS SUBJECT TO CHANGE AND THE CONTROLLING ENGINEERING ORGANIZATION SHOULD BE CONTACTED FOR THE LATEST REVISION.		DWN C. REIFSNYDER 06 DEC 95	AMP Incorporated Harrisburg, PA 17105-3608	
DIMENSIONS: mm [INCHES]		CHK R. STONE 27 FEB 96	NAME BLOCK, FEMALE, 20 PLACE MINIATURE RECTANGULAR, M SERIES	
TOLERANCES UNLESS OTHERWISE SPECIFIED:		APVD G. A. STEINHAUER 13 MAR 96	SIZE A2	
0 PLC ±-		PRODUCT SPEC	CAGE CODE 00779	
1 PLC ±-		APPLICATION SPEC	DRAWING NO C-200346	
2 PLC ±0.13 [.005]		WEIGHT	SCALE 4:1	
3 PLC ±-		CUSTOMER DRAWING	SHEET 1 OF 1	
4 PLC ±-			REV W	
ANGLES ±-				
FINISH -				