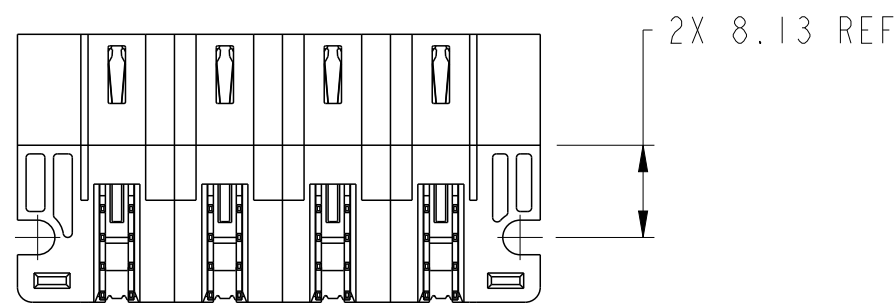
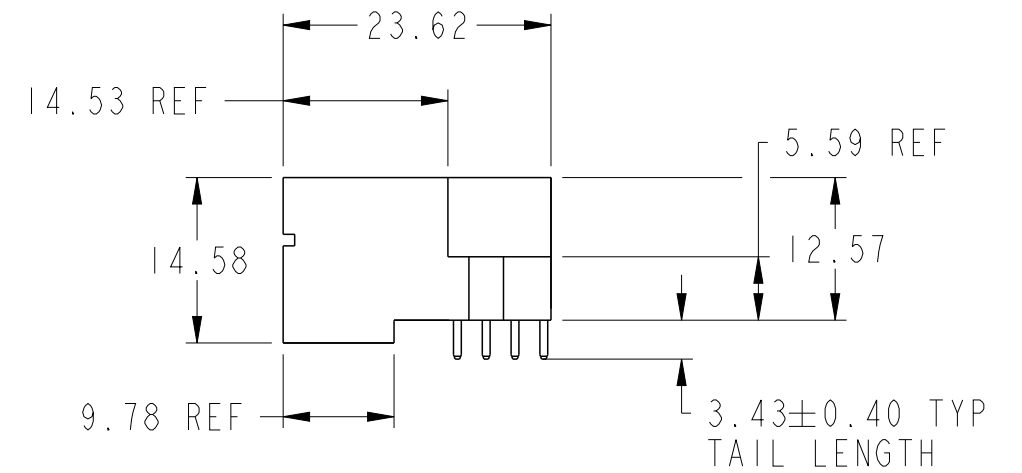
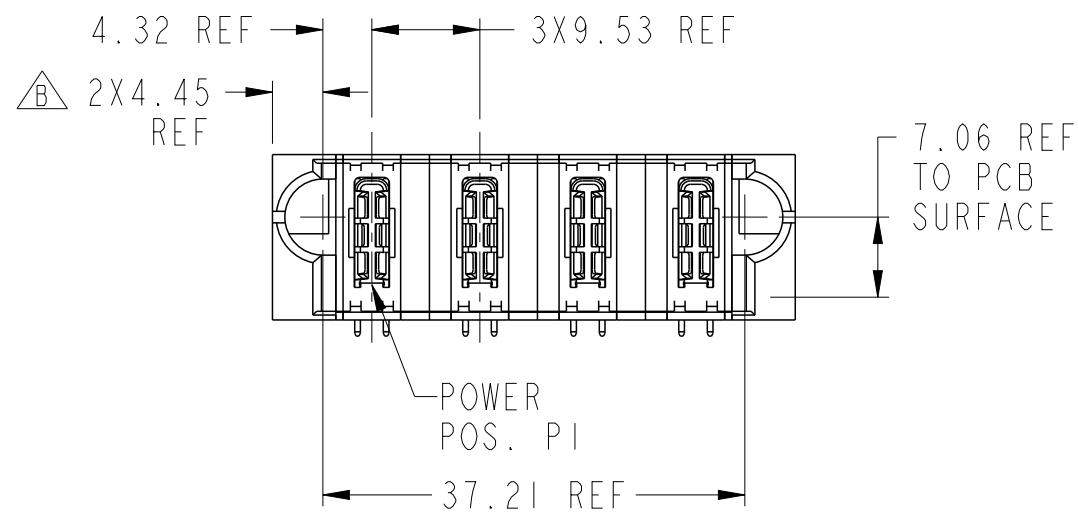
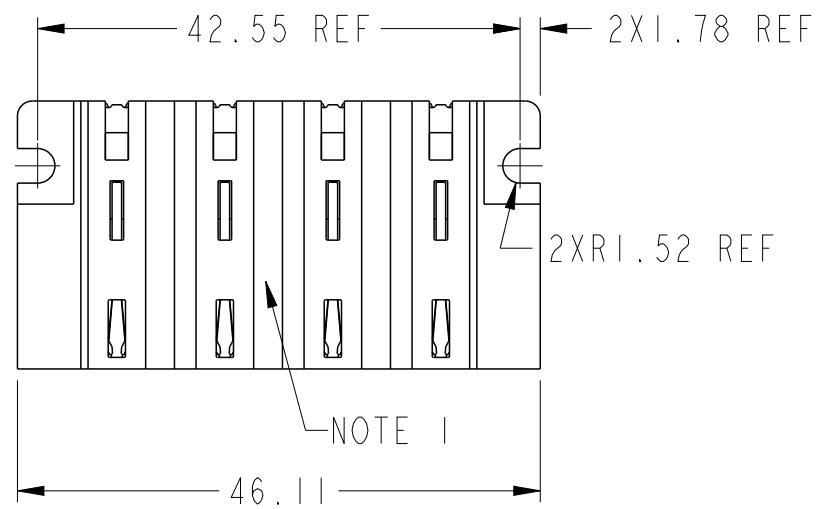


PRODUCT NUMBER SEE SHEET 2

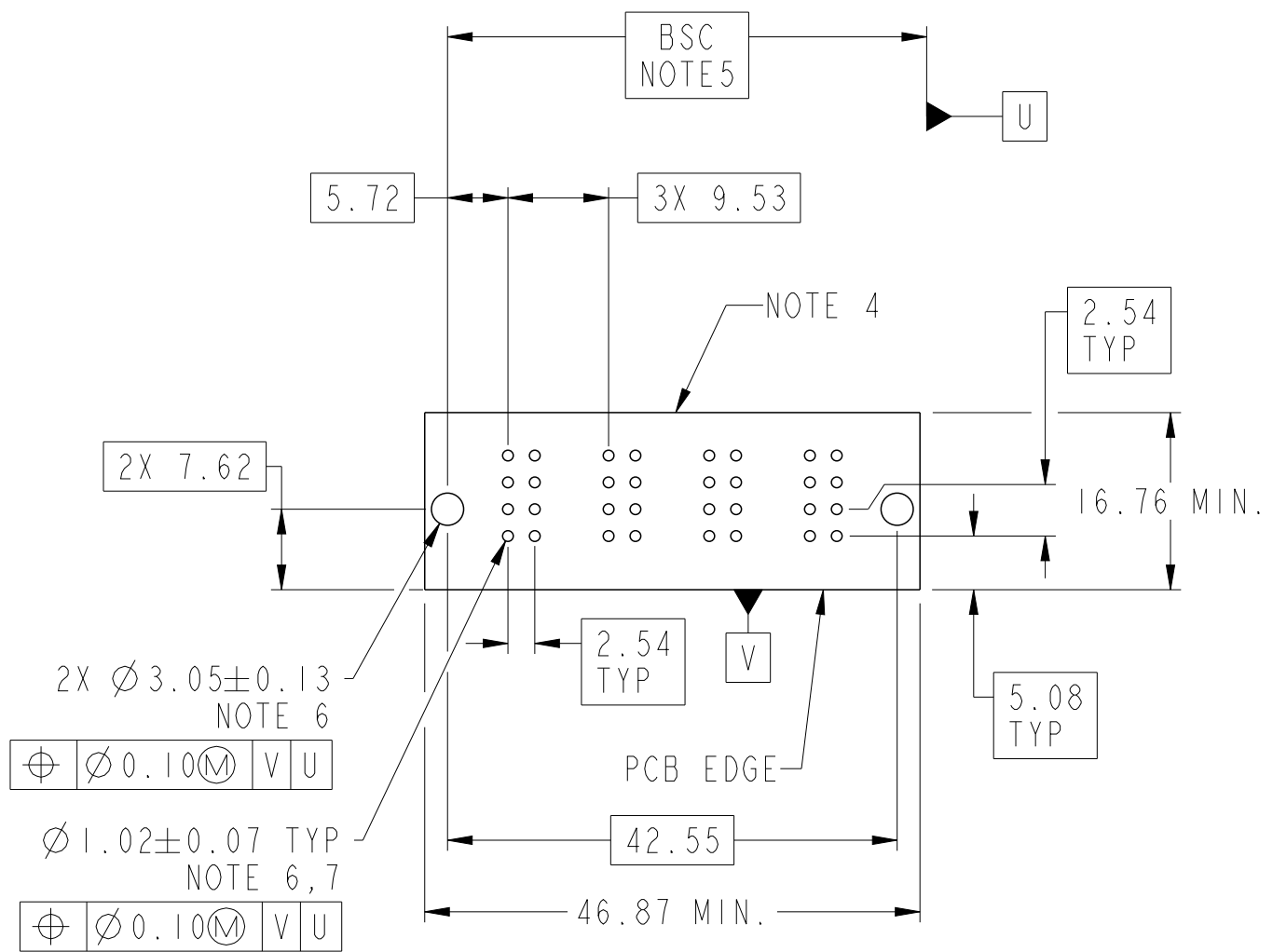


spec ref	*	dr	Peng-Bing Fu	2012/04/25	projection	MM	size	A3	scale	3:2												
tolerance std	ASME Y14.5	eng	Peng-Bing Fu	2012/11/14			ecn no	ELX-DG-013143-1	rel level	Released												
TOLERANCES UNLESS OTHERWISE SPECIFIED		chr	Shao-Qi Kuang	2012/11/15																		
surface	<table border="1"> <tr> <td>linear</td> <td>0.X</td> <td>±0.5</td> </tr> <tr> <td></td> <td>0.XX</td> <td>±0.25</td> </tr> <tr> <td></td> <td>0.XXX</td> <td>±0.10</td> </tr> <tr> <td>angular</td> <td>0°</td> <td>±2°</td> </tr> </table>	linear	0.X	±0.5		0.XX	±0.25		0.XXX	±0.10	angular	0°	±2°	appr	Pei-Ming Zheng	2012/11/15	product family	PwrBlade+	dwg no	10106262-4000001	rev	B
linear	0.X	±0.5																				
	0.XX	±0.25																				
	0.XXX	±0.10																				
angular	0°	±2°																				
www.fci.com		cat. no.		Product - Customer Drw			sheet 1 of 3															



Copyright FCI.

PRODUCT NO.	ROWS	HIGH POWER					E2
		E1	P1	P2	P3	P4	
10106262-4000001LF	DCBA	H1	H1	H1	H1		



2X Ø 3.05 ± 0.13  
NOTE 6

⊕	Ø 0.10	Ⓜ	V	U
---	--------	---	---	---

Ø 1.02 ± 0.07 TYP  
NOTE 6, 7

⊕	Ø 0.10	Ⓜ	V	U
---	--------	---	---	---

Copyright FCI.

dr	Peng-Bing Fu	2012/04/25	projection	MM	size	A3	scale	3:2
eng	Peng-Bing Fu	2012/11/14			ecn no		ELX-DG-013143-1	
chr	Shao-Qi Kuang	2012/11/15			product family		PwrBlade+	rel level
appr	Pei-Ming Zheng	2012/11/15					Released	

CODE	DESCRIPTION
HI	STD HIGH POWER CONTACT (3.43)

	title	4ACP	dwg no	10106262-4000001	rev	B
	www.fci.com	cat. no.	Product - Customer Drw		sheet 2 of 3	

NOTES:

- 1) "FCI", PART NUMBER AND DATE CODE TO BE MARKED ON THIS SURFACE.  
THE P/N CAN BE OMITTED IF THERE IS NOT ENOUGH SPACE ON THIS SURFACE.
- 2) MATERIALS:  
-HOUSING - GLASS FILLED WITH HIGH TEMP THERMOPLASTIC, UL94V-0.  
-SIGNAL CONTACT - COPPER ALLOY.  
-POWER CONTACT - HIGH CONDUCTIVITY COPPER ALLOY.
- 3) PLATING SPECIFICATION REFER TO FCI 10116351
- 4) DENOTES CONNECTOR KEEP OUT ZONE.
- 5) DATUM AND BASIC DIMENSIONS WERE ESTABLISHED BY CUSTOMER.
- 6) ALL HOLE DIAMETERS ARE FINISHED HOLE SIZES.
- 7)  $1.15 \pm 0.025$ MM DRILLED HOLE PLATED WITH 0.00762MM MIN Sn  
OVER 0.0254-0.0762MM Cu PLATING TO ACHIEVE A  $1.02 \pm 0.07$ MM HOLE.
- 8) PRODUCT SPECIFICATION REFER TO FCI GS-12-658.  
APPLICATION SPECIFICATION REFER TO FCI GS-20-141.  
PRODUCT PACKAGED IN TRAYS, REFER TO FCI GS-14-1502.
- $\triangle B$  9) A  $\triangle B$  SYMBOL WILL BE NEXT TO ANY DIMENSION, VIEW, OR NOTE WHICH HAS BEEN MODIFIED WITH THE CURRENT DRAWING REVISION.



Copyright FCI.

dr	Peng-Bing Fu	2012/04/25	projection 	MM 	size	A3	scale	3:2	
eng	Peng-Bing Fu	2012/11/14			ecn no	ELX-DG-013143-1			
chr	Shao-Qi Kuang	2012/11/15			product family	PwrBlade+	rel level	Released	
appr	Pei-Ming Zheng	2012/11/15							
		title 4ACP RA STB HEADER	cat. no. www.fci.com	product - Customer Drw	sheet 3 of 3	rev B	10106262-4000001		