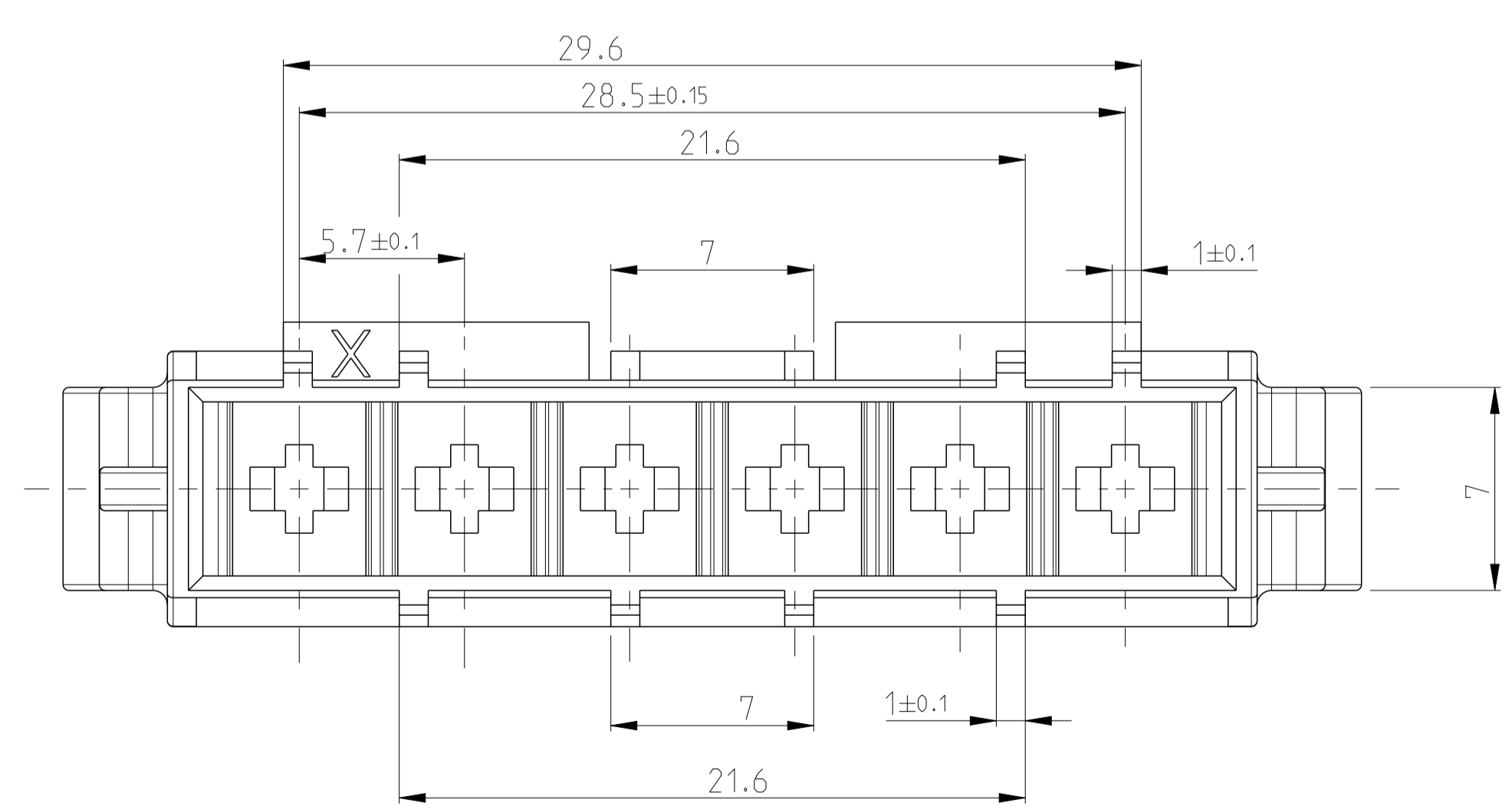
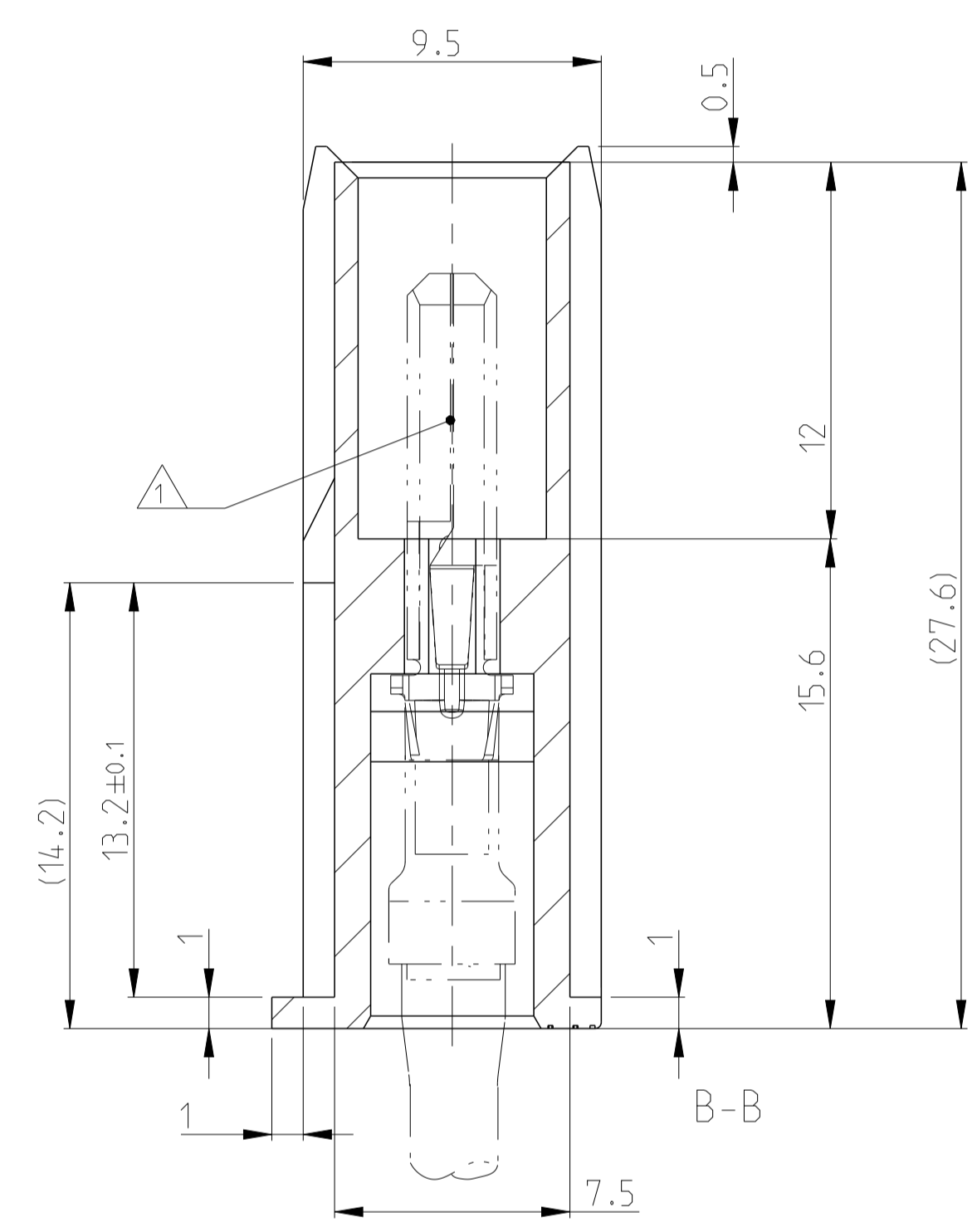
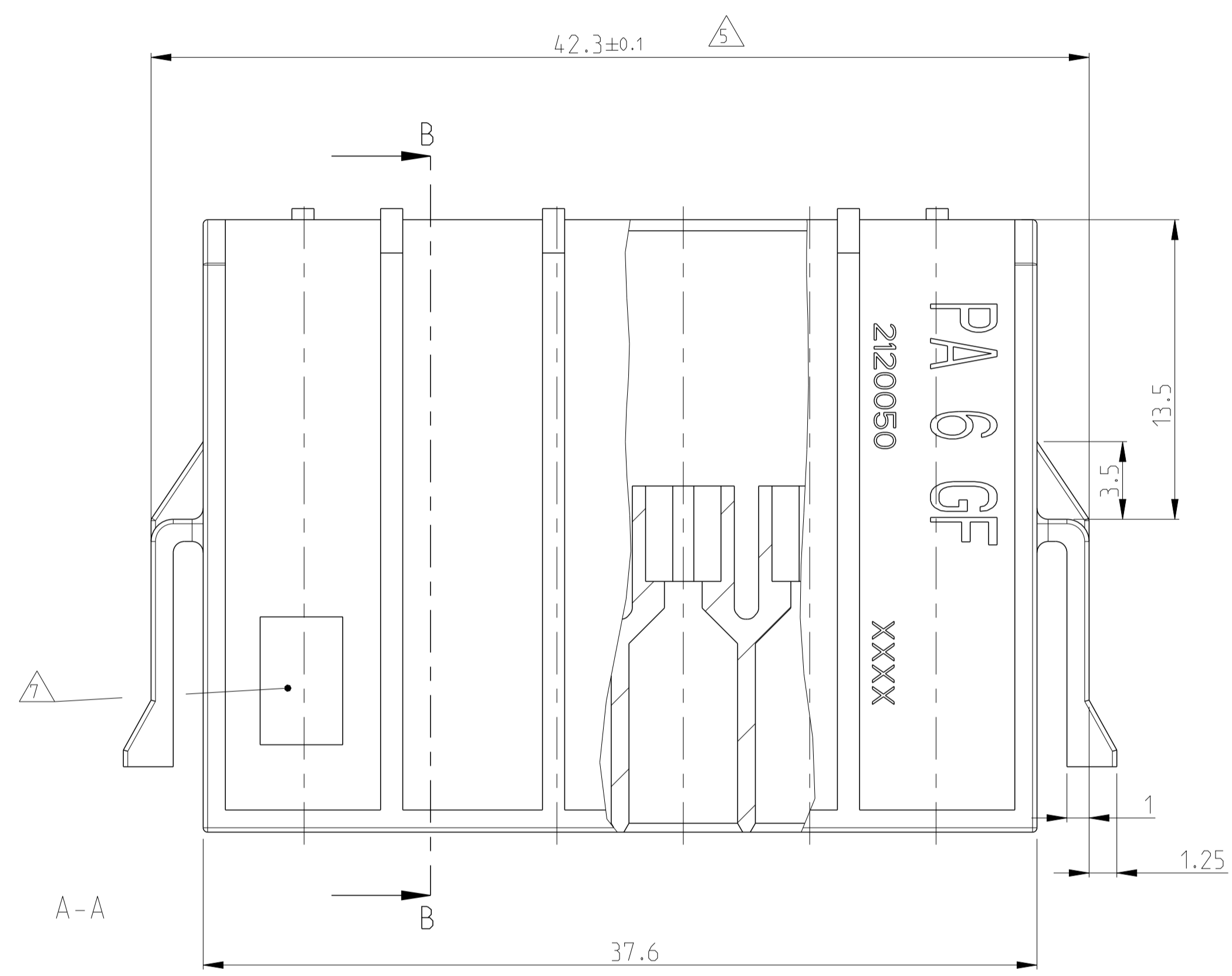
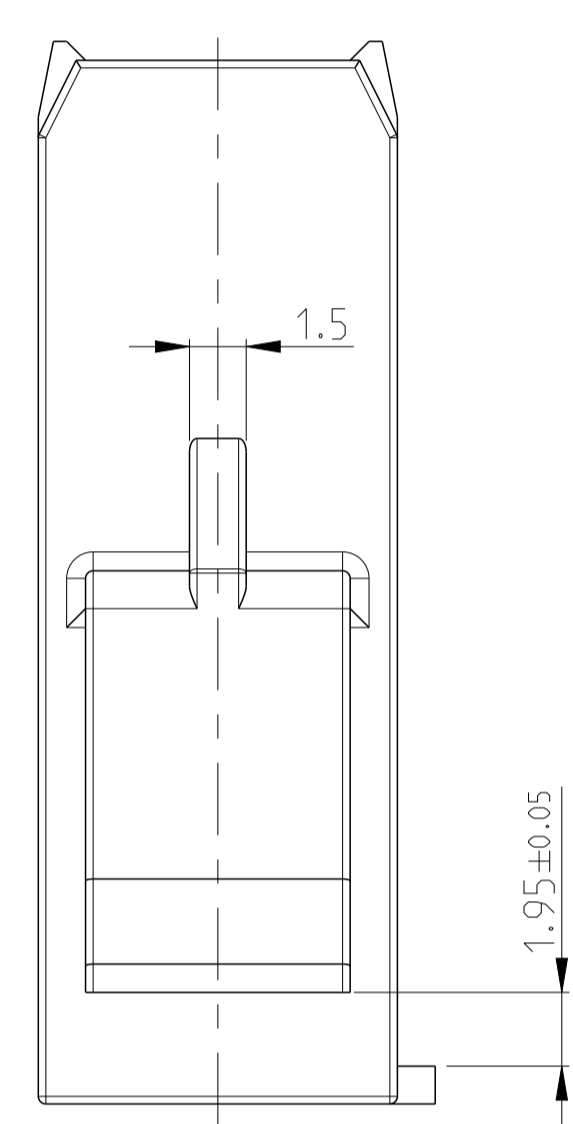
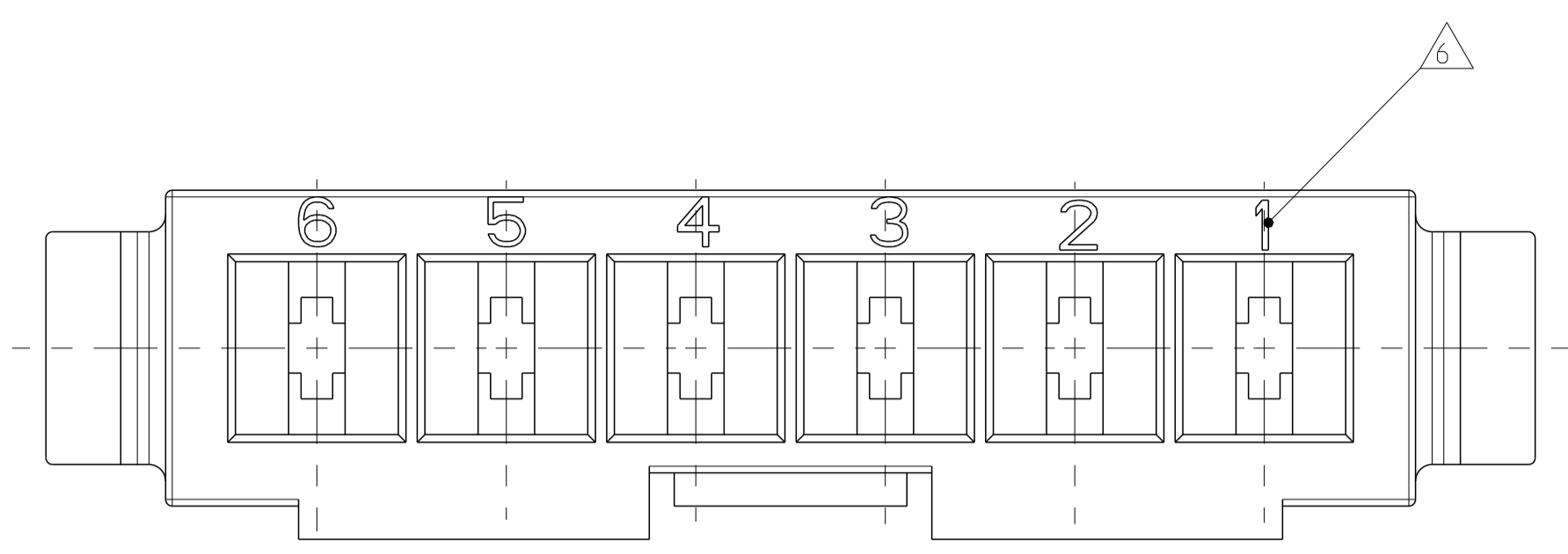


LOC		DIST		REVISIONS			
A1		-		DESCRIPTION	DATE	DMN	APVD
B3	-	NO. OF PRODUCT SPEC. AND WEIGHT ADDED	04SEP2012	BS	TK	-	-
-	-	-	-	-	-	-	-



- 7 TYCO ELECTRONICS TRADEMARK  
Tyco Electronics Zeichen
- 6 CAVITY NUMBER  
Kammernummer
- 5 WARPAGE TIL ±0.4 mm PERMISSABLE  
Verzug bis ±0.4 mm zulässig
- 4 MATERIAL: GLOW WIRE TEST 750 °C WITHOUT FLAME  
Material: Gluehdrahttest 750 °C ohne Flamme
- 3 RADII NOT SPECIFIED R=0.2  
Nicht bemaste Radien R=0.2
- 2 MATING PART: FASTIN-FASTON TAB HOUSING  
NO. 2120049  
Gegenstecker: FASTIN-FASTON Flachstecker-  
gehäuse Nr. 2120049
- 1 CAVITY DESIGNED FOR 2.8x0.8 FASTIN-FASTON  
CONTACT NO. 964131/964132  
Kammer ausgelegt fuer 2.8x0.8 FASTIN-FASTON  
Kontakte Nr. 964131/964132

0-2120050-1 AS SHOWN

THIS DRAWING IS A CONTROLLED DOCUMENT.		DMN H. Alzmann 13JUL2009	 TE Connectivity
DIMENSIONS: mm		CHK B. Schnaubelt 13JUL2009	
TOLERANCES UNLESS OTHERWISE SPECIFIED:		APVD T. Klenner 13JUL2009	NAME 2.8 X 0.8 FASTIN-FASTON TAB HSG 6 POSITION
0 PLC ±0.2	1 PLC ±0.2	PRODUCT SPEC	SIZE -
2 PLC ±0.2	3 PLC ±0.2	APPLICATION SPEC	CAGE CODE -
4 PLC ±0.2	ANGLES ±0.2	FINISH	DRAWING NO 00779
MATERIAL PA 6 GF 15	FINISH	WEIGHT 5.4 g	RESTRICTED TO -
Customer Drawing		SCALE 5:1	SHEET 1 OF 1
		REV B3	