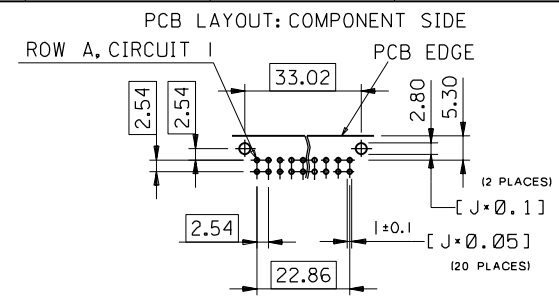
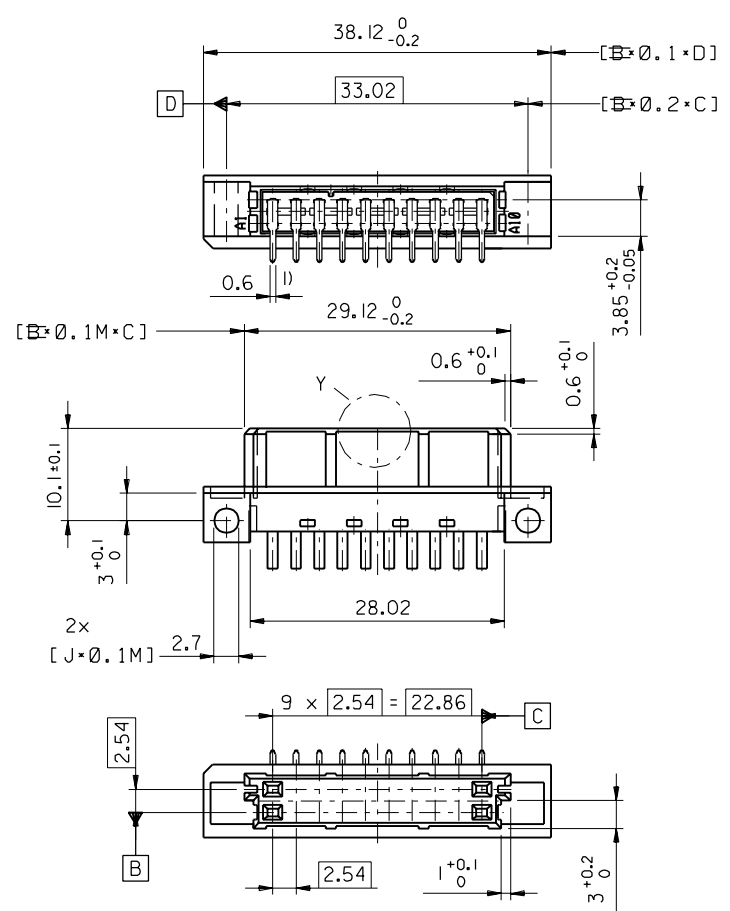
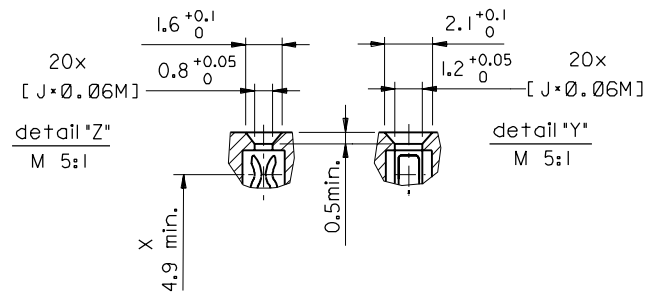
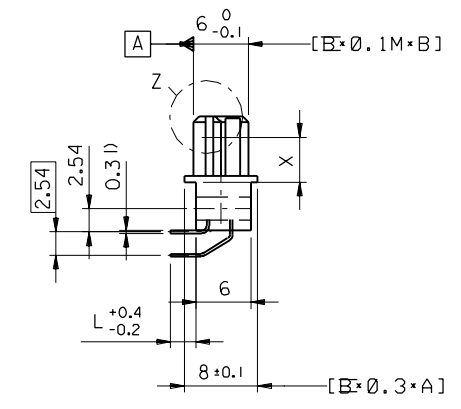


PART NO.
DWG. NO.



1) tails to fit in PC-board layout



ECN MG1998-2586 L +0.4-0.2, Lockbild 97-09-17 KN	REVISIONS FOR PREVIOUS REVISIONS SEE MRI LIST	UNLESS OTHERWISE SPECIFIED TOLERANCES: ANGULAR $\pm 2^\circ$	DRWG BY KN	SIGN	CAECAM PROJECT NAME 85050000 s31	THIS DRAWING CONTAINS INFORMATION THAT IS PROPRIETARY TO MOLEX INC. & SHOULD NOT BE USED WITHOUT WRITTEN PERMISSION	SH.	REV.
		INCH METRIC	CHK'D BY Ca	SIGN	TITLE 20 pos. female connector DIN 41612 style Q/3 Dimensions			
BI	LTR	3 PLACE \pm	APP'D BY JB	SIGN	MOLEX MOLEX EUROPE			
		2 PLACE \pm	SCALE 2:1	SIGN	SHEET NO. DATE 1 of 1 96/04/25			
		DRAFT WHERE APPLICABLE MUST REMAIN WITHIN DIMENSIONS			PART NO.		SIZE	
		DESIGN DIMENSION <input checked="" type="checkbox"/> MM			DWG NO.		SDA-85050-0003	
		EQUIVALENT DIMENSION <input type="checkbox"/> MM					B	
		IF TWO DIMENSIONS ARE SHOWN THE UPPER IS THE DESIGN DIMENSION, LOWER IS SECONDARY						

5

4

3

2

VIEW ON MATING SIDE

∞	B	B	B	B	B	B	B	B	B
◁	A	A	A	A	A	A	A	A	A

∞ ∞ ∞ ∞ ∞ ∞ ∞ ∞ ∞ ∞

A = 1 ∅ CONTACTS L-2,8
 B = 1 ∅ CONTACTS L-2,8

S = 2 ∅ TOTAL NUMBER OF CONTACTS

Marking	Standard
Performance level	G2/0 = Contact area perform. level2 / Termination fin
Flux proof	no
Fixing clip	no
Dimensions	SDA-85050-0003 sht.1
Technical Data	PS-85052-0001

B	G2/0
A	G2/0
Contact symbol	Perform. level
	Contact position number

ECN 2264 Product spec.	96-10-21 KN	REVISIONS		FOR PREVIOUS REVISIONS SEE MRI LIST	
		LTR			
UNLESS OTHERWISE SPECIFIED TOLERANCES: ANGULAR ±2° INCH METRIC		DRWG BY Ca	SIGN	REVISIONS	
3 PLACE ± • ±	±	CHK'D BY KN	SIGN	TITLE	
2 PLACE ± • ±	±	APP'D BY	SIGN	20 pos. female connector acc. DIN 41612 style Q/3 contacts arrangement	
1 PLACE ± • ±	±	SCALE	SIGN	CAD/CAM PROJECT NAME s85050000 s81	
DRAFT WHERE APPLICABLE MUST REMAIN WITHIN DIMENSIONS		DESIGN DIMENSION <input type="checkbox"/> MM <input type="checkbox"/> IN.	THIS DRAWING CONTAINS INFORMATION THAT IS PROPRIETARY TO MOLEX INC. & SHOULD NOT BE USED WITHOUT WRITTEN PERMISSION		
EQUIVALENT DIMENSION <input type="checkbox"/> MM <input type="checkbox"/> IN.		MOLEX EUROPE		SHEET NO.	DATE
IF TWO DIMENSIONS ARE SHOWN, THE UPPER IS THE DESIGN DIMENSION, LOWER IS SECONDARY		85050-0086		1 OF 1	96/06/13
		PART NO.		SIZE	
		SDA-85050-0086		A	

F

E

D

C

B

A

5

4

3

2