

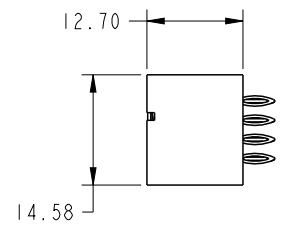
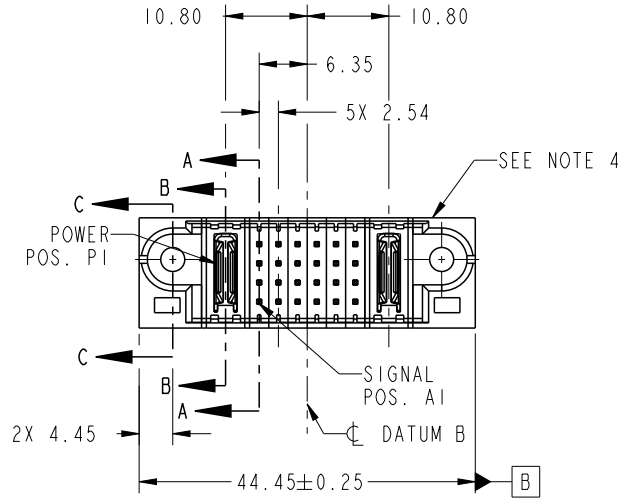
1

2

3

4

PRODUCT NO. 51710-054-- NOTE ③	ROWS DCBA	POWER		SIGNAL						POWER			
		E1	P1	1	2	3	4	5	6	P2	E2		



CODE	DIM "M" MATING LENGTH	CONTACT TYPE
PC	[N/A]	POWER
G	[6.86]	SIGNAL
K	[5.59]	SIGNAL



Copyright FCI.

spec ref	See Notes		
tolerance std	TOLERANCES UNLESS OTHERWISE SPECIFIED		
See Notes			
surface ✓	linear	0.X	±0.50
		0.XX	±0.25
		0.XXX	±0.10
	angular	0°	±2°

dr	X Q Wang	2012/08/02
eng	X Q Wang	2012/08/09
chr	-	-
appr	Pei-Ming Zheng	2012/08/09

projection	
product family	PwrBlade

size	A4
scale	1:1
ecn no	-
rel level	Released



title IP + 24S + IP
VERTICAL PRESS-FIT HEADER

dwg no	51710-054	rev	A
cat. no.	&model_name	Product - Customer Drw	sheet 1 of 4

2

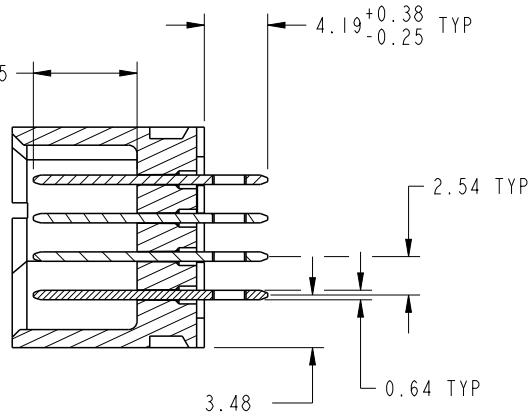
3

4

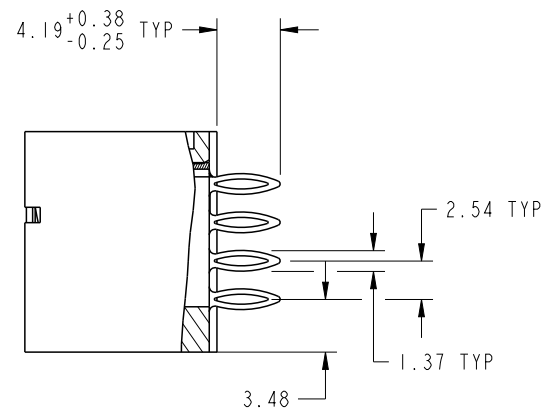
PRODUCT NUMBER

51710-054--
NOTE 3

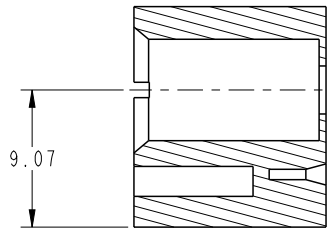
DIM "M" ±0.25



SECTION A-A
SCALE 2:1



SECTION B-B
SCALE 2:1



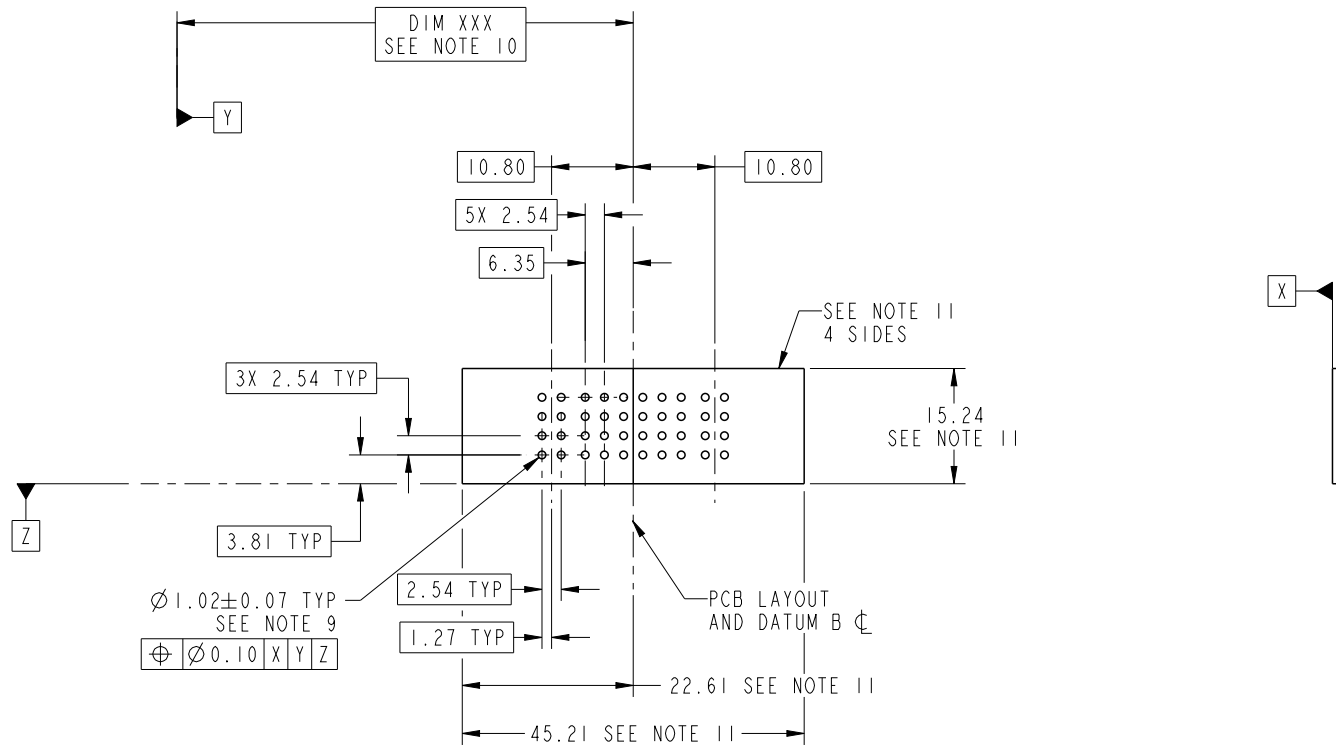
SECTION C-C
SCALE 2:1

dr	X Q Wang	2012/08/02	projection 	MM 	size	A4	scale	1:1
eng	X Q Wang	2012/08/09			ecn no	-		
chr	-	-			product family	PwrBlade	rel level	Released
appr	Pei-Ming Zheng	2012/08/09			title IP + 24S + IP VERTICAL PRESS-FIT HEADER	dwg no 51710-054	rev A	
www.fci.com		cat. no.	&model_name	Product - Customer Drw		sheet 2 of 4		



Copyright FCI.

PRODUCT NUMBER
51710-054__
NOTE 3



RECOMMENDED PCB LAYOUT

dr	X Q Wang	2012/08/02	projection 	MM 	size	A4	scale	1:1	
eng	X Q Wang	2012/08/09			ecn no	-			
chr	-	-			rel level	Released			
appr	Pei-Ming Zheng	2012/08/09	product family	PwrBlade					
	title	IP + 24S + IP VERTICAL PRESS-FIT HEADER			dwg no	51710-054		rev	A
www.fci.com	cat. no.	&model_name	Product - Customer Drw		sheet 3 of 4				

PRODUCT NUMBER

51710-054__
NOTE 3

NOTES:

1. DIMENSIONS AND TOLERANCES ARE IN ACCORDANCE WITH ASME Y14.5M, 1994 UNLESS OTHERWISE SPECIFIED.

CONNECTOR NOTES:

- ② HOUSING MATERIAL: UL 94 V-0 GLASS FILLED HIGH-TEMP THERMOPLASTIC
POWER CONTACT MATERIAL: COPPER ALLOY
SIGNAL PIN MATERIAL: COPPER ALLOY
- 3. SEE ITEM 3 & 4 IN PRINT 10064183 FOR PLATING SPEC OF 51710-054 AND 51710-054LF RESPECTIVELY.

④ MANUFACTURER'S NAME, DATE CODE AND OPTIONAL P/N TO APPEAR ON THIS SURFACE. THE MARK CAN BE OMITTED IF THERE IS NOT ENOUGH SPACE ON THIS SURFACE.

5. PRODUCT SPECIFICATION GS-12-149.
APPLICATION SPECIFICATION BUS-20-067.

6. PACKAGED IN TRAYS.

PCB NOTES:

- 7. ALL HOLE DIAMETERS ARE FINISHED HOLE SIZE.
- 8. MOUNTING HOLES, WHERE APPLICABLE, ARE UNPLATED.

⑨ $\varnothing 1.151 \pm 0.025$ DRILLED HOLES PLATED WITH 0.008 MIN SnPb OR Sn OVER .001 [0.03] TO 0.08 Cu PLATING TO ACHIEVE $\varnothing 1.02 \pm 0.07$ HOLE.

⑩ "DIM XXX" TO BE DETERMINED BY THE CUSTOMER.

⑪ CONNECTOR KEEP-OUT ZONE.

12. FOR PRESS FIT APPLICATION USE FCI CAM TOOL 430169-XXX.

dr	X Q Wang	2012/08/02	projection 	MM 	size	A4	scale	1:1
eng	X Q Wang	2012/08/09			ecn no	-		
chr	-	-			product family	PwrBlade	rel level	Released
appr	Pei-Ming Zheng	2012/08/09			title IP + 24S + IP VERTICAL PRESS-FIT HEADER	dwg no 51710-054	rev A	
www.fci.com		cat. no.	&model_name	Product - Customer Drw	sheet 4 of 4			



Copyright FCI.